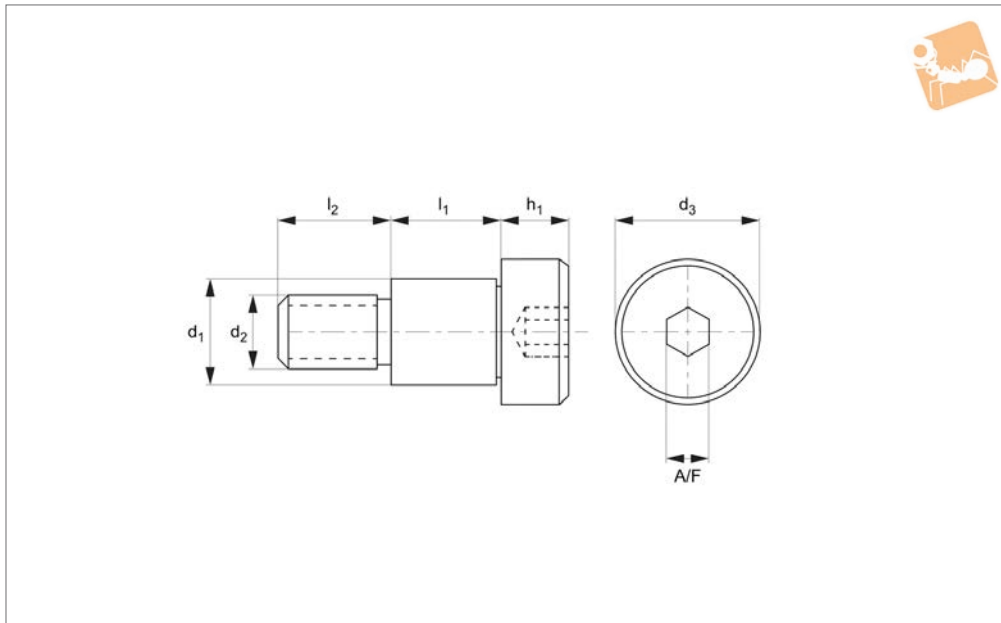




Shoulder Screws - Cap Head

hex drive - 303 stainless, blackened

Shoulder Screws



P0130.B2

SHOULDER SCREWS

Material

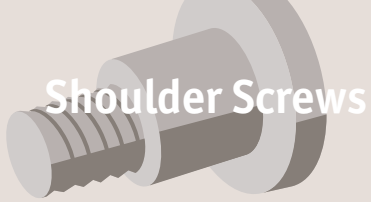
Stainless steel (AISI 303, 1.4305), black oxide coating. Tensile strength 550 N/mm². Proof stress min. 190 N/mm², austenitic stainless steel.

Technical Notes

303 series stainless steel provides good resistance to corrosion. It is mildly magnetic. For torx drive versions please see P0145.

Special lengths and diameters produced to drawings.

Order No.	d ₁ +0 -0.025	l ₁ +0.05 -0.0	d ₂	d ₃	l ₂	h ₁	A/F
P0130.030-002-B2	3	2	M 2	5	4	2	1.5
P0130.030-003-B2	3	3	M 2	5	4	2	1.5
P0130.030-004-B2	3	4	M 2	5	4	2	1.5
P0130.030-005-B2	3	5	M 2	5	4	2	1.5
P0130.030-006-B2	3	6	M 2	5	4	2	1.5
P0130.030-007-B2	3	7	M 2	5	4	2	1.5
P0130.030-008-B2	3	8	M 2	5	4	2	1.5
P0130.030-010-B2	3	10	M 2	5	4	2	1.5
P0130.030-012-B2	3	12	M 2	5	4	2	1.5
P0130.030-014-B2	3	14	M 2	5	4	2	1.5
P0130.030-016-B2	3	16	M 2	5	4	2	1.5
P0130.030-018-B2	3	18	M 2	5	4	2	1.5
P0130.030-020-B2	3	20	M 2	5	4	2	1.5
P0130.030-025-B2	3	25	M 2	5	4	2	1.5
P0130.040-002-B2	4	2	M 3	6	4	3	2.0
P0130.040-003-B2	4	3	M 3	6	4	3	2.0
P0130.040-004-B2	4	4	M 3	6	4	3	2.0
P0130.040-005-B2	4	5	M 3	6	4	3	2.0
P0130.040-006-B2	4	6	M 3	6	4	3	2.0
P0130.040-007-B2	4	7	M 3	6	4	3	2.0
P0130.040-008-B2	4	8	M 3	6	4	3	2.0
P0130.040-010-B2	4	10	M 3	6	4	3	2.0
P0130.040-012-B2	4	12	M 3	6	4	3	2.0
P0130.040-014-B2	4	14	M 3	6	4	3	2.0
P0130.040-016-B2	4	16	M 3	6	4	3	2.0
P0130.040-018-B2	4	18	M 3	6	4	3	2.0
P0130.040-020-B2	4	20	M 3	6	4	3	2.0
P0130.040-025-B2	4	25	M 3	6	4	3	2.0
P0130.040-030-B2	4	30	M 3	6	4	3	2.0
P0130.040-035-B2	4	35	M 3	6	4	3	2.0
P0130.040-040-B2	4	40	M 3	6	4	3	2.0
P0130.040-045-B2	4	45	M 3	6	4	3	2.0
P0130.040-050-B2	4	50	M 3	6	4	3	2.0



Shoulder Screws

Shoulder Screws - Cap Head hex drive - 303 stainless, blackened



SHOULDER SCREWS

Order No.	d_1 +0 -0.025	l_1 +0.05 -0.0	d_2	d_3	l_2	h_1	A/F
P0130.050-002-B2	5	2	M 4	8	5	4	2.5
P0130.050-003-B2	5	3	M 4	8	5	4	2.5
P0130.050-004-B2	5	4	M 4	8	5	4	2.5
P0130.050-005-B2	5	5	M 4	8	5	4	2.5
P0130.050-006-B2	5	6	M 4	8	5	4	2.5
P0130.050-007-B2	5	7	M 4	8	5	4	2.5
P0130.050-008-B2	5	8	M 4	8	5	4	2.5
P0130.050-010-B2	5	10	M 4	8	5	4	2.5
P0130.050-012-B2	5	12	M 4	8	5	4	2.5
P0130.050-014-B2	5	14	M 4	8	5	4	2.5
P0130.050-016-B2	5	16	M 4	8	5	4	2.5
P0130.050-018-B2	5	18	M 4	8	5	4	2.5
P0130.050-020-B2	5	20	M 4	8	5	4	2.5
P0130.050-025-B2	5	25	M 4	8	5	4	2.5
P0130.050-030-B2	5	30	M 4	8	5	4	2.5
P0130.050-035-B2	5	35	M 4	8	5	4	2.5
P0130.050-040-B2	5	40	M 4	8	5	4	2.5
P0130.050-045-B2	5	45	M 4	8	5	4	2.5
P0130.050-050-B2	5	50	M 4	8	5	4	2.5
P0130.060-002-B2	6	2	M 5	10	6	5	3.0
P0130.060-003-B2	6	3	M 5	10	6	5	3.0
P0130.060-004-B2	6	4	M 5	10	6	5	3.0
P0130.060-005-B2	6	5	M 5	10	6	5	3.0
P0130.060-006-B2	6	6	M 5	10	6	5	3.0
P0130.060-007-B2	6	7	M 5	10	6	5	3.0
P0130.060-008-B2	6	8	M 5	10	6	5	3.0
P0130.060-010-B2	6	10	M 5	10	6	5	3.0
P0130.060-012-B2	6	12	M 5	10	6	5	3.0
P0130.060-014-B2	6	14	M 5	10	6	5	3.0
P0130.060-016-B2	6	16	M 5	10	6	5	3.0
P0130.060-018-B2	6	18	M 5	10	6	5	3.0
P0130.060-020-B2	6	20	M 5	10	6	5	3.0
P0130.060-025-B2	6	25	M 5	10	6	5	3.0
P0130.060-030-B2	6	30	M 5	10	6	5	3.0
P0130.060-035-B2	6	35	M 5	10	6	5	3.0
P0130.060-040-B2	6	40	M 5	10	6	5	3.0
P0130.060-045-B2	6	45	M 5	10	6	5	3.0
P0130.060-050-B2	6	50	M 5	10	6	5	3.0
P0130.060-055-B2	6	55	M 5	10	6	5	3.0
P0130.060-060-B2	6	60	M 5	10	6	5	3.0
P0130.060-070-B2	6	70	M 5	10	6	5	3.0
P0130.060-080-B2	6	80	M 5	10	6	5	3.0
P0130.060-090-B2	6	90	M 5	10	6	5	3.0
P0130.060-100-B2	6	100	M 5	10	6	5	3.0
P0130.080-004-B2	8	4	M 6	12	11	6	4.0
P0130.080-005-B2	8	5	M 6	12	11	6	4.0
P0130.080-006-B2	8	6	M 6	12	11	6	4.0
P0130.080-007-B2	8	7	M 6	12	11	6	4.0
P0130.080-008-B2	8	8	M 6	12	11	6	4.0
P0130.080-010-B2	8	10	M 6	12	11	6	4.0
P0130.080-012-B2	8	12	M 6	12	11	6	4.0
P0130.080-014-B2	8	14	M 6	12	11	6	4.0
P0130.080-016-B2	8	16	M 6	12	11	6	4.0
P0130.080-018-B2	8	18	M 6	12	11	6	4.0
P0130.080-020-B2	8	20	M 6	12	11	6	4.0
P0130.080-025-B2	8	25	M 6	12	11	6	4.0
P0130.080-030-B2	8	30	M 6	12	11	6	4.0
P0130.080-035-B2	8	35	M 6	12	11	6	4.0
P0130.080-040-B2	8	40	M 6	12	11	6	4.0
P0130.080-045-B2	8	45	M 6	12	11	6	4.0
P0130.080-050-B2	8	50	M 6	12	11	6	4.0
P0130.080-055-B2	8	55	M 6	12	11	6	4.0
P0130.080-060-B2	8	60	M 6	12	11	6	4.0
P0130.080-065-B2	8	65	M 6	12	11	6	4.0
P0130.080-070-B2	8	70	M 6	12	11	6	4.0
P0130.080-075-B2	8	75	M 6	12	11	6	4.0
P0130.080-080-B2	8	80	M 6	12	11	6	4.0
P0130.080-090-B2	8	90	M 6	12	11	6	4.0



Shoulder Screws - Cap Head

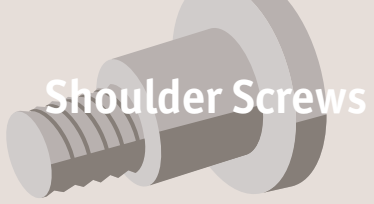
hex drive - 303 stainless, blackened

Shoulder Screws



Order No.	d ₁ +0 -0.025	l ₁ +0.05 -0.0	d ₂	d ₃	l ₂	h ₁	A/F
P0130.080-100-B2	8	100	M 6	12	11	6	4.0
P0130.100-008-B6	10	8	M 6	14	11	6	4.0
P0130.100-010-B6	10	10	M 6	14	11	6	4.0
P0130.100-012-B6	10	12	M 6	14	11	6	4.0
P0130.100-016-B6	10	16	M 6	14	11	6	4.0
P0130.100-008-B8	10	8	M 8	14	12	7	5.0
P0130.100-010-B8	10	10	M 8	14	12	7	5.0
P0130.100-012-B8	10	12	M 8	14	12	7	5.0
P0130.100-014-B8	10	14	M 8	14	12	7	5.0
P0130.100-016-B8	10	16	M 8	14	12	7	5.0
P0130.100-018-B8	10	18	M 8	14	12	7	5.0
P0130.100-020-B8	10	20	M 8	14	12	7	5.0
P0130.100-025-B8	10	25	M 8	14	12	7	5.0
P0130.100-030-B8	10	30	M 8	14	12	7	5.0
P0130.100-035-B8	10	35	M 8	14	12	7	5.0
P0130.100-040-B8	10	40	M 8	14	12	7	5.0
P0130.100-045-B8	10	45	M 8	14	12	7	5.0
P0130.100-050-B8	10	50	M 8	14	12	7	5.0
P0130.100-055-B8	10	55	M 8	14	12	7	5.0
P0130.100-060-B8	10	60	M 8	14	12	7	5.0
P0130.100-065-B8	10	65	M 8	14	12	7	5.0
P0130.100-070-B8	10	70	M 8	14	12	7	5.0
P0130.100-080-B8	10	80	M 8	14	12	7	5.0
P0130.100-090-B8	10	90	M 8	14	12	7	5.0
P0130.100-100-B8	10	100	M 8	14	12	7	5.0
P0130.120-008-B2	12	8	M 10	20	16	8	6.0
P0130.120-010-B2	12	10	M 10	20	16	8	6.0
P0130.120-012-B2	12	12	M 10	20	16	8	6.0
P0130.120-014-B2	12	14	M 10	20	16	8	6.0
P0130.120-016-B2	12	16	M 10	20	16	8	6.0
P0130.120-018-B2	12	18	M 10	20	16	8	6.0
P0130.120-020-B2	12	20	M 10	20	16	8	6.0
P0130.120-025-B2	12	25	M 10	20	16	8	6.0
P0130.120-030-B2	12	30	M 10	20	16	8	6.0
P0130.120-035-B2	12	35	M 10	20	16	8	6.0
P0130.120-040-B2	12	40	M 10	20	16	8	6.0
P0130.120-045-B2	12	45	M 10	20	16	8	6.0
P0130.120-050-B2	12	50	M 10	20	16	8	6.0
P0130.120-055-B2	12	55	M 10	20	16	8	6.0
P0130.120-060-B2	12	60	M 10	20	16	8	6.0
P0130.120-065-B2	12	65	M 10	20	16	8	6.0
P0130.120-070-B2	12	70	M 10	20	16	8	6.0
P0130.120-075-B2	12	75	M 10	20	16	8	6.0
P0130.120-080-B2	12	80	M 10	20	16	8	6.0
P0130.120-090-B2	12	90	M 10	20	16	8	6.0
P0130.120-100-B2	12	100	M 10	20	16	8	6.0
P0130.160-025-B2	16	25	M 12	24	18	11	8.0
P0130.160-030-B2	16	30	M 12	24	18	11	8.0
P0130.160-035-B2	16	35	M 12	24	18	11	8.0
P0130.160-040-B2	16	40	M 12	24	18	11	8.0
P0130.160-045-B2	16	45	M 12	24	18	11	8.0
P0130.160-050-B2	16	50	M 12	24	18	11	8.0
P0130.160-055-B2	16	55	M 12	24	18	11	8.0
P0130.160-060-B2	16	60	M 12	24	18	11	8.0
P0130.160-065-B2	16	65	M 12	24	18	11	8.0
P0130.160-070-B2	16	70	M 12	24	18	11	8.0
P0130.160-075-B2	16	75	M 12	24	18	11	8.0
P0130.160-080-B2	16	80	M 12	24	18	11	8.0
P0130.160-090-B2	16	90	M 12	24	18	11	8.0
P0130.160-100-B2	16	100	M 12	24	18	11	8.0
P0130.200-030-B2	20	30	M 16	30	22	14	10.0
P0130.200-035-B2	20	35	M 16	30	22	14	10.0
P0130.200-040-B2	20	40	M 16	30	22	14	10.0
P0130.200-045-B2	20	45	M 16	30	22	14	10.0
P0130.200-050-B2	20	50	M 16	30	22	14	10.0
P0130.200-055-B2	20	55	M 16	30	22	14	10.0
P0130.200-060-B2	20	60	M 16	30	22	14	10.0
P0130.200-065-B2	20	65	M 16	30	22	14	10.0

SHOULDER SCREWS



Shoulder Screws

Shoulder Screws - Cap Head

hex drive - 303 stainless, blackened



Order No.	d_1 +0 -0.025	l_1 +0.05 -0.0	d_2	d_3	l_2	h_1	A/F
P0130.200-070-B2	20	70	M 16	30	22	14	10.0
P0130.200-075-B2	20	75	M 16	30	22	14	10.0
P0130.200-080-B2	20	80	M 16	30	22	14	10.0
P0130.200-090-B2	20	90	M 16	30	22	14	10.0
P0130.200-100-B2	20	100	M 16	30	22	14	10.0

SHOULDER SCREWS