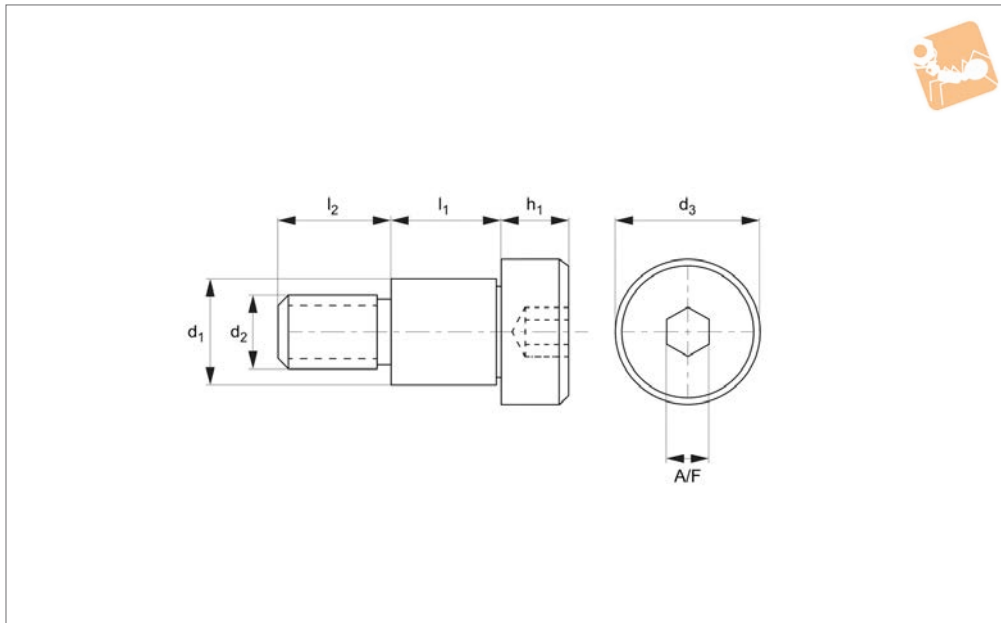




Shoulder Screws - Cap Head

hex drive - grade 2 titanium

Shoulder Screws



P0130.T2

SHOULDER SCREWS

Material

Titanium (ASTM B348 grade 2, pure titanium). Tensile strength 345-450 N/mm², yield strength 270 N/mm², hardness 160HB/30Rc.

Technical Notes

Titanium has a lower density than stainless

steel and excellent corrosion resistance properties.

Titanium has a high strength:weight ratio - per unit weight, titanium is 45% stronger than stainless steel. Ideal for use in light-weight applications in the automobile, aerospace, medical and robotic industries.

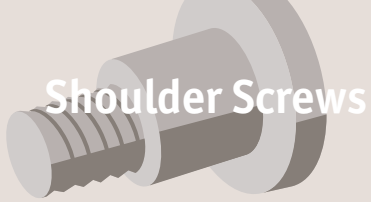
T5 also available on request.

Replace -T2 with -T5 at the end of part number.

Tips

Special lengths and diameters produced to drawings.

| Order No. | d_1 +0.000 -0.025 | l_1 +0.05 -0.00 | d_2 | d_3 | l_2 | h_1 | A/F |
|------------------|------------------------|----------------------|-------|-------|-------|-------|-----|
| P0130.030-002-T2 | 3 | 2 | M 2 | 5 | 4 | 2 | 1.5 |
| P0130.030-003-T2 | 3 | 3 | M 2 | 5 | 4 | 2 | 1.5 |
| P0130.030-004-T2 | 3 | 4 | M 2 | 5 | 4 | 2 | 1.5 |
| P0130.030-005-T2 | 3 | 5 | M 2 | 5 | 4 | 2 | 1.5 |
| P0130.030-006-T2 | 3 | 6 | M 2 | 5 | 4 | 2 | 1.5 |
| P0130.030-007-T2 | 3 | 7 | M 2 | 5 | 4 | 2 | 1.5 |
| P0130.030-008-T2 | 3 | 8 | M 2 | 5 | 4 | 2 | 1.5 |
| P0130.030-010-T2 | 3 | 10 | M 2 | 5 | 4 | 2 | 1.5 |
| P0130.030-012-T2 | 3 | 12 | M 2 | 5 | 4 | 2 | 1.5 |
| P0130.030-014-T2 | 3 | 14 | M 2 | 5 | 4 | 2 | 1.5 |
| P0130.030-016-T2 | 3 | 16 | M 2 | 5 | 4 | 2 | 1.5 |
| P0130.030-018-T2 | 3 | 18 | M 2 | 5 | 4 | 2 | 1.5 |
| P0130.030-020-T2 | 3 | 20 | M 2 | 5 | 4 | 2 | 1.5 |
| P0130.030-025-T2 | 3 | 25 | M 2 | 5 | 4 | 2 | 1.5 |
| P0130.040-002-T2 | 4 | 2 | M 3 | 6 | 4 | 3 | 2.0 |
| P0130.040-003-T2 | 4 | 3 | M 3 | 6 | 4 | 3 | 2.0 |
| P0130.040-004-T2 | 4 | 4 | M 3 | 6 | 4 | 3 | 2.0 |
| P0130.040-005-T2 | 4 | 5 | M 3 | 6 | 4 | 3 | 2.0 |
| P0130.040-006-T2 | 4 | 6 | M 3 | 6 | 4 | 3 | 2.0 |
| P0130.040-007-T2 | 4 | 7 | M 3 | 6 | 4 | 3 | 2.0 |
| P0130.040-008-T2 | 4 | 8 | M 3 | 6 | 4 | 3 | 2.0 |
| P0130.040-010-T2 | 4 | 10 | M 3 | 6 | 4 | 3 | 2.0 |
| P0130.040-012-T2 | 4 | 12 | M 3 | 6 | 4 | 3 | 2.0 |
| P0130.040-014-T2 | 4 | 14 | M 3 | 6 | 4 | 3 | 2.0 |
| P0130.040-016-T2 | 4 | 16 | M 3 | 6 | 4 | 3 | 2.0 |
| P0130.040-018-T2 | 4 | 18 | M 3 | 6 | 4 | 3 | 2.0 |
| P0130.040-020-T2 | 4 | 20 | M 3 | 6 | 4 | 3 | 2.0 |
| P0130.040-025-T2 | 4 | 25 | M 3 | 6 | 4 | 3 | 2.0 |
| P0130.040-030-T2 | 4 | 30 | M 3 | 6 | 4 | 3 | 2.0 |
| P0130.040-035-T2 | 4 | 35 | M 3 | 6 | 4 | 3 | 2.0 |



Shoulder Screws

Shoulder Screws - Cap Head

hex drive - grade 2 titanium



SHOULDER SCREWS

| Order No. | d ₁ +0.000 -0.025 | l ₁ +0.05 -0.00 | d ₂ | d ₃ | l ₂ | h ₁ | A/F |
|------------------|---------------------------------|-------------------------------|----------------|----------------|----------------|----------------|-----|
| P0130.040-040-T2 | 4 | 40 | M 3 | 6 | 4 | 3 | 2.0 |
| P0130.040-045-T2 | 4 | 45 | M 3 | 6 | 4 | 3 | 2.0 |
| P0130.040-050-T2 | 4 | 50 | M 3 | 6 | 4 | 3 | 2.0 |
| P0130.050-002-T2 | 5 | 2 | M 4 | 8 | 5 | 4 | 2.5 |
| P0130.050-003-T2 | 5 | 3 | M 4 | 8 | 5 | 4 | 2.5 |
| P0130.050-004-T2 | 5 | 4 | M 4 | 8 | 5 | 4 | 2.5 |
| P0130.050-005-T2 | 5 | 5 | M 4 | 8 | 5 | 4 | 2.5 |
| P0130.050-006-T2 | 5 | 6 | M 4 | 8 | 5 | 4 | 2.5 |
| P0130.050-007-T2 | 5 | 7 | M 4 | 8 | 5 | 4 | 2.5 |
| P0130.050-008-T2 | 5 | 8 | M 4 | 8 | 5 | 4 | 2.5 |
| P0130.050-010-T2 | 5 | 10 | M 4 | 8 | 5 | 4 | 2.5 |
| P0130.050-012-T2 | 5 | 12 | M 4 | 8 | 5 | 4 | 2.5 |
| P0130.050-014-T2 | 5 | 14 | M 4 | 8 | 5 | 4 | 2.5 |
| P0130.050-016-T2 | 5 | 16 | M 4 | 8 | 5 | 4 | 2.5 |
| P0130.050-018-T2 | 5 | 18 | M 4 | 8 | 5 | 4 | 2.5 |
| P0130.050-020-T2 | 5 | 20 | M 4 | 8 | 5 | 4 | 2.5 |
| P0130.050-025-T2 | 5 | 25 | M 4 | 8 | 5 | 4 | 2.5 |
| P0130.050-030-T2 | 5 | 30 | M 4 | 8 | 5 | 4 | 2.5 |
| P0130.050-035-T2 | 5 | 35 | M 4 | 8 | 5 | 4 | 2.5 |
| P0130.050-040-T2 | 5 | 40 | M 4 | 8 | 5 | 4 | 2.5 |
| P0130.050-045-T2 | 5 | 45 | M 4 | 8 | 5 | 4 | 2.5 |
| P0130.050-050-T2 | 5 | 50 | M 4 | 8 | 5 | 4 | 2.5 |
| P0130.060-002-T2 | 6 | 2 | M 5 | 10 | 6 | 5 | 3.0 |
| P0130.060-003-T2 | 6 | 3 | M 5 | 10 | 6 | 5 | 3.0 |
| P0130.060-004-T2 | 6 | 4 | M 5 | 10 | 6 | 5 | 3.0 |
| P0130.060-005-T2 | 6 | 5 | M 5 | 10 | 6 | 5 | 3.0 |
| P0130.060-006-T2 | 6 | 6 | M 5 | 10 | 6 | 5 | 3.0 |
| P0130.060-007-T2 | 6 | 7 | M 5 | 10 | 6 | 5 | 3.0 |
| P0130.060-008-T2 | 6 | 8 | M 5 | 10 | 6 | 5 | 3.0 |
| P0130.060-010-T2 | 6 | 10 | M 5 | 10 | 6 | 5 | 3.0 |
| P0130.060-012-T2 | 6 | 12 | M 5 | 10 | 6 | 5 | 3.0 |
| P0130.060-014-T2 | 6 | 14 | M 5 | 10 | 6 | 5 | 3.0 |
| P0130.060-016-T2 | 6 | 16 | M 5 | 10 | 6 | 5 | 3.0 |
| P0130.060-018-T2 | 6 | 18 | M 5 | 10 | 6 | 5 | 3.0 |
| P0130.060-020-T2 | 6 | 20 | M 5 | 10 | 6 | 5 | 3.0 |
| P0130.060-025-T2 | 6 | 25 | M 5 | 10 | 6 | 5 | 3.0 |
| P0130.060-030-T2 | 6 | 30 | M 5 | 10 | 6 | 5 | 3.0 |
| P0130.060-035-T2 | 6 | 35 | M 5 | 10 | 6 | 5 | 3.0 |
| P0130.060-040-T2 | 6 | 40 | M 5 | 10 | 6 | 5 | 3.0 |
| P0130.060-045-T2 | 6 | 45 | M 5 | 10 | 6 | 5 | 3.0 |
| P0130.060-050-T2 | 6 | 50 | M 5 | 10 | 6 | 5 | 3.0 |
| P0130.060-055-T2 | 6 | 55 | M 5 | 10 | 6 | 5 | 3.0 |
| P0130.060-060-T2 | 6 | 60 | M 5 | 10 | 6 | 5 | 3.0 |
| P0130.060-070-T2 | 6 | 70 | M 5 | 10 | 6 | 5 | 3.0 |
| P0130.060-080-T2 | 6 | 80 | M 5 | 10 | 6 | 5 | 3.0 |
| P0130.060-090-T2 | 6 | 90 | M 5 | 10 | 6 | 5 | 3.0 |
| P0130.060-100-T2 | 6 | 100 | M 5 | 10 | 6 | 5 | 3.0 |
| P0130.080-004-T2 | 8 | 4 | M 6 | 12 | 11 | 6 | 4.0 |
| P0130.080-005-T2 | 8 | 5 | M 6 | 12 | 11 | 6 | 4.0 |
| P0130.080-006-T2 | 8 | 6 | M 6 | 12 | 11 | 6 | 4.0 |
| P0130.080-007-T2 | 8 | 7 | M 6 | 12 | 11 | 6 | 4.0 |
| P0130.080-008-T2 | 8 | 8 | M 6 | 12 | 11 | 6 | 4.0 |
| P0130.080-010-T2 | 8 | 10 | M 6 | 12 | 11 | 6 | 4.0 |
| P0130.080-012-T2 | 8 | 12 | M 6 | 12 | 11 | 6 | 4.0 |
| P0130.080-014-T2 | 8 | 14 | M 6 | 12 | 11 | 6 | 4.0 |
| P0130.080-016-T2 | 8 | 16 | M 6 | 12 | 11 | 6 | 4.0 |
| P0130.080-018-T2 | 8 | 18 | M 6 | 12 | 11 | 6 | 4.0 |
| P0130.080-020-T2 | 8 | 20 | M 6 | 12 | 11 | 6 | 4.0 |
| P0130.080-025-T2 | 8 | 25 | M 6 | 12 | 11 | 6 | 4.0 |
| P0130.080-030-T2 | 8 | 30 | M 6 | 12 | 11 | 6 | 4.0 |
| P0130.080-035-T2 | 8 | 35 | M 6 | 12 | 11 | 6 | 4.0 |
| P0130.080-040-T2 | 8 | 40 | M 6 | 12 | 11 | 6 | 4.0 |
| P0130.080-045-T2 | 8 | 45 | M 6 | 12 | 11 | 6 | 4.0 |
| P0130.080-050-T2 | 8 | 50 | M 6 | 12 | 11 | 6 | 4.0 |
| P0130.080-055-T2 | 8 | 55 | M 6 | 12 | 11 | 6 | 4.0 |
| P0130.080-060-T2 | 8 | 60 | M 6 | 12 | 11 | 6 | 4.0 |
| P0130.080-065-T2 | 8 | 65 | M 6 | 12 | 11 | 6 | 4.0 |
| P0130.080-070-T2 | 8 | 70 | M 6 | 12 | 11 | 6 | 4.0 |



Shoulder Screws - Cap Head

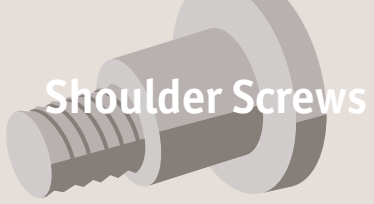
hex drive - grade 2 titanium

Shoulder Screws



| Order No. | d ₁ +0.000 -0.025 | l ₁ +0.05 -0.00 | d ₂ | d ₃ | l ₂ | h ₁ | A/F |
|------------------|---------------------------------|-------------------------------|----------------|----------------|----------------|----------------|------|
| P0130.080-075-T2 | 8 | 75 | M 6 | 12 | 11 | 6 | 4.0 |
| P0130.080-080-T2 | 8 | 80 | M 6 | 12 | 11 | 6 | 4.0 |
| P0130.080-090-T2 | 8 | 90 | M 6 | 12 | 11 | 6 | 4.0 |
| P0130.080-100-T2 | 8 | 100 | M 6 | 12 | 11 | 6 | 4.0 |
| P0130.100-008-T2 | 10 | 8 | M 8 | 14 | 12 | 7 | 5.0 |
| P0130.100-010-T2 | 10 | 10 | M 8 | 14 | 12 | 7 | 5.0 |
| P0130.100-012-T2 | 10 | 12 | M 8 | 14 | 12 | 7 | 5.0 |
| P0130.100-014-T2 | 10 | 14 | M 8 | 14 | 12 | 7 | 5.0 |
| P0130.100-016-T2 | 10 | 16 | M 8 | 14 | 12 | 7 | 5.0 |
| P0130.100-018-T2 | 10 | 18 | M 8 | 14 | 12 | 7 | 5.0 |
| P0130.100-020-T2 | 10 | 20 | M 8 | 14 | 12 | 7 | 5.0 |
| P0130.100-025-T2 | 10 | 25 | M 8 | 14 | 12 | 7 | 5.0 |
| P0130.100-030-T2 | 10 | 30 | M 8 | 14 | 12 | 7 | 5.0 |
| P0130.100-035-T2 | 10 | 35 | M 8 | 14 | 12 | 7 | 5.0 |
| P0130.100-040-T2 | 10 | 40 | M 8 | 14 | 12 | 7 | 5.0 |
| P0130.100-045-T2 | 10 | 45 | M 8 | 14 | 12 | 7 | 5.0 |
| P0130.100-050-T2 | 10 | 50 | M 8 | 14 | 12 | 7 | 5.0 |
| P0130.100-055-T2 | 10 | 55 | M 8 | 14 | 12 | 7 | 5.0 |
| P0130.100-060-T2 | 10 | 60 | M 8 | 14 | 12 | 7 | 5.0 |
| P0130.100-065-T2 | 10 | 65 | M 8 | 14 | 12 | 7 | 5.0 |
| P0130.100-070-T2 | 10 | 70 | M 8 | 14 | 12 | 7 | 5.0 |
| P0130.100-080-T2 | 10 | 80 | M 8 | 14 | 12 | 7 | 5.0 |
| P0130.100-090-T2 | 10 | 90 | M 8 | 14 | 12 | 7 | 5.0 |
| P0130.100-100-T2 | 10 | 100 | M 8 | 14 | 12 | 7 | 5.0 |
| P0130.120-008-T2 | 12 | 8 | M 10 | 20 | 16 | 8 | 6.0 |
| P0130.120-010-T2 | 12 | 10 | M 10 | 20 | 16 | 8 | 6.0 |
| P0130.120-012-T2 | 12 | 12 | M 10 | 20 | 16 | 8 | 6.0 |
| P0130.120-014-T2 | 12 | 14 | M 10 | 20 | 16 | 8 | 6.0 |
| P0130.120-016-T2 | 12 | 16 | M 10 | 20 | 16 | 8 | 6.0 |
| P0130.120-018-T2 | 12 | 18 | M 10 | 20 | 16 | 8 | 6.0 |
| P0130.120-020-T2 | 12 | 20 | M 10 | 20 | 16 | 8 | 6.0 |
| P0130.120-025-T2 | 12 | 25 | M 10 | 20 | 16 | 8 | 6.0 |
| P0130.120-030-T2 | 12 | 30 | M 10 | 20 | 16 | 8 | 6.0 |
| P0130.120-035-T2 | 12 | 35 | M 10 | 20 | 16 | 8 | 6.0 |
| P0130.120-040-T2 | 12 | 40 | M 10 | 20 | 16 | 8 | 6.0 |
| P0130.120-045-T2 | 12 | 45 | M 10 | 20 | 16 | 8 | 6.0 |
| P0130.120-050-T2 | 12 | 50 | M 10 | 20 | 16 | 8 | 6.0 |
| P0130.120-055-T2 | 12 | 55 | M 10 | 20 | 16 | 8 | 6.0 |
| P0130.120-060-T2 | 12 | 60 | M 10 | 20 | 16 | 8 | 6.0 |
| P0130.120-065-T2 | 12 | 65 | M 10 | 20 | 16 | 8 | 6.0 |
| P0130.120-070-T2 | 12 | 70 | M 10 | 20 | 16 | 8 | 6.0 |
| P0130.120-075-T2 | 12 | 75 | M 10 | 20 | 16 | 8 | 6.0 |
| P0130.120-080-T2 | 12 | 80 | M 10 | 20 | 16 | 8 | 6.0 |
| P0130.120-090-T2 | 12 | 90 | M 10 | 20 | 16 | 8 | 6.0 |
| P0130.120-100-T2 | 12 | 100 | M 10 | 20 | 16 | 8 | 6.0 |
| P0130.160-025-T2 | 16 | 25 | M 12 | 24 | 18 | 11 | 8.0 |
| P0130.160-030-T2 | 16 | 30 | M 12 | 24 | 18 | 11 | 8.0 |
| P0130.160-035-T2 | 16 | 35 | M 12 | 24 | 18 | 11 | 8.0 |
| P0130.160-040-T2 | 16 | 40 | M 12 | 24 | 18 | 11 | 8.0 |
| P0130.160-045-T2 | 16 | 45 | M 12 | 24 | 18 | 11 | 8.0 |
| P0130.160-050-T2 | 16 | 50 | M 12 | 24 | 18 | 11 | 8.0 |
| P0130.160-055-T2 | 16 | 55 | M 12 | 24 | 18 | 11 | 8.0 |
| P0130.160-060-T2 | 16 | 60 | M 12 | 24 | 18 | 11 | 8.0 |
| P0130.160-065-T2 | 16 | 65 | M 12 | 24 | 18 | 11 | 8.0 |
| P0130.160-070-T2 | 16 | 70 | M 12 | 24 | 18 | 11 | 8.0 |
| P0130.160-075-T2 | 16 | 75 | M 12 | 24 | 18 | 11 | 8.0 |
| P0130.160-080-T2 | 16 | 80 | M 12 | 24 | 18 | 11 | 8.0 |
| P0130.160-090-T2 | 16 | 90 | M 12 | 24 | 18 | 11 | 8.0 |
| P0130.160-100-T2 | 16 | 100 | M 12 | 24 | 18 | 11 | 8.0 |
| P0130.200-030-T2 | 20 | 30 | M 16 | 30 | 22 | 14 | 10.0 |
| P0130.200-035-T2 | 20 | 35 | M 16 | 30 | 22 | 14 | 10.0 |
| P0130.200-040-T2 | 20 | 40 | M 16 | 30 | 22 | 14 | 10.0 |
| P0130.200-045-T2 | 20 | 45 | M 16 | 30 | 22 | 14 | 10.0 |
| P0130.200-050-T2 | 20 | 50 | M 16 | 30 | 22 | 14 | 10.0 |
| P0130.200-055-T2 | 20 | 55 | M 16 | 30 | 22 | 14 | 10.0 |
| P0130.200-060-T2 | 20 | 60 | M 16 | 30 | 22 | 14 | 10.0 |
| P0130.200-065-T2 | 20 | 65 | M 16 | 30 | 22 | 14 | 10.0 |
| P0130.200-070-T2 | 20 | 70 | M 16 | 30 | 22 | 14 | 10.0 |

SHOULDER SCREWS



Shoulder Screws

Shoulder Screws - Cap Head hex drive - grade 2 titanium



| Order No. | d_1 +0.000 -0.025 | l_1 +0.05 -0.00 | d_2 | d_3 | l_2 | h_1 | A/F |
|------------------|------------------------|----------------------|-------|-------|-------|-------|------|
| P0130.200-075-T2 | 20 | 75 | M 16 | 30 | 22 | 14 | 10.0 |
| P0130.200-080-T2 | 20 | 80 | M 16 | 30 | 22 | 14 | 10.0 |
| P0130.200-090-T2 | 20 | 90 | M 16 | 30 | 22 | 14 | 10.0 |
| P0130.200-100-T2 | 20 | 100 | M 16 | 30 | 22 | 14 | 10.0 |

SHOULDER SCREWS