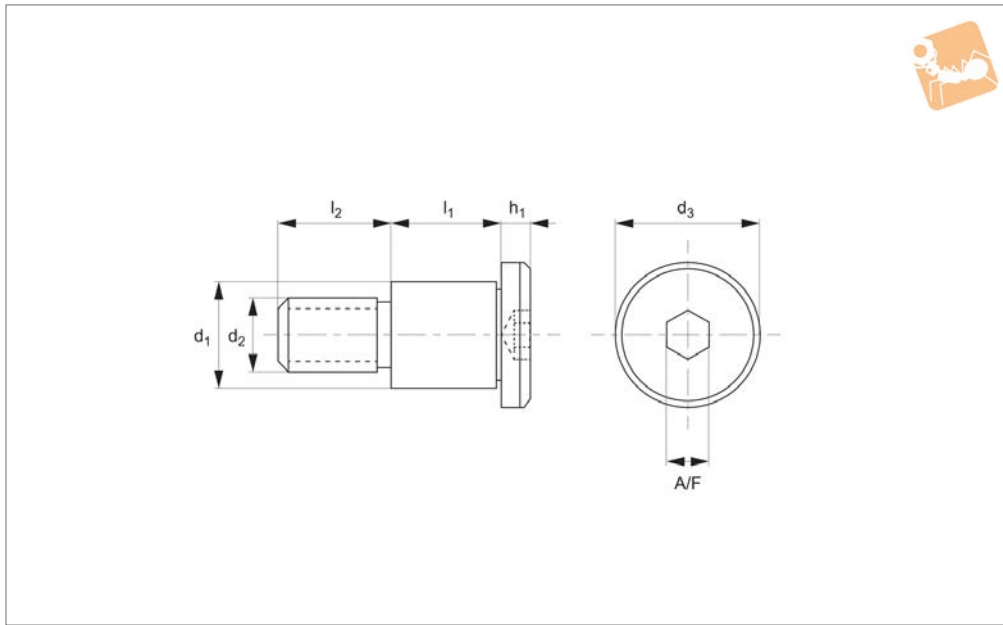




Ultra Low Head - Shoulder Screw

hex drive - 316 stainless

Shoulder Screws



P0134.A4

SHOULDER SCREWS

Material

Stainless steel (AISI 316, 1.440). Tensile strength 480 N/mm². Proof stress min. 200 N/mm², austenitic stainless steel.

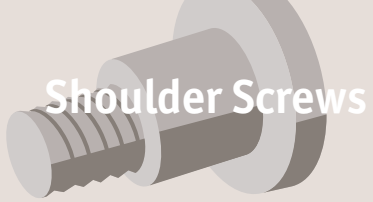
screws have a head height approximately 1/3 that of normal shoulder screws (P0130).

316 Series stainless have excellent corrosion resistance. Stainless steel suitable for marine and other applications.

Technical Notes

These very low profile socket shoulder

Order No.	d ₁ +0 -0.025	l ₁ +0.05 -0.0	d ₂	d ₃	l ₂	h ₁	A/F
P0134.040-004-A4	4	4	M 3	6	4	1.3	2
P0134.040-005-A4	4	5	M 3	6	4	1.3	2
P0134.040-006-A4	4	6	M 3	6	4	1.3	2
P0134.040-008-A4	4	8	M 3	6	4	1.3	2
P0134.040-010-A4	4	10	M 3	6	4	1.3	2
P0134.040-012-A4	4	12	M 3	6	4	1.3	2
P0134.040-016-A4	4	16	M 3	6	4	1.3	2
P0134.040-020-A4	4	20	M 3	6	4	1.3	2
P0134.050-004-A4	5	4	M 4	9	5	1.3	2.5
P0134.050-005-A4	5	5	M 4	9	5	1.3	2.5
P0134.050-006-A4	5	6	M 4	9	5	1.3	2.5
P0134.050-008-A4	5	8	M 4	9	5	1.3	2.5
P0134.050-010-A4	5	10	M 4	9	5	1.3	2.5
P0134.050-012-A4	5	12	M 4	9	5	1.3	2.5
P0134.050-016-A4	5	16	M 4	9	5	1.3	2.5
P0134.050-020-A4	5	20	M 4	9	5	1.3	2.5
P0134.050-025-A4	5	25	M 4	9	5	1.3	2.5
P0134.050-030-A4	5	30	M 4	9	5	1.3	2.5
P0134.050-040-A4	5	40	M 4	9	5	1.3	2.5
P0134.060-004-A4	6	4	M 5	10	6	1.7	3
P0134.060-005-A4	6	5	M 5	10	6	1.7	3
P0134.060-006-A4	6	6	M 5	10	6	1.7	3
P0134.060-008-A4	6	8	M 5	10	6	1.7	3
P0134.060-010-A4	6	10	M 5	10	6	1.7	3
P0134.060-012-A4	6	12	M 5	10	6	1.7	3
P0134.060-016-A4	6	16	M 5	10	6	1.7	3
P0134.060-020-A4	6	20	M 5	10	6	1.7	3
P0134.060-025-A4	6	25	M 5	10	6	1.7	3
P0134.060-030-A4	6	30	M 5	10	6	1.7	3
P0134.060-040-A4	6	40	M 5	10	6	1.7	3
P0134.080-006-A4	8	6	M 6	13	11	2.0	4



Shoulder Screws

Ultra Low Head - Shoulder Screw

hex drive - 316 stainless



SHOULDER SCREWS

Order No.	d ₁ +0 -0.025	l ₁ +0.05 -0.0	d ₂	d ₃	l ₂	h ₁	A/F
P0134.080-008-A4	8	8	M 6	13	11	2.0	4
P0134.080-010-A4	8	10	M 6	13	11	2.0	4
P0134.080-012-A4	8	12	M 6	13	11	2.0	4
P0134.080-016-A4	8	16	M 6	13	11	2.0	4
P0134.080-020-A4	8	20	M 6	13	11	2.0	4
P0134.080-025-A4	8	25	M 6	13	11	2.0	4
P0134.080-030-A4	8	30	M 6	13	11	2.0	4
P0134.080-040-A4	8	40	M 6	13	11	2.0	4
P0134.100-008-A4	10	8	M 8	14	12	2.7	5
P0134.100-010-A4	10	10	M 8	14	12	2.7	5
P0134.100-012-A4	10	12	M 8	14	12	2.7	5
P0134.100-016-A4	10	16	M 8	14	12	2.7	5
P0134.100-020-A4	10	20	M 8	14	12	2.7	5
P0134.100-025-A4	10	25	M 8	14	12	2.7	5
P0134.100-030-A4	10	30	M 8	14	12	2.7	5
P0134.100-040-A4	10	40	M 8	14	12	2.7	5
P0134.100-050-A4	10	50	M 8	14	12	2.7	5
P0134.120-010-A4	12	10	M10	20	16	3.5	6
P0134.120-012-A4	12	12	M10	20	16	3.5	6
P0134.120-016-A4	12	16	M10	20	16	3.5	6
P0134.120-020-A4	12	20	M10	20	16	3.5	6
P0134.120-025-A4	12	25	M10	20	16	3.5	6
P0134.120-030-A4	12	30	M10	20	16	3.5	6
P0134.120-040-A4	12	40	M10	20	16	3.5	6
P0134.120-050-A4	12	50	M10	20	16	3.5	6