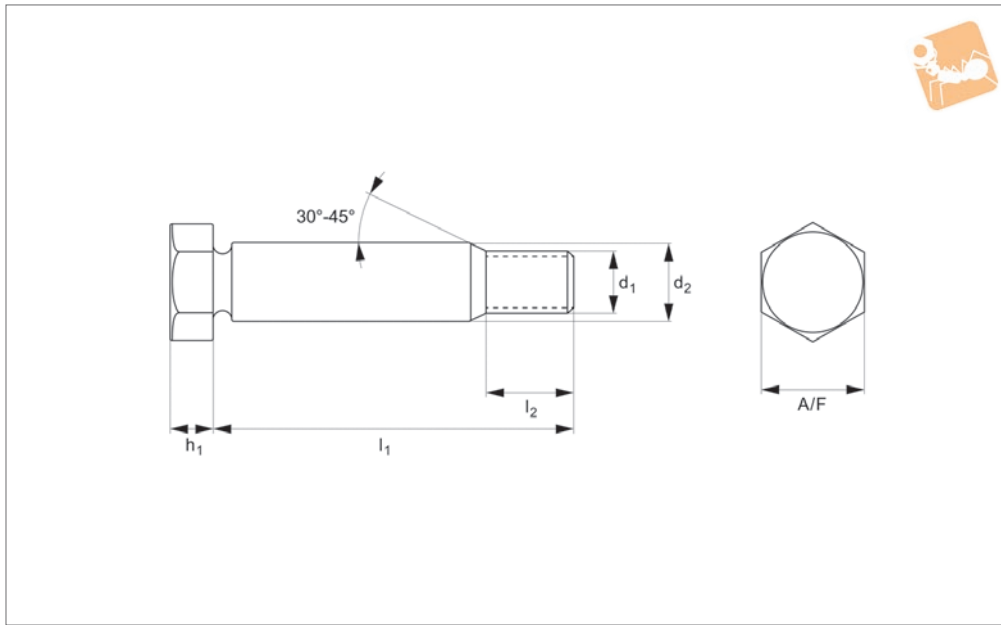




Stainless Shoulder Bolts - Hex. Head

Long thread A2 stainless

Shoulder Screws



P0138.A2

SHOULDER SCREWS

Material

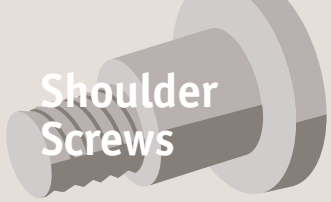
Stainless steel (A2, AISI 303).
Tensile strength 550 N/mm².

Technical Notes

To DIN 609. Longer thread than P0140
(DIN 610). Mildly magnetic.

Drill hole to H7 tolerance.

Order No.	d ₁	l ₁	d ₂ tol. k6	l ₂	h ₁	A/F
P0138.080-025-A2	M 8	25	9	14.5	5.3	13
P0138.080-030-A2	M 8	30	9	14.5	5.3	13
P0138.080-040-A2	M 8	40	9	14.5	5.3	13
P0138.080-045-A2	M 8	45	9	14.5	5.3	13
P0138.080-060-A2	M 8	60	9	16.5	5.3	13
P0138.080-080-A2	M 8	80	9	16.5	5.3	13
P0138.100-030-A2	M10	30	11	17.5	6.4	17
P0138.100-040-A2	M10	40	11	17.5	6.4	17
P0138.100-045-A2	M10	45	11	17.5	6.4	17
P0138.100-050-A2	M10	50	11	17.5	6.4	17
P0138.100-060-A2	M10	60	11	19.5	6.4	17
P0138.100-070-A2	M10	70	11	19.5	6.4	17
P0138.100-080-A2	M10	80	11	19.5	6.4	17
P0138.120-040-A2	M12	40	13	20.5	10.0	18
P0138.120-045-A2	M12	45	13	20.5	10.0	18
P0138.120-050-A2	M12	50	13	20.5	10.0	18
P0138.120-055-A2	M12	55	13	22.5	10.0	18
P0138.120-060-A2	M12	60	13	22.5	10.0	18
P0138.120-065-A2	M12	65	13	22.5	10.0	18
P0138.120-080-A2	M12	80	13	22.5	10.0	18
P0138.160-040-A2	M16	40	17	25.0	11.5	24
P0138.160-045-A2	M16	45	17	25.0	11.5	24
P0138.160-050-A2	M16	50	17	25.0	11.5	24
P0138.160-055-A2	M16	55	17	27.0	11.5	24
P0138.160-060-A2	M16	60	17	27.0	11.5	24
P0138.160-065-A2	M16	65	17	27.0	11.5	24
P0138.160-070-A2	M16	70	17	27.0	11.5	24
P0138.160-080-A2	M16	80	17	27.0	11.5	24
P0138.160-095-A2	M16	95	17	27.0	11.5	24



SHOULDER SCREWS

Steel shoulder screws

These are our least expensive option. They are produced to ISO 7379 standards.

Thread sizes from Ø4 M3 to Ø24 M20. We manufacture special shoulder screws to customer drawings with a minimum batch size.



Stainless steel shoulder screws

We have three different grades of stainless steel shoulder screws:

303 series – these are our standard grade of stainless (P0130.A2). They are strong and resistant to corrosion but not to very harsh environments such as salt water.

416 series – these are made from harder stainless steel with improved shear strengths but the parts are more prone to corrosion (see part no. P0131 and P0133).

316 series – these shoulder screws (P0130.A4) are very resistant to corrosion but are considerably more expensive than other stainless versions.



Shoulder bolts

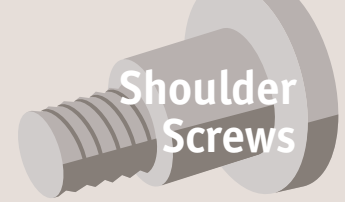
Our range of precision shoulder bolts with hexagonal heads come in both steel (grades 8.8 and 10.9) and stainless steel (303 and 316 stainless). These bolts are manufactured to DIN 609 and DIN 610. We also have shoulder bolts for construction, manufactured to DIN 7968.

	DIN 609 standard length thread	DIN 610 short length thread	DIN 7968 construction
Grade 8.8 steel	P0138.SC	P0140.SC	P0142
Grade 10.9 steel	P0139	P0141	-
303 stainless steel	P0138.A2	P0140.A2	-



Product Overview

Shoulder Screws & Shoulder Bolts



Shoulder
Screws

Shoulder Screw from Automotion Components

SHOULDER SCREWS

Part No.		Material	Head	Corrosion resistance	Strength	Ø/thread	DIN/ISO
P0130		303 stainless steel	Hex socket	✓✓	✓	Min: Ø4/M3 Max: Ø20/M16	-
P0130.A4		316 stainless steel	Hex socket	✓✓✓	✓	Min: Ø4/M3 Max: Ø20/M16	ISO 7379
P0131		416 stainless steel	Hex socket	✓	✓✓	Min: Ø4/M3 Max: Ø12/M10	-
P0132		303 stainless steel	Slotted	✓✓	✓	Min: Ø4/M3 Max: Ø12/M10	-
P0133		416 stainless steel	Slotted	✓	✓✓	Min: Ø4/M3 Max: Ø12/M10	-
P0134		303 stainless steel	Hex socket	✓✓	✓	Min: Ø4/M3 Max: Ø8/M6	-
P0135		303 stainless steel	Hex head	✓✓	✓	Min: Ø4/M3 Max: Ø12/M10	-
P0136		Steel 12,9	Hex socket	✗	✓✓	Min: Ø4/M3 Max: Ø24/M20	ISO 7379
P0137		304 stainless steel	Hex socket	✓✓	✓	Min: Ø6/M5 Max: Ø20/M16	ISO 7379
P0138		Steel 8,8	Hex head (long thread)	✗	✓	Min: Ø9/M8 Max: Ø44/M42	DIN 610
P0139		Steel 10,9	Hex head (long thread)	✗	✓✓	Min: Ø9/M8 Max: Ø38/M36	DIN 610
P0140		Steel 8,8	Hex socket (short thread)	✗	✓✓	Min: Ø9/M8 Max: Ø44/M42	DIN 609
P0141		Steel 10,9	Hex socket (short thread)	✗	✓✓	Min: Ø9/M8 Max: Ø38/M36	DIN 609
P0142		Steel 8,8	Hex head	✗	✓✓	Min: Ø12/M12 Max: Ø27/M27	DIN 7968
P0144		303 stainless steel	Pan head	✓✓	✓✓	Min: Ø4/M3 Max: Ø10/M8	DIN 923