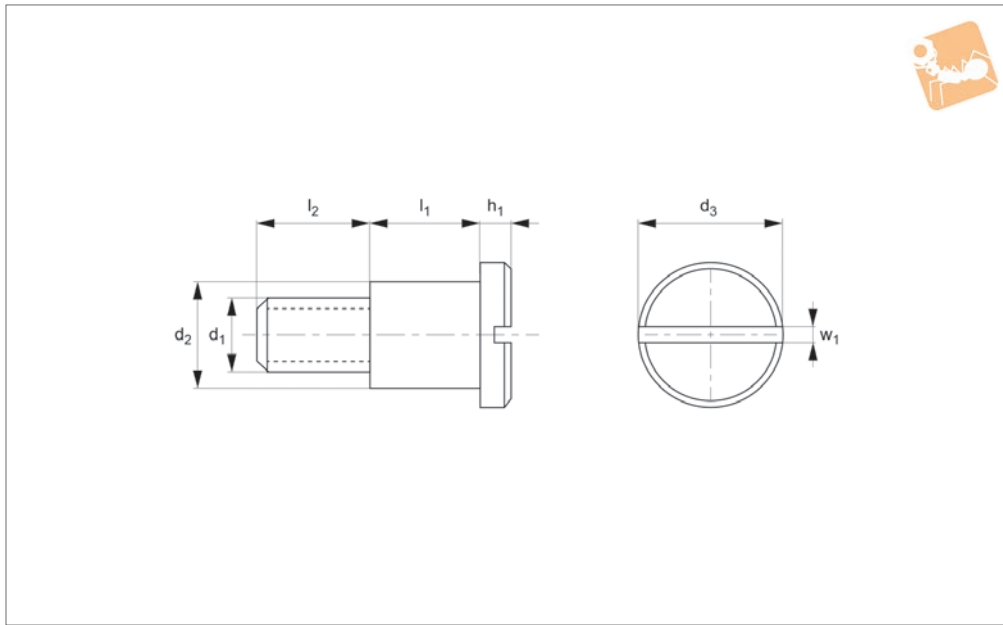




Pan Head Shoulder Screws

steel, zinc-plated

Shoulder Screws



P0144.ZP

SHOULDER SCREWS

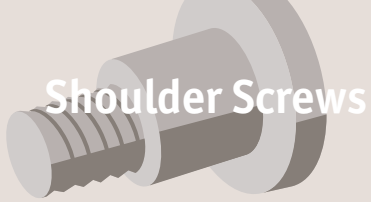
Material

Steel, zinc-plated.

Technical Notes

To DIN 923.

| Order No. | d ₁ | l ₁ | d ₂ tol. h9 | d ₃ | h ₁ | l ₂ | w ₁ |
|------------------|----------------|----------------|---------------------------|----------------|----------------|----------------|----------------|
| P0144.020-002-ZP | M 2 | 2 | 2.8 | 4.5 | 1.2 | 3.0 | 0.5 |
| P0144.020-003-ZP | M 2 | 3 | 2.8 | 4.5 | 1.2 | 3.0 | 0.5 |
| P0144.020-004-ZP | M 2 | 4 | 2.8 | 4.5 | 1.2 | 3.0 | 0.5 |
| P0144.020-005-ZP | M 2 | 5 | 2.8 | 4.5 | 1.2 | 3.0 | 0.5 |
| P0144.020-006-ZP | M 2 | 6 | 2.8 | 4.5 | 1.2 | 3.0 | 0.5 |
| P0144.020-008-ZP | M 2 | 8 | 2.8 | 4.5 | 1.2 | 3.0 | 0.5 |
| P0144.020-012-ZP | M 2 | 12 | 2.8 | 4.5 | 1.2 | 3.0 | 0.5 |
| P0144.025-003-ZP | M2,5 | 3 | 2.8 | 4.5 | 1.2 | 3.0 | 0.5 |
| P0144.025-004-ZP | M2,5 | 4 | 2.8 | 4.5 | 1.2 | 3.0 | 0.5 |
| P0144.025-005-ZP | M2,5 | 5 | 2.8 | 4.5 | 1.2 | 3.0 | 0.5 |
| P0144.025-006-ZP | M2,5 | 6 | 2.8 | 4.5 | 1.2 | 3.0 | 0.5 |
| P0144.025-008-ZP | M2,5 | 8 | 2.8 | 4.5 | 1.2 | 3.0 | 0.5 |
| P0144.030-001-ZP | M 3 | 1 | 4.0 | 7.0 | 1.8 | 4.5 | 0.8 |
| P0144.030-002-ZP | M 3 | 2 | 4.0 | 7.0 | 1.8 | 4.5 | 0.8 |
| P0144.030-003-ZP | M 3 | 3 | 4.0 | 7.0 | 1.8 | 4.5 | 0.8 |
| P0144.030-004-ZP | M 3 | 4 | 4.0 | 7.0 | 1.8 | 4.5 | 0.8 |
| P0144.030-005-ZP | M 3 | 5 | 4.0 | 7.0 | 1.8 | 4.5 | 0.8 |
| P0144.030-006-ZP | M 3 | 6 | 4.0 | 7.0 | 1.8 | 4.5 | 0.8 |
| P0144.030-008-ZP | M 3 | 8 | 4.0 | 7.0 | 1.8 | 4.5 | 0.8 |
| P0144.030-010-ZP | M 3 | 10 | 4.0 | 7.0 | 1.8 | 4.5 | 0.8 |
| P0144.030-012-ZP | M 3 | 12 | 4.0 | 7.0 | 1.8 | 4.5 | 0.8 |
| P0144.030-016-ZP | M 3 | 16 | 4.0 | 7.0 | 1.8 | 4.5 | 0.8 |
| P0144.030-030-ZP | M 3 | 30 | 4.0 | 7.0 | 1.8 | 4.5 | 0.8 |
| P0144.040-002-ZP | M 4 | 2 | 5.5 | 8.5 | 2.4 | 6.0 | 1.0 |
| P0144.040-003-ZP | M 4 | 3 | 5.5 | 8.5 | 2.4 | 6.0 | 1.0 |
| P0144.040-004-ZP | M 4 | 4 | 5.5 | 8.5 | 2.4 | 6.0 | 1.0 |
| P0144.040-005-ZP | M 4 | 5 | 5.5 | 8.5 | 2.4 | 6.0 | 1.0 |
| P0144.040-006-ZP | M 4 | 6 | 5.5 | 8.5 | 2.4 | 6.0 | 1.0 |
| P0144.040-008-ZP | M 4 | 8 | 5.5 | 8.5 | 2.4 | 6.0 | 1.0 |
| P0144.040-010-ZP | M 4 | 10 | 5.5 | 8.5 | 2.4 | 6.0 | 1.0 |
| P0144.040-012-ZP | M 4 | 12 | 5.5 | 8.5 | 2.4 | 6.0 | 1.0 |
| P0144.040-016-ZP | M 4 | 16 | 5.5 | 8.5 | 2.4 | 6.0 | 1.0 |
| P0144.040-020-ZP | M 4 | 20 | 5.5 | 8.5 | 2.4 | 6.0 | 1.0 |
| P0144.040-030-ZP | M 4 | 30 | 5.5 | 8.5 | 2.4 | 6.0 | 1.0 |



Shoulder Screws

Pan Head Shoulder Screws steel, zinc-plated



SHOULDER SCREWS

| Order No. | d ₁ | l ₁ | d ₂ tol. h9 | d ₃ | h ₁ | l ₂ | w ₁ |
|------------------|----------------|----------------|---------------------------|----------------|----------------|----------------|----------------|
| P0144.050-002-ZP | M 5 | 2 | 7.0 | 11.0 | 2.7 | 7.0 | 1.2 |
| P0144.050-003-ZP | M 5 | 3 | 7.0 | 11.0 | 2.7 | 7.0 | 1.2 |
| P0144.050-004-ZP | M 5 | 4 | 7.0 | 11.0 | 2.7 | 7.0 | 1.2 |
| P0144.050-005-ZP | M 5 | 5 | 7.0 | 11.0 | 2.7 | 7.0 | 1.2 |
| P0144.050-006-ZP | M 5 | 6 | 7.0 | 11.0 | 2.7 | 7.0 | 1.2 |
| P0144.050-008-ZP | M 5 | 8 | 7.0 | 11.0 | 2.7 | 7.0 | 1.2 |
| P0144.050-010-ZP | M 5 | 10 | 7.0 | 11.0 | 2.7 | 7.0 | 1.2 |
| P0144.050-012-ZP | M 5 | 12 | 7.0 | 11.0 | 2.7 | 7.0 | 1.2 |
| P0144.050-016-ZP | M 5 | 16 | 7.0 | 11.0 | 2.7 | 7.0 | 1.2 |
| P0144.050-020-ZP | M 5 | 20 | 7.0 | 11.0 | 2.7 | 7.0 | 1.2 |
| P0144.050-025-ZP | M 5 | 25 | 7.0 | 11.0 | 2.7 | 7.0 | 1.2 |
| P0144.060-002-ZP | M 6 | 2 | 8.0 | 13.0 | 3.1 | 9.0 | 1.6 |
| P0144.060-003-ZP | M 6 | 3 | 8.0 | 13.0 | 3.1 | 9.0 | 1.6 |
| P0144.060-004-ZP | M 6 | 4 | 8.0 | 13.0 | 3.1 | 9.0 | 1.6 |
| P0144.060-005-ZP | M 6 | 5 | 8.0 | 13.0 | 3.1 | 9.0 | 1.6 |
| P0144.060-006-ZP | M 6 | 6 | 8.0 | 13.0 | 3.1 | 9.0 | 1.6 |
| P0144.060-008-ZP | M 6 | 8 | 8.0 | 13.0 | 3.1 | 9.0 | 1.6 |
| P0144.060-010-ZP | M 6 | 10 | 8.0 | 13.0 | 3.1 | 9.0 | 1.6 |
| P0144.060-012-ZP | M 6 | 12 | 8.0 | 13.0 | 3.1 | 9.0 | 1.6 |
| P0144.060-016-ZP | M 6 | 16 | 8.0 | 13.0 | 3.1 | 9.0 | 1.6 |
| P0144.060-020-ZP | M 6 | 16 | 8.0 | 13.0 | 3.1 | 9.0 | 1.6 |
| P0144.060-025-ZP | M 6 | 25 | 8.0 | 13.0 | 3.1 | 9.0 | 1.6 |
| P0144.080-004-ZP | M 8 | 4 | 10.0 | 16.0 | 3.8 | 11.0 | 2.0 |
| P0144.080-005-ZP | M 8 | 5 | 10.0 | 16.0 | 3.8 | 11.0 | 2.0 |
| P0144.080-006-ZP | M 8 | 6 | 10.0 | 16.0 | 3.8 | 11.0 | 2.0 |
| P0144.080-008-ZP | M 8 | 8 | 10.0 | 16.0 | 3.8 | 11.0 | 2.0 |
| P0144.080-010-ZP | M 8 | 10 | 10.0 | 16.0 | 3.8 | 11.0 | 2.0 |
| P0144.080-012-ZP | M 8 | 12 | 10.0 | 16.0 | 3.8 | 11.0 | 2.0 |
| P0144.080-016-ZP | M 8 | 16 | 10.0 | 16.0 | 3.8 | 11.0 | 2.0 |
| P0144.080-020-ZP | M 8 | 20 | 10.0 | 16.0 | 3.8 | 11.0 | 2.0 |
| P0144.080-025-ZP | M 8 | 25 | 10.0 | 16.0 | 3.8 | 11.0 | 2.0 |
| P0144.100-005-ZP | M10 | 5 | 13.0 | 20.0 | 4.6 | 13.5 | 2.5 |
| P0144.100-006-ZP | M10 | 6 | 13.0 | 20.0 | 4.6 | 13.5 | 2.5 |
| P0144.100-008-ZP | M10 | 8 | 13.0 | 20.0 | 4.6 | 13.5 | 2.5 |
| P0144.100-010-ZP | M10 | 10 | 13.0 | 20.0 | 4.6 | 13.5 | 2.5 |
| P0144.100-012-ZP | M10 | 12 | 13.0 | 20.0 | 4.6 | 13.5 | 2.5 |
| P0144.100-016-ZP | M10 | 16 | 13.0 | 20.0 | 4.6 | 13.5 | 2.5 |
| P0144.100-020-ZP | M10 | 20 | 13.0 | 20.0 | 4.6 | 13.5 | 2.5 |
| P0144.100-025-ZP | M10 | 25 | 13.0 | 20.0 | 4.6 | 13.5 | 2.5 |