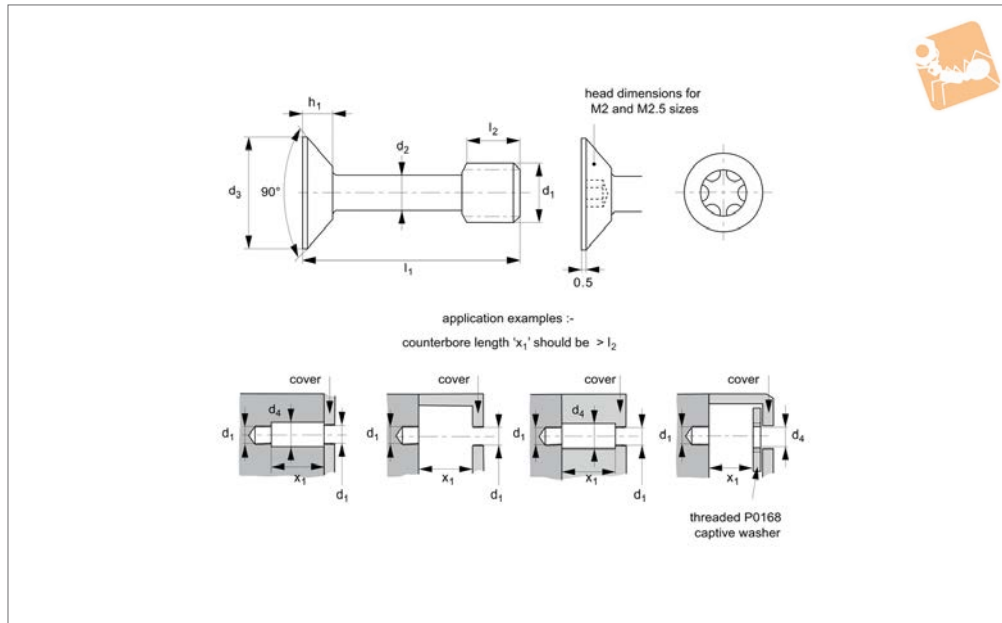




Captive Screws - Countersunk

TX drive- 303 stainless

Captive Screws



P0153.TX

CAPTIVE SCREWS

Material

Stainless steel (AISI 303, 1.4305).
Tensile strength 550 N/mm².
Proof stress min. 190 N/mm², austenitic stainless steel.

Technical Notes

Used to comply with the Machinery Directive 2006/42/EC. Generally to ISO 10642.

Often used with our captive washers (P0168) or retaining flanges (P0169 - for sheet metal applications). The use of our captive washers should be considered when fitted in panels with unthreaded holes.

Important Notes

Please note that these screws have a

reduced diameter shank and should not be tightened to the recommended torque for an equivalent machine screw of size d₁. To accommodate the slight undercut at the top of the shank, the torx drive is smaller than on a similar threaded machine screw.

Order No.	d ₁	l ₁ ±0.25	d ₂ ±0.12	d ₃ max.	d ₄ min.	h ₁ max.	l ₂ ±0.25	TX size
P0153.020-010-TX	M 2	10	1.2	3.8	2.5	1.20	3.5	TX-5
P0153.020-012-TX	M 2	12	1.2	3.8	2.5	1.20	3.5	TX-5
P0153.020-016-TX	M 2	16	1.2	3.8	2.5	1.20	3.5	TX-5
P0153.020-020-TX	M 2	20	1.2	3.8	2.5	1.20	3.5	TX-5
P0153.025-010-TX	M 2,5	10	1.7	4.7	2.8	1.80	3.7	TX-6
P0153.025-012-TX	M 2,5	12	1.7	4.7	2.8	1.80	3.7	TX-6
P0153.025-016-TX	M 2,5	16	1.7	4.7	2.8	1.80	3.7	TX-6
P0153.025-020-TX	M 2,5	20	1.7	4.7	2.8	1.80	3.7	TX-6
P0153.030-008-TX	M 3	8	2.0	5.6	3.5	1.65	4.5	TX-8
P0153.030-010-TX	M 3	10	2.0	5.6	3.5	1.65	4.5	TX-8
P0153.030-012-TX	M 3	12	2.0	5.6	3.5	1.65	4.5	TX-8
P0153.030-016-TX	M 3	16	2.0	5.6	3.5	1.65	4.5	TX-8
P0153.030-020-TX	M 3	20	2.0	5.6	3.5	1.65	4.5	TX-8
P0153.030-025-TX	M 3	25	2.0	5.6	3.5	1.65	4.5	TX-8
P0153.030-030-TX	M 3	30	2.0	5.6	3.5	1.65	4.5	TX-8
P0153.030-035-TX	M 3	35	2.0	5.6	3.5	1.65	4.5	TX-8
P0153.030-040-TX	M 3	40	2.0	5.6	3.5	1.65	4.5	TX-8
P0153.040-010-TX	M 4	10	2.8	7.5	4.5	2.20	6.0	TX-10
P0153.040-012-TX	M 4	12	2.8	7.5	4.5	2.20	6.0	TX-10
P0153.040-014-TX	M 4	14	2.8	7.5	4.5	2.20	6.0	TX-10
P0153.040-016-TX	M 4	16	2.8	7.5	4.5	2.20	6.0	TX-10
P0153.040-020-TX	M 4	20	2.8	7.5	4.5	2.20	6.0	TX-10
P0153.040-025-TX	M 4	25	2.8	7.5	4.5	2.20	6.0	TX-10
P0153.040-030-TX	M 4	30	2.8	7.5	4.5	2.20	6.0	TX-10
P0153.040-035-TX	M 4	35	2.8	7.5	4.5	2.20	6.0	TX-10
P0153.040-040-TX	M 4	40	2.8	7.5	4.5	2.20	6.0	TX-10
P0153.040-050-TX	M 4	50	2.8	7.5	4.5	2.20	6.0	TX-10
P0153.040-060-TX	M 4	60	2.8	7.5	4.5	2.20	6.0	TX-10
P0153.050-012-TX	M 5	12	3.7	9.2	5.5	2.50	7.5	TX-20



CAPTIVE SCREWS

Order No.	d ₁	l ₁ ±0.25	d ₂ ±0.12	d ₃ max.	d ₄ min.	h ₁ max.	l ₂ ±0.25	TX size
P0153.050-014-TX	M 5	14	3.7	9.2	5.5	2.50	7.5	TX-20
P0153.050-016-TX	M 5	16	3.7	9.2	5.5	2.50	7.5	TX-20
P0153.050-020-TX	M 5	20	3.7	9.2	5.5	2.50	7.5	TX-20
P0153.050-025-TX	M 5	25	3.7	9.2	5.5	2.50	7.5	TX-20
P0153.050-030-TX	M 5	30	3.7	9.2	5.5	2.50	7.5	TX-20
P0153.050-035-TX	M 5	35	3.7	9.2	5.5	2.50	7.5	TX-20
P0153.050-040-TX	M 5	40	3.7	9.2	5.5	2.50	7.5	TX-20
P0153.050-050-TX	M 5	50	3.7	9.2	5.5	2.50	7.5	TX-20
P0153.050-060-TX	M 5	60	3.7	9.2	5.5	2.50	7.5	TX-20
P0153.060-016-TX	M 6	16	4.2	11.0	6.5	3.00	8.0	TX-25
P0153.060-020-TX	M 6	20	4.2	11.0	6.5	3.00	8.0	TX-25
P0153.060-025-TX	M 6	25	4.2	11.0	6.5	3.00	8.0	TX-25
P0153.060-030-TX	M 6	30	4.2	11.0	6.5	3.00	8.0	TX-25
P0153.060-035-TX	M 6	35	4.2	11.0	6.5	3.00	8.0	TX-25
P0153.060-040-TX	M 6	40	4.2	11.0	6.5	3.00	8.0	TX-25
P0153.060-050-TX	M 6	50	4.2	11.0	6.5	3.00	8.0	TX-25
P0153.060-060-TX	M 6	60	4.2	11.0	6.5	3.00	8.0	TX-25
P0153.080-020-TX	M 8	20	6.0	15.0	8.5	4.10	10.0	TX-30
P0153.080-025-TX	M 8	25	6.0	15.0	8.5	4.10	10.0	TX-30
P0153.080-030-TX	M 8	30	6.0	15.0	8.5	4.10	10.0	TX-30
P0153.080-040-TX	M 8	40	6.0	15.0	8.5	4.10	10.0	TX-30
P0153.080-050-TX	M 8	50	6.0	15.0	8.5	4.10	10.0	TX-30
P0153.080-060-TX	M 8	60	6.0	15.0	8.5	4.10	10.0	TX-30