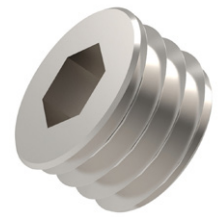




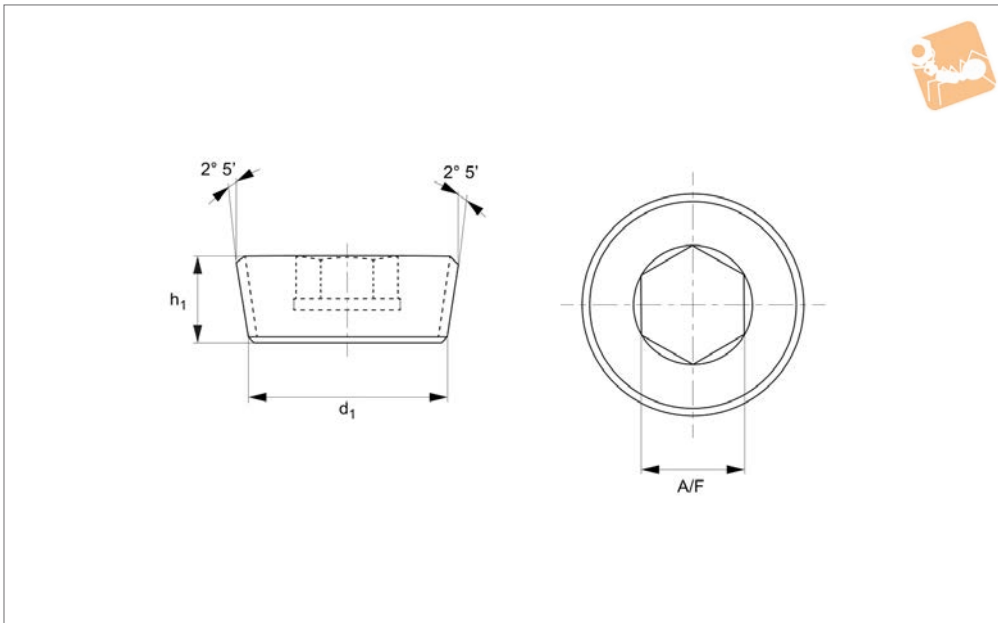
Blanking Plugs - Level Seal NPTF

Blanking Plugs



P0184.NL

BLANKING PLUGS



Material

Steel (self-colour), stainless steel (A4) and brass.

Technical Notes

The Level Seal pressure plug has a 2° 5' taper thread extending its entire length and designed to provide a flush condition

with a standard 1° 47' tapered hole. It achieves a high pressure seal through the difference in taper, with dimensions pre-calculated to provide a higher sealing load near the large end of the plug and the threads near the top of the tapped hole. It is used in applications where high pressures are encountered and where protrusion is undesirable.

Tightening torque is dependent on fluid, pressure, temperature, and material pairing.

Important Notes

For dry seal type plug see part P0184.NPT.

Order No.	d ₁	tpi	d ₁ max.	l ₁ nom.	A/F	Material
P0184.NL1/16-BR	NPT1/16"	27.0	7.8	6.35	5/32	Brass
P0184.NL1/8-BR	NPT1/8"	27.0	10.2	6.35	3/16	Brass
P0184.NL1/4-BR	NPT1/4"	18.0	13.4	10.3	1/4	Brass
P0184.NL3/8-BR	NPT3/8"	18.0	16.9	10.3	5/16	Brass
P0184.NL1/2-BR	NPT1/2"	14.0	21.1	13.5	3/8	Brass
P0184.NL3/4-BR	NPT3/4"	14.0	26.4	13.5	9/16	Brass
P0184.NL1-BR	NPT1"	11.5	33.1	16.7	5/8	Brass
P0184.NL1-1/4-BR	NPT1 1/4"	11.5	41.8	16.7	3/4	Brass
P0184.NL1-1/2-BR	NPT1 1/2"	11.5	47.9	16.7	3/4	Brass
P0184.NL1/16-SC	NPT1/16"	27.0	7.8	6.35	5/32	Steel SC
P0184.NL1/8-SC	NPT1/8"	27.0	10.2	6.35	3/16	Steel SC
P0184.NL1/4-SC	NPT1/4"	18.0	13.4	10.3	1/4	Steel SC
P0184.NL3/8-SC	NPT3/8"	18.0	16.9	10.3	5/16	Steel SC
P0184.NL1/2-SC	NPT1/2"	14.0	21.1	13.5	3/8	Steel SC
P0184.NL3/4-SC	NPT3/4"	14.0	26.4	13.5	9/16	Steel SC
P0184.NL1-SC	NPT1"	11.5	33.1	16.7	5/8	Steel SC
P0184.NL1-1/4-SC	NPT1 1/4"	11.5	41.8	16.7	3/4	Steel SC
P0184.NL1-1/2-SC	NPT1 1/2"	11.5	47.9	16.7	3/4	Steel SC
P0184.NL1/16-A4	NPT1/16"	27.0	7.8	6.35	5/32	A4 s/s
P0184.NL1/8-A4	NPT1/8"	27.0	10.2	6.35	3/16	A4 s/s
P0184.NL1/4-A4	NPT1/4"	18.0	13.4	10.3	1/4	A4 s/s
P0184.NL3/8-A4	NPT3/8"	18.0	16.9	10.3	5/16	A4 s/s
P0184.NL1/2-A4	NPT1/2"	14.0	21.1	13.5	3/8	A4 s/s
P0184.NL3/4-A4	NPT3/4"	14.0	26.4	13.5	9/16	A4 s/s
P0184.NL1-A4	NPT1"	11.5	33.1	16.7	5/8	A4 s/s
P0184.NL1-1/4-A4	NPT1 1/4"	11.5	41.8	16.7	3/4	A4 s/s
P0184.NL1-1/2-A4	NPT1 1/2"	11.5	47.9	16.7	3/4	A4 s/s



P0182
Hex head screw blanking plugs
DIN 910



P0183
Hex socket screw blanking plugs
DIN 908



P0184
Hex socket taper blanking plugs
DIN 906



P0184.NPT
Hex socket blanking plugs NPT
and NPTF dry seal



P0184.NL
Hex socket blanking plugs level
seal



P0187
Hexagon blanking plugs DIN
7604 A

Blanking Plugs from Automation Components

Threads

Blanking plugs come with either metric or inch threads. Most metric threads are fine threads (to DIN 13).

Inch threads come in four types:

G indicates BSPP British Standard pipe parallel (to ISO 288)

R indicates BSPT British Standard pipe taper (to ISO 7)

NPT indicates National Standard pipe taper (to ANSI B1.20.1)

NPTF indicates National Standard pipe taper fuel dry seal (to ANSI B1.20.3)

NL indicates National Standard pipe taper fuel level seal (to ANSI B1.20.3)

Materials

Blanking Plugs are available in three material types:

Steel (untreated or zinc plated)

Stainless steel (A2, AISI 303 and A4, AISI 316)

Brass

Options: with built-in magnet or with NBR seal and O Ring.

NPT and NPTF pipe threads

The two most common US standard taper pipe threads used are National Pipe Taper (NPT) and National Pipe Taper Fuel (NPTF). Applications range from electrical conduits and hand railings to high-pressure pipe lines that carry gas or caustic fluids. NPT threads are for mechanical or low-pressure air or fluid applications and often require the use of sealing compounds like Teflon tape, to provide the seal. When the application is more critical, and the sealing compound may fail due to high heat or pressure, NPTF Dryseal threads are used. This mechanical seal is produced by the mating and slight crushing of the threads when a wrench is applied to tighten the fittings.