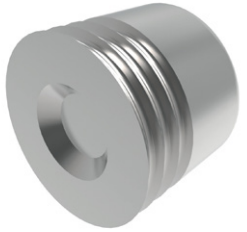




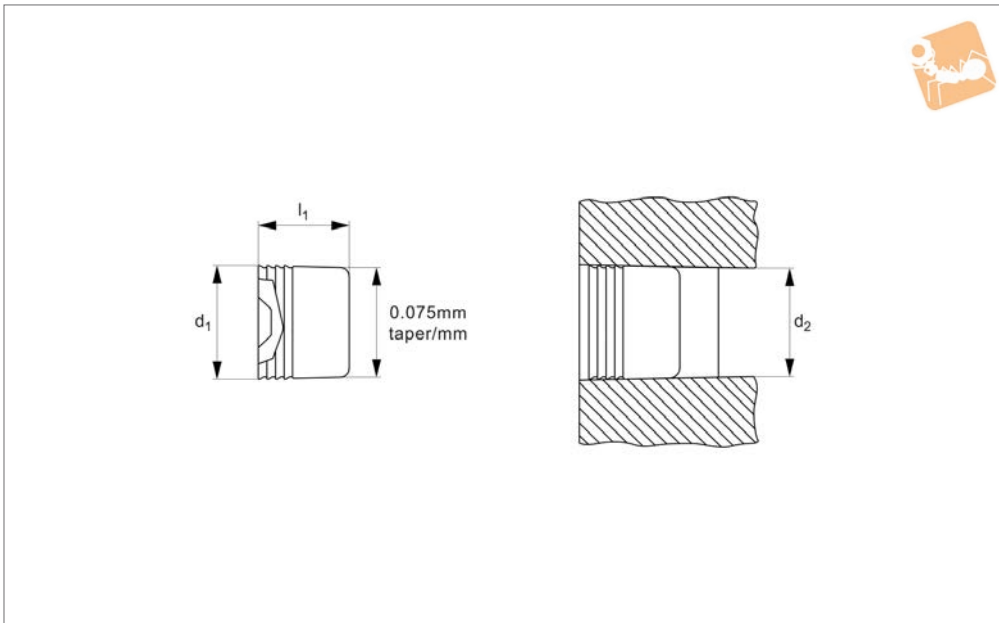
Blocker Sealing Plugs Aluminium

Blanking Plugs



P0194

BLANKING PLUGS



Material

Aluminium (6061).

a 0.075mm/mm taper over their length.
Burst pressure 35 bar (500 psi).

Technical Notes

These are high pressure sealing plugs with

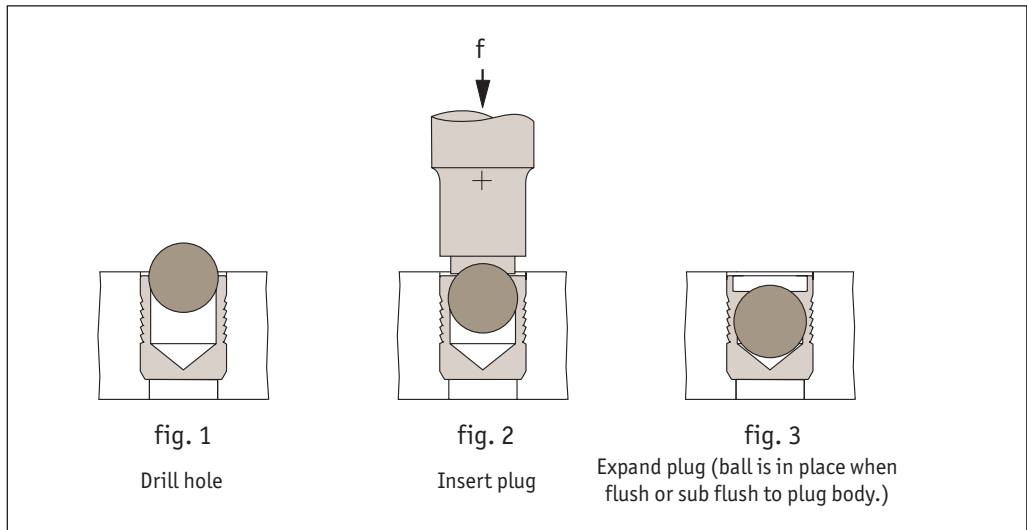
| Order No. | d_1 | d_2 max. | l_1 | Size |
|-----------|-------|---------------|-------|------|
| P0194.070 | 7.01 | 6.50 | 5.5 | 7 |
| P0194.090 | 9.01 | 8.38 | 5.5 | 9 |
| P0194.110 | 11.03 | 10.39 | 5.5 | 11 |
| P0194.130 | 13.03 | 12.40 | 5.5 | 13 |
| P0194.160 | 16.08 | 15.39 | 5.5 | 16 |



Hydraulic and pneumatic components and systems are often cross-drilled to provide the correct channels for air and gas. Some of these channels have to be drilled from the outside and later need to be closed off (plugged).

The expansion sealing plugs are inserted into a drilled hole and the expander ball is driven into the plug sleeve. The independent grooved sealing rings on the plug ball are driven into the housing material to permanently plug and seal the hole. The ball is retained in place.

No need for tapping or reaming, no machining of O ring grooves or the use of tapes or sealants. To seal a hole, follow this procedure:



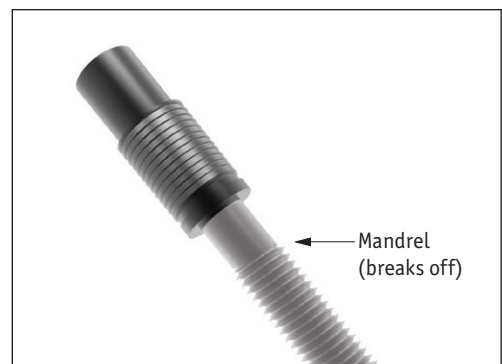
Applications

Some of the typical applications for our sealing screws include:

- | | |
|-------------|------------|
| Pneumatics | Aerospace |
| Hydraulics | Valves |
| Fluid Power | Regulators |
| Automation | Cylinders |
| Industrial | |



“Standard” Expansion sealing plugs - push the ball which expands the sleeve and seals the channel.



“Pull” Expansion sealing plugs. Pulling on the mandrel expands the sleeve, sealing the channel. At a predetermined force the mandrel breaks off.

Sealing Plugs from Automation Components

BLANKING PLUGS

Hole Preparation

Refer to the data sheet for the correct hole size to drill for the counterbored and drilled hole size and tolerance. Hole concentricity must be held within 0,05mm.

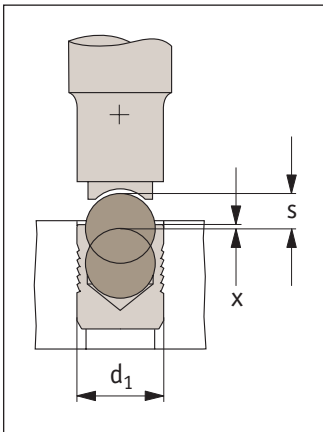
Bore roughness must be between Rz (RMS) 10-30µ (especially for hard materials).

Avoid spiral or longitudinal grooves as these may affect plug performance. Ensure the holes are clean and dirt free.

Installation

Insert the plug into the counterbored hole with the ball facing outwards, seated against the counterbore shoulder.

Press the ball into the sleeve so that the top of the ball is slightly below the top of the sleeve (note approximate values for x and s in table below):



| d_1 | 3 | 4 | 5 | 6 | 7 | 8 | 9 | 10 | 12 | 14 | 16 | 18 | 20 | 22 |
|---|-----|-----|-----|-----|-----|-----|-----|-----|-----|------|-----|-----|-----|------|
| Stroke - s | 1.2 | 1.5 | 2.0 | 2.5 | 3.0 | 3.5 | 4.0 | 4.5 | 5.5 | 6.35 | 7.0 | 8.0 | 9.0 | 10.0 |
| Top of ball relative to top of sleeve - x ±0.2 | 0.4 | 0.2 | 0.4 | 0.4 | 0.4 | 0.3 | 0.4 | 0.4 | 0.4 | 0.4 | 0.6 | 0.6 | 0.8 | 0.8 |

Use the correct installation tool for each plug size. The plugs can be installed using a hammer and the installation tool. An air hammer with the correct air hammer installation tool can also be used.

Minimum wall thickness and distance from an edge

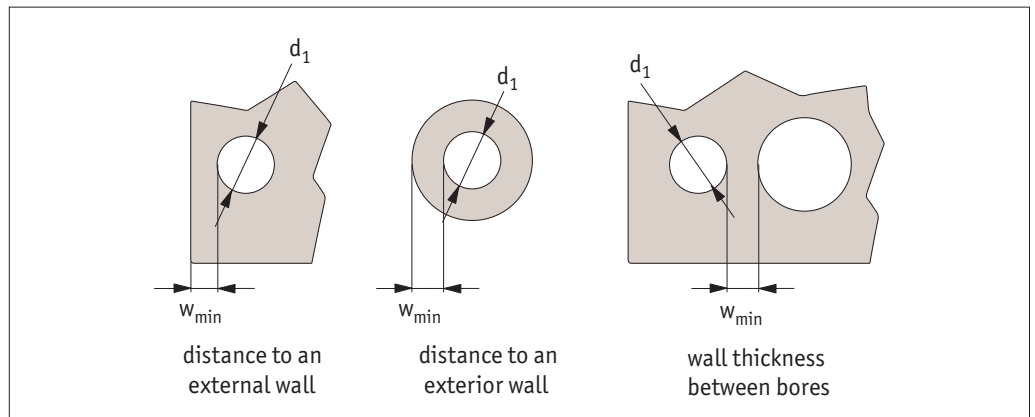
The radial expansion of the plug causes the housing material around the plug to deform plastically. Therefore a proper minimum wall thickness or distance from an edge is necessary to optimise the strength of the mechanical connection. The operating hydraulic pressure, thermal cycling, plug type and characteristics of the base metal also need to be considered – please consult our technical department.

$d_1 \geq 4\text{mm}$

$w_{\min} = f_{\min} \times d_1$

$d_1 < 4\text{mm}$

$w_{\min} = (f_{\min} \times d_1) + 0.5\text{mm}$



The guidelines for minimum wall thickness or distance from and edge (W_{\min}) are shown below – these minimum values produce only a very slight deformation on the exterior profile (less than 20 microns).

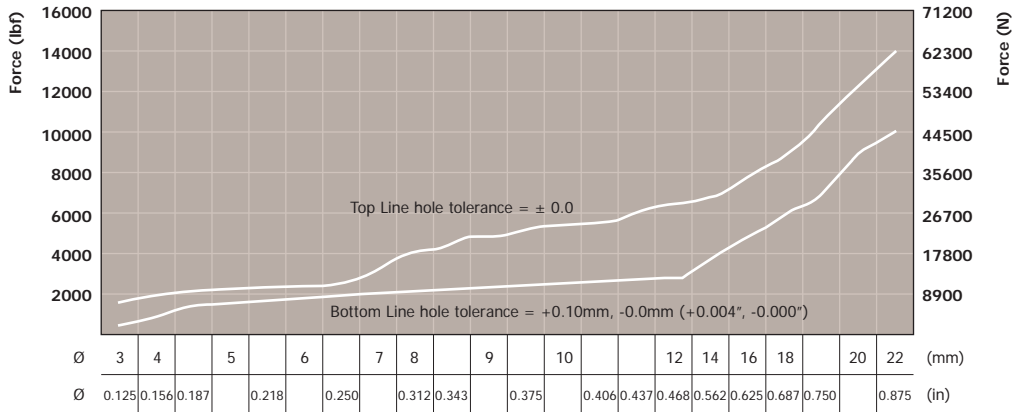
| Sealing Plug type | Base Metal | | | | | | |
|-------------------|-------------------------------------|-------------------|----------------------|--------------------------|---------------------|---------------------|-------------------------|
| | Steel (SAE 1144) | Steel (SAE 10L15) | Cast Iron (ASTM A48) | Ductile Iron (ASTM A356) | Aluminium (2024-T4) | Aluminium (6061-T6) | Cast Aluminium (356-T6) |
| | Factor f_{\min} | | | | | | |
| Steel body | 0.5 | 0.6 | 1.0 | 0.6 | 0.6 | 1.0 | 1.0 |
| Stainless Body | 0.6 | 0.8 | 1.0 | 0.8 | 0.8 | 1.0 | 1.0 |
| Pull PLugs | 0.5 | 0.6 | 1.0 | 0.6 | 0.6 | 1.0 | 1.0 |



Installation Forces Guidelines

The values offered are to be used as a guideline. The base metal chosen for your specific application, the surface treatment, hole size and surface finish all affect the seal performance. Please contact our Technical Department for more information.

Installation Forces:



Pressure Performance Guidelines

| | Steel (Case-hardened) Plug Body | |
|--------------------------|--|--|
| | Ø 3-10 | Ø 12-32 |
| Steel (SAE 1144) | 350 bar working pressure 1,100 bar proof pressure | 380 bar working pressure 900 bar proof pressure |
| Steel (SAE 10L15) | | |
| Cast Iron (ASTM A48) | | |
| Ductile Iron (ASTM A356) | | |
| Aluminium (2024-T4) | | |
| Aluminium (6061-T6) | 310 bar working pressure | 240 bar working pressure |
| Cast Aluminium (356-T6) | 1,000 bar proof pressure | 800 bar proof pressure |

| | Stainless Steel (300 Series) Plug Body | |
|--------------------------|--|--|
| | Ø 3-10 | Ø 12-32 |
| Steel (SAE 1144) | 450 bar working pressure 1,300 bar proof pressure | 450 bar working pressure 1,100 bar proof pressure |
| Steel (SAE 10L15) | | |
| Cast Iron (ASTM A48) | | |
| Ductile Iron (ASTM A356) | | |
| Aluminium (2024-T4) | | |
| Aluminium (6061-T6) | 380 bar working pressure | 280 bar working pressure |
| Cast Aluminium (356-T6) | 1,200 bar proof pressure | 900 bar proof pressure |

| | Aluminium (2024-T4) Plug Body | |
|--------------------------|--|--|
| | Ø 3-10 | Ø 12-32 |
| Steel (SAE 1144) | 450 bar working pressure 1,300 bar proof pressure | 350 bar working pressure 1,100 bar proof pressure |
| Steel (SAE 10L15) | | |
| Cast Iron (ASTM A48) | | |
| Ductile Iron (ASTM A356) | | |
| Aluminium (2024-T4) | | |
| Aluminium (6061-T6) | 380 bar working pressure | 280 bar working pressure |
| Cast Aluminium (356-T6) | 1,200 bar proof pressure | 900 bar proof pressure |