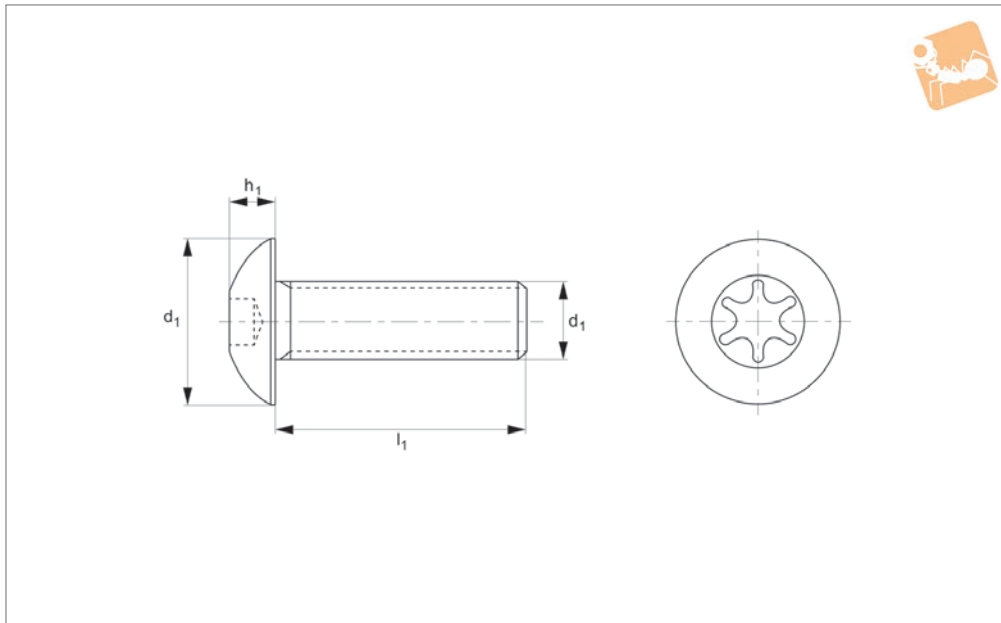
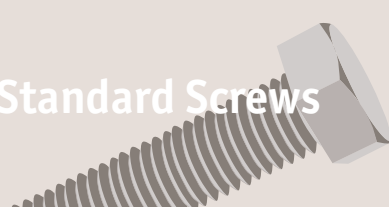




# Pin TX Security Screws

Security - A2 stainless

Standard Screws



**P0217.A2**

STANDARD SCREWS

**Material**

Stainless steel A2.

**Technical Notes**

To ISO 7380, but with pin TX feature.

These are security screw. The TX head has a special pin, preventing tampering with the screw.

A special security TX head key is needed to

tighten or loosen the screw.

See technical page for tightening torques.

Order No.	d <sub>1</sub>	l <sub>1</sub>	d <sub>2</sub>	h <sub>1</sub>	Size
P0217.030-006-A2	M 3	6	5.5	1.6	TX-10
P0217.030-008-A2	M 3	8	5.5	1.6	TX-10
P0217.030-010-A2	M 3	10	5.5	1.6	TX-10
P0217.030-012-A2	M 3	12	5.5	1.6	TX-10
P0217.030-016-A2	M 3	16	5.5	1.6	TX-10
P0217.030-020-A2	M 3	20	5.5	1.6	TX-10
P0217.030-025-A2	M 3	25	5.5	1.6	TX-10
P0217.030-030-A2	M 3	30	5.5	1.6	TX10
P0217.040-006-A2	M 4	6	7.4	2.1	TX-20
P0217.040-008-A2	M 4	8	7.4	2.1	TX-20
P0217.040-010-A2	M 4	10	7.4	2.1	TX-20
P0217.040-012-A2	M 4	12	7.4	2.1	TX-20
P0217.040-016-A2	M 4	16	7.4	2.1	TX-20
P0217.040-020-A2	M 4	20	7.4	2.1	TX-20
P0217.040-025-A2	M 4	25	7.4	2.1	TX-20
P0217.040-030-A2	M 4	30	7.4	2.1	TX-20
P0217.040-035-A2	M 4	35	7.4	2.1	TX-20
P0217.040-040-A2	M 4	40	7.4	2.1	TX-20
P0217.040-045-A2	M 4	45	7.4	2.1	TX-20
P0217.040-050-A2	M 4	50	7.4	2.1	TX-20
P0217.040-060-A2	M 4	60	7.4	2.1	TX-20
P0217.050-008-A2	M 5	8	9.3	2.7	TX-25
P0217.050-010-A2	M 5	10	9.3	2.7	TX-25
P0217.050-012-A2	M 5	12	9.3	2.7	TX-25
P0217.050-016-A2	M 5	16	9.3	2.7	TX-25
P0217.050-020-A2	M 5	20	9.3	2.7	TX-25
P0217.050-025-A2	M 5	25	9.3	2.7	TX-25
P0217.050-030-A2	M 5	30	9.3	2.7	TX25
P0217.050-035-A2	M 5	35	9.3	2.7	TX-25
P0217.050-040-A2	M 5	40	9.3	2.7	TX-25
P0217.050-045-A2	M 5	45	9.3	2.7	TX-25
P0217.050-050-A2	M 5	50	9.3	2.7	TX-25
P0217.050-060-A2	M 5	60	9.3	2.7	TX-25
P0217.060-008-A2	M 6	8	10.4	3.2	TX-30



STANDARD SCREWS

Order No.	d <sub>1</sub>	l <sub>1</sub>	d <sub>2</sub>	h <sub>1</sub>	Size
P0217.060-010-A2	M 6	10	10.4	3.2	TX-30
P0217.060-012-A2	M 6	12	10.4	3.2	TX-30
P0217.060-016-A2	M 6	16	10.4	3.2	TX-30
P0217.060-020-A2	M 6	20	10.4	3.2	TX-30
P0217.060-025-A2	M 6	25	10.4	3.2	TX-30
P0217.060-030-A2	M 6	30	10.4	3.2	TX-30
P0217.060-040-A2	M 6	40	10.4	3.2	TX-30
P0217.060-050-A2	M 6	50	10.4	3.2	TX-30
P0217.060-060-A2	M 6	60	10.4	3.2	TX-30
P0217.060-080-A2	M 6	80	10.4	3.2	TX-30
P0217.080-010-A2	M 8	10	13.7	4.3	TX-40
P0217.080-012-A2	M 8	12	13.7	4.3	TX-40
P0217.080-016-A2	M 8	16	13.7	4.3	TX-40
P0217.080-020-A2	M 8	20	13.7	4.3	TX-40
P0217.080-025-A2	M 8	25	13.7	4.3	TX-40
P0217.080-030-A2	M 8	30	13.7	4.3	TX-40
P0217.080-035-A2	M 8	35	13.7	4.3	TX-40
P0217.080-040-A2	M 8	40	13.7	4.3	TX-40
P0217.080-050-A2	M 8	50	13.7	4.3	TX-40
P0217.080-060-A2	M 8	60	13.7	4.3	TX-40
P0217.080-070-A2	M 8	70	13.7	4.3	TX-40
P0217.080-080-A2	M 8	80	13.7	4.3	TX-40
P0217.080-100-A2	M 8	100	13.7	4.3	TX-40
P0217.100-016-A2	M10	16	17.0	5.8	TX-45
P0217.100-020-A2	M10	20	17.0	5.8	TX-45
P0217.100-025-A2	M10	25	17.0	5.8	TX-45
P0217.100-030-A2	M10	30	17.0	5.8	TX-45
P0217.100-035-A2	M10	35	17.0	5.8	TX-45
P0217.100-040-A2	M10	40	17.0	5.8	TX-45
P0217.100-050-A2	M10	50	17.0	5.8	TX-45
P0217.100-060-A2	M10	60	17.0	5.8	TX-45
P0217.100-065-A2	M10	65	17.0	5.8	TX-45
P0217.100-070-A2	M10	70	17.0	5.8	TX-45
P0217.100-080-A2	M10	80	17.0	5.8	TX-45