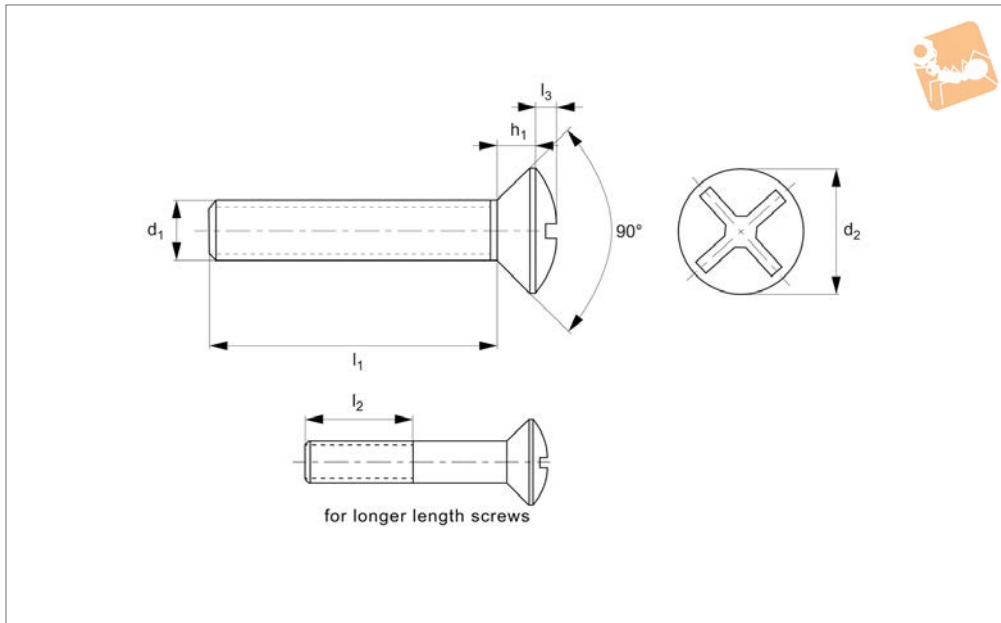
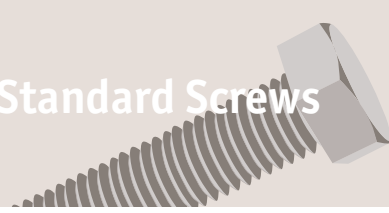




Raised C'sunk Phillips Machine Screws

Phillips raised - steel, zinc-plated

Standard Screws



P0226.ZP

STANDARD SCREWS

Material

Steel, zinc-plated (grade 4.8).

lengths the threads goes all the way to the head of the screw (i.e. $l_1 = l_2$) less 2.5 thread pitches.

portion $l_2 < l_1$.

Technical Notes

To DIN 966. For the majority of screw

For longer length screws the threaded

Order No.	d ₁	l ₁	d ₂	l ₂	l ₃	h ₁	Size
P0226.025-004-ZP	M2,5	4	4.7	-	0.6	1.5	PH-1
P0226.025-005-ZP	M2,5	5	4.7	-	0.6	1.5	PH-1
P0226.025-006-ZP	M2,5	6	4.7	-	0.6	1.5	PH-1
P0226.025-008-ZP	M2,5	8	4.7	-	0.6	1.5	PH-1
P0226.025-010-ZP	M2,5	10	4.7	-	0.6	1.5	PH-1
P0226.025-012-ZP	M2,5	12	4.7	-	0.6	1.5	PH-1
P0226.025-014-ZP	M2,5	14	4.7	-	0.6	1.5	PH-1
P0226.025-016-ZP	M2,5	16	4.7	-	0.6	1.5	PH-1
P0226.025-018-ZP	M2,5	18	4.7	18	0.6	1.5	PH-1
P0226.025-020-ZP	M2,5	20	4.7	18	0.6	1.5	PH-1
P0226.030-004-ZP	M 3	4	5.6	-	0.75	1.65	PH-1
P0226.030-005-ZP	M 3	5	5.6	-	0.75	1.65	PH-1
P0226.030-006-ZP	M 3	6	5.6	-	0.75	1.65	PH-1
P0226.030-008-ZP	M 3	8	5.6	-	0.75	1.65	PH-1
P0226.030-010-ZP	M 3	10	5.6	-	0.75	1.65	PH-1
P0226.030-012-ZP	M 3	12	5.6	-	0.75	1.65	PH-1
P0226.030-014-ZP	M 3	14	5.6	-	0.75	1.65	PH-1
P0226.030-016-ZP	M 3	16	5.6	-	0.75	1.65	PH-1
P0226.030-018-ZP	M 3	18	5.6	-	0.75	1.65	PH-1
P0226.030-020-ZP	M 3	20	5.6	19	0.75	1.65	PH-1
P0226.030-022-ZP	M 3	22	5.6	19	0.75	1.65	PH-1
P0226.030-025-ZP	M 3	25	5.6	19	0.75	1.65	PH-1
P0226.030-028-ZP	M 3	28	5.6	19	0.75	1.65	PH-1
P0226.030-030-ZP	M 3	30	5.6	19	0.75	1.65	PH-1
P0226.030-035-ZP	M 3	35	5.6	19	0.75	1.65	PH-1
P0226.030-040-ZP	M 3	40	5.6	19	0.75	1.65	PH-1
P0226.030-045-ZP	M 3	45	5.6	19	0.75	1.65	PH-1
P0226.030-050-ZP	M 3	50	5.6	19	0.75	1.65	PH-1
P0226.040-005-ZP	M 4	5	7.5	-	1.0	2.2	PH-2
P0226.040-006-ZP	M 4	6	7.5	-	1.0	2.2	PH-2
P0226.040-008-ZP	M 4	8	7.5	-	1.0	2.2	PH-2
P0226.040-010-ZP	M 4	10	7.5	-	1.0	2.2	PH-2
P0226.040-012-ZP	M 4	12	7.5	-	1.0	2.2	PH-2
P0226.040-014-ZP	M 4	14	7.5	-	1.0	2.2	PH-2



STANDARD SCREWS

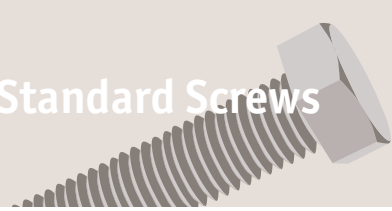
Order No.	d ₁	l ₁	d ₂	l ₂	l ₃	h ₁	Size
P0226.040-016-ZP	M 4	16	7.5	-	1.0	2.2	PH-2
P0226.040-018-ZP	M 4	18	7.5	-	1.0	2.2	PH-2
P0226.040-020-ZP	M 4	20	7.5	-	1.0	2.2	PH-2
P0226.040-022-ZP	M 4	22	7.5	22	1.0	2.2	PH-2
P0226.040-025-ZP	M 4	25	7.5	22	1.0	2.2	PH-2
P0226.040-028-ZP	M 4	28	7.5	22	1.0	2.2	PH-2
P0226.040-030-ZP	M 4	30	7.5	22	1.0	2.2	PH-2
P0226.040-035-ZP	M 4	35	7.5	22	1.0	2.2	PH-2
P0226.040-040-ZP	M 4	40	7.5	22	1.0	2.2	PH-2
P0226.040-045-ZP	M 4	45	7.5	22	1.0	2.2	PH-2
P0226.040-050-ZP	M 4	50	7.5	22	1.0	2.2	PH-2
P0226.040-055-ZP	M 4	55	7.5	22	1.0	2.2	PH-2
P0226.040-060-ZP	M 4	60	7.5	22	1.0	2.2	PH-2
P0226.040-065-ZP	M 4	65	7.5	22	1.0	2.2	PH-2
P0226.040-070-ZP	M 4	70	7.5	22	1.0	2.2	PH-2
P0226.050-006-ZP	M 5	6	9.2	-	1.25	2.5	PH-2
P0226.050-008-ZP	M 5	8	9.2	-	1.25	2.5	PH-2
P0226.050-010-ZP	M 5	10	9.2	-	1.25	2.5	PH-2
P0226.050-012-ZP	M 5	12	9.2	-	1.25	2.5	PH-2
P0226.050-014-ZP	M 5	14	9.2	-	1.25	2.5	PH-2
P0226.050-016-ZP	M 5	16	9.2	-	1.25	2.5	PH-2
P0226.050-018-ZP	M 5	18	9.2	-	1.25	2.5	PH-2
P0226.050-020-ZP	M 5	20	9.2	-	1.25	2.5	PH-2
P0226.050-022-ZP	M 5	22	9.2	-	1.25	2.5	PH-2
P0226.050-025-ZP	M 5	25	9.2	25	1.25	2.5	PH-2
P0226.050-028-ZP	M 5	28	9.2	25	1.25	2.5	PH-2
P0226.050-030-ZP	M 5	30	9.2	25	1.25	2.5	PH-2
P0226.050-035-ZP	M 5	35	9.2	25	1.25	2.5	PH-2
P0226.050-040-ZP	M 5	40	9.2	25	1.25	2.5	PH-2
P0226.050-045-ZP	M 5	45	9.2	25	1.25	2.5	PH-2
P0226.050-050-ZP	M 5	50	9.2	25	1.25	2.5	PH-2
P0226.050-055-ZP	M 5	55	9.2	25	1.25	2.5	PH-2
P0226.050-060-ZP	M 5	60	9.2	25	1.25	2.5	PH-2
P0226.050-065-ZP	M 5	65	9.2	25	1.25	2.5	PH-2
P0226.050-070-ZP	M 5	70	9.2	25	1.25	2.5	PH-2
P0226.050-075-ZP	M 5	75	9.2	25	1.25	2.5	PH-2
P0226.050-080-ZP	M 5	80	9.2	25	1.25	2.5	PH-2
P0226.050-085-ZP	M 5	85	9.2	25	1.25	2.5	PH-2
P0226.050-090-ZP	M 5	90	9.2	25	1.25	2.5	PH-2
P0226.050-095-ZP	M 5	95	9.2	25	1.25	2.5	PH-2
P0226.050-100-ZP	M 5	100	9.2	25	1.25	2.5	PH-2
P0226.060-008-ZP	M 6	8	11.0	-	1.5	3.0	PH-3
P0226.060-010-ZP	M 6	10	11.0	-	1.5	3.0	PH-3
P0226.060-012-ZP	M 6	12	11.0	-	1.5	3.0	PH-3
P0226.060-014-ZP	M 6	14	11.0	-	1.5	3.0	PH-3
P0226.060-016-ZP	M 6	16	11.0	-	1.5	3.0	PH-3
P0226.060-018-ZP	M 6	18	11.0	-	1.5	3.0	PH-3
P0226.060-020-ZP	M 6	20	11.0	-	1.5	3.0	PH-3
P0226.060-022-ZP	M 6	22	11.0	-	1.5	3.0	PH-3
P0226.060-025-ZP	M 6	25	11.0	-	1.5	3.0	PH-3
P0226.060-028-ZP	M 6	28	11.0	28	1.5	3.0	PH-3
P0226.060-030-ZP	M 6	30	11.0	28	1.5	3.0	PH-3
P0226.060-035-ZP	M 6	35	11.0	28	1.5	3.0	PH-3
P0226.060-040-ZP	M 6	40	11.0	28	1.5	3.0	PH-3
P0226.060-045-ZP	M 6	45	11.0	28	1.5	3.0	PH-3
P0226.060-050-ZP	M 6	50	11.0	28	1.5	3.0	PH-3
P0226.060-055-ZP	M 6	55	11.0	28	1.5	3.0	PH-3
P0226.060-060-ZP	M 6	60	11.0	28	1.5	3.0	PH-3
P0226.060-065-ZP	M 6	65	11.0	28	1.5	3.0	PH-3
P0226.060-070-ZP	M 6	70	11.0	28	1.5	3.0	PH-3
P0226.060-075-ZP	M 6	75	11.0	28	1.5	3.0	PH-3
P0226.060-080-ZP	M 6	80	11.0	28	1.5	3.0	PH-3
P0226.060-085-ZP	M 6	85	11.0	28	1.5	3.0	PH-3
P0226.060-090-ZP	M 6	90	11.0	28	1.5	3.0	PH-3
P0226.060-095-ZP	M 6	95	11.0	28	1.5	3.0	PH-3
P0226.060-100-ZP	M 6	100	11.0	28	1.5	3.0	PH-3
P0226.080-010-ZP	M 8	10	14.5	-	2.0	4.0	PH-4
P0226.080-012-ZP	M 8	12	14.5	-	2.0	4.0	PH-4
P0226.080-014-ZP	M 8	14	14.5	-	2.0	4.0	PH-4



Raised C'sunk Phillips Machine Screws

Phillips raised - steel, zinc-plated

Standard Screws



Order No.	d ₁	l ₁	d ₂	l ₂	l ₃	h ₁	Size
P0226.080-016-ZP	M 8	16	14.5	-	2.0	4.0	PH-4
P0226.080-018-ZP	M 8	18	14.5	-	2.0	4.0	PH-4
P0226.080-020-ZP	M 8	20	14.5	-	2.0	4.0	PH-4
P0226.080-022-ZP	M 8	22	14.5	-	2.0	4.0	PH-4
P0226.080-025-ZP	M 8	25	14.5	-	2.0	4.0	PH-4
P0226.080-028-ZP	M 8	28	14.5	-	2.0	4.0	PH-4
P0226.080-030-ZP	M 8	30	14.5	-	2.0	4.0	PH-4
P0226.080-035-ZP	M 8	35	14.5	34	2.0	4.0	PH-4
P0226.080-040-ZP	M 8	40	14.5	34	2.0	4.0	PH-4
P0226.080-045-ZP	M 8	45	14.5	34	2.0	4.0	PH-4
P0226.080-050-ZP	M 8	50	14.5	34	2.0	4.0	PH-4
P0226.080-055-ZP	M 8	55	14.5	34	2.0	4.0	PH-4
P0226.080-060-ZP	M 8	60	14.5	34	2.0	4.0	PH-4
P0226.080-065-ZP	M 8	65	14.5	34	2.0	4.0	PH-4
P0226.080-070-ZP	M 8	70	14.5	34	2.0	4.0	PH-4
P0226.080-075-ZP	M 8	75	14.5	34	2.0	4.0	PH-4
P0226.080-080-ZP	M 8	80	14.5	34	2.0	4.0	PH-4
P0226.080-085-ZP	M 8	85	14.5	34	2.0	4.0	PH-4
P0226.080-090-ZP	M 8	90	14.5	34	2.0	4.0	PH-4
P0226.080-095-ZP	M 8	95	14.5	34	2.0	4.0	PH-4
P0226.080-100-ZP	M 8	100	14.5	34	2.0	4.0	PH-4
P0226.100-020-ZP	M10	20	18.0	-	2.5	5.0	PH-4
P0226.100-022-ZP	M10	22	18.0	-	2.5	5.0	PH-4
P0226.100-025-ZP	M10	25	18.0	-	2.5	5.0	PH-4
P0226.100-028-ZP	M10	28	18.0	-	2.5	5.0	PH-4
P0226.100-030-ZP	M10	30	18.0	-	2.5	5.0	PH-4
P0226.100-035-ZP	M10	35	18.0	-	2.5	5.0	PH-4
P0226.100-040-ZP	M10	40	18.0	40	2.5	5.0	PH-4
P0226.100-045-ZP	M10	45	18.0	40	2.5	5.0	PH-4
P0226.100-050-ZP	M10	50	18.0	40	2.5	5.0	PH-4
P0226.100-055-ZP	M10	55	18.0	40	2.5	5.0	PH-4
P0226.100-060-ZP	M10	60	18.0	40	2.5	5.0	PH-4

STANDARD SCREWS