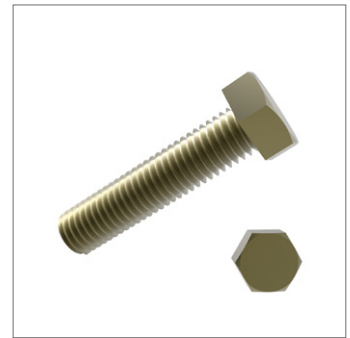
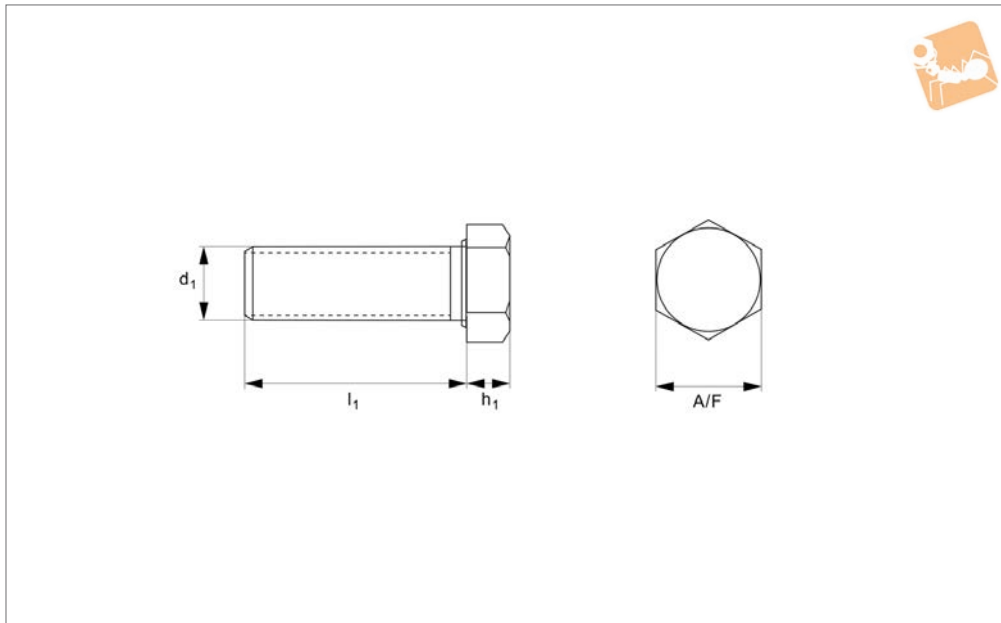




Hexagon Head Set Screws

Brass

Standard Screws



P0260.BR

STANDARD SCREWS

Material

Brass.

Technical Notes

To DIN 933, ISO 4017.

Order No.	d ₁	l ₁	h ₁	A/F	Material
P0260.030-005-BR	M 3	5	2.0	5.5	Brass
P0260.030-006-BR	M 3	6	2.0	5.5	Brass
P0260.030-008-BR	M 3	8	2.0	5.5	Brass
P0260.030-010-BR	M 3	10	2.0	5.5	Brass
P0260.030-012-BR	M 3	12	2.0	5.5	Brass
P0260.030-014-BR	M 3	14	2.0	5.5	Brass
P0260.030-016-BR	M 3	16	2.0	5.5	Brass
P0260.030-018-BR	M 3	18	2.0	5.5	Brass
P0260.030-020-BR	M 3	20	2.0	5.5	Brass
P0260.030-022-BR	M 3	22	2.0	5.5	Brass
P0260.030-025-BR	M 3	25	2.0	5.5	Brass
P0260.030-030-BR	M 3	30	2.0	5.5	Brass
P0260.040-006-BR	M 4	6	2.8	7	Brass
P0260.040-008-BR	M 4	8	2.8	7	Brass
P0260.040-010-BR	M 4	10	2.8	7	Brass
P0260.040-012-BR	M 4	12	2.8	7	Brass
P0260.040-014-BR	M 4	14	2.8	7	Brass
P0260.040-016-BR	M 4	16	2.8	7	Brass
P0260.040-018-BR	M 4	18	2.8	7	Brass
P0260.040-020-BR	M 4	20	2.8	7	Brass
P0260.040-022-BR	M 4	22	2.8	7	Brass
P0260.040-025-BR	M 4	25	2.8	7	Brass
P0260.040-030-BR	M 4	30	2.8	7	Brass
P0260.040-035-BR	M 4	35	2.8	7	Brass
P0260.040-040-BR	M 4	40	2.8	7	Brass
P0260.040-045-BR	M 4	45	2.8	7	Brass
P0260.040-050-BR	M 4	50	2.8	7	Brass
P0260.040-060-BR	M 4	60	2.8	7	Brass
P0260.050-006-BR	M 5	6	3.5	8	Brass
P0260.050-008-BR	M 5	8	3.5	8	Brass
P0260.050-010-BR	M 5	10	3.5	8	Brass
P0260.050-012-BR	M 5	12	3.5	8	Brass
P0260.050-014-BR	M 5	14	3.5	8	Brass
P0260.050-016-BR	M 5	16	3.5	8	Brass
P0260.050-018-BR	M 5	18	3.5	8	Brass



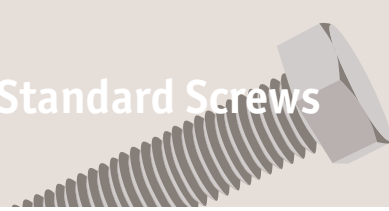
Order No.	d ₁	l ₁	h ₁	A/F	Material
P0260.050-020-BR	M 5	20	3.5	8	Brass
P0260.050-022-BR	M 5	22	3.5	8	Brass
P0260.050-025-BR	M 5	25	3.5	8	Brass
P0260.050-030-BR	M 5	30	3.5	8	Brass
P0260.050-035-BR	M 5	35	3.5	8	Brass
P0260.050-040-BR	M 5	40	3.5	8	Brass
P0260.050-045-BR	M 5	45	3.5	8	Brass
P0260.050-050-BR	M 5	50	3.5	8	Brass
P0260.050-060-BR	M 5	60	3.5	8	Brass
P0260.060-008-BR	M 6	8	4.0	10	Brass
P0260.060-010-BR	M 6	10	4.0	10	Brass
P0260.060-012-BR	M 6	12	4.0	10	Brass
P0260.060-014-BR	M 6	14	4.0	10	Brass
P0260.060-016-BR	M 6	16	4.0	10	Brass
P0260.060-018-BR	M 6	18	4.0	10	Brass
P0260.060-020-BR	M 6	20	4.0	10	Brass
P0260.060-022-BR	M 6	22	4.0	10	Brass
P0260.060-025-BR	M 6	25	4.0	10	Brass
P0260.060-030-BR	M 6	30	4.0	10	Brass
P0260.060-035-BR	M 6	35	4.0	10	Brass
P0260.060-040-BR	M 6	40	4.0	10	Brass
P0260.060-045-BR	M 6	45	4.0	10	Brass
P0260.060-050-BR	M 6	50	4.0	10	Brass
P0260.060-060-BR	M 6	60	4.0	10	Brass
P0260.060-065-BR	M 6	65	4.0	10	Brass
P0260.060-070-BR	M 6	70	4.0	10	Brass
P0260.060-075-BR	M 6	75	4.0	10	Brass
P0260.060-080-BR	M 6	80	4.0	10	Brass
P0260.060-090-BR	M 6	90	4.0	10	Brass
P0260.060-100-BR	M 6	100	4.0	10	Brass
P0260.080-010-BR	M 8	10	5.3	13	Brass
P0260.080-012-BR	M 8	12	5.3	13	Brass
P0260.080-014-BR	M 8	14	5.3	13	Brass
P0260.080-016-BR	M 8	16	5.3	13	Brass
P0260.080-018-BR	M 8	18	5.3	13	Brass
P0260.080-020-BR	M 8	20	5.3	13	Brass
P0260.080-022-BR	M 8	22	5.3	13	Brass
P0260.080-025-BR	M 8	25	5.3	13	Brass
P0260.080-030-BR	M 8	30	5.3	13	Brass
P0260.080-035-BR	M 8	35	5.3	13	Brass
P0260.080-040-BR	M 8	40	5.3	13	Brass
P0260.080-045-BR	M 8	45	5.3	13	Brass
P0260.080-050-BR	M 8	50	5.3	13	Brass
P0260.080-055-BR	M 8	55	5.3	13	Brass
P0260.080-060-BR	M 8	60	5.3	13	Brass
P0260.080-065-BR	M 8	65	5.3	13	Brass
P0260.080-070-BR	M 8	70	5.3	13	Brass
P0260.080-075-BR	M 8	75	5.3	13	Brass
P0260.080-080-BR	M 8	80	5.3	13	Brass
P0260.080-090-BR	M 8	90	5.3	13	Brass
P0260.080-100-BR	M 8	100	5.3	13	Brass
P0260.100-012-BR	M10	12	6.4	17	Brass
P0260.100-014-BR	M10	14	6.4	17	Brass
P0260.100-016-BR	M10	16	6.4	17	Brass
P0260.100-018-BR	M10	18	6.4	17	Brass
P0260.100-020-BR	M10	20	6.4	17	Brass
P0260.100-025-BR	M10	25	6.4	17	Brass
P0260.100-030-BR	M10	30	6.4	17	Brass
P0260.100-035-BR	M10	35	6.4	17	Brass
P0260.100-040-BR	M10	40	6.4	17	Brass
P0260.100-045-BR	M10	45	6.4	17	Brass
P0260.100-050-BR	M10	50	6.4	17	Brass
P0260.100-055-BR	M10	55	6.4	17	Brass
P0260.100-060-BR	M10	60	6.4	17	Brass
P0260.100-065-BR	M10	65	6.4	17	Brass
P0260.100-070-BR	M10	70	6.4	17	Brass
P0260.100-075-BR	M10	75	6.4	17	Brass
P0260.100-080-BR	M10	80	6.4	17	Brass
P0260.100-090-BR	M10	90	6.4	17	Brass



Hexagon Head Set Screws

Brass

Standard Screws



Order No.	d ₁	l ₁	h ₁	A/F	Material
P0260.100-100-BR	M10	100	6.4	17	Brass
P0260.120-016-BR	M12	16	7.5	19	Brass
P0260.120-018-BR	M12	18	7.5	19	Brass
P0260.120-020-BR	M12	20	7.5	19	Brass
P0260.120-022-BR	M12	22	7.5	19	Brass
P0260.120-025-BR	M12	25	7.5	19	Brass
P0260.120-030-BR	M12	30	7.5	19	Brass
P0260.120-035-BR	M12	35	7.5	19	Brass
P0260.120-040-BR	M12	40	7.5	19	Brass
P0260.120-045-BR	M12	45	7.5	19	Brass
P0260.120-050-BR	M12	50	7.5	19	Brass
P0260.120-055-BR	M12	55	7.5	19	Brass
P0260.120-060-BR	M12	60	7.5	19	Brass
P0260.120-065-BR	M12	65	7.5	19	Brass
P0260.120-070-BR	M12	70	7.5	19	Brass
P0260.120-075-BR	M12	75	7.5	19	Brass
P0260.120-080-BR	M12	80	7.5	19	Brass
P0260.120-090-BR	M12	90	7.5	19	Brass
P0260.120-100-BR	M12	100	7.5	19	Brass
P0260.140-020-BR	M14	20	8.8	22	Brass
P0260.140-022-BR	M14	22	8.8	22	Brass
P0260.140-025-BR	M14	25	8.8	22	Brass
P0260.140-030-BR	M14	30	8.8	22	Brass
P0260.140-035-BR	M14	35	8.8	22	Brass
P0260.140-040-BR	M14	40	8.8	22	Brass
P0260.140-045-BR	M14	45	8.8	22	Brass
P0260.140-050-BR	M14	50	8.8	22	Brass
P0260.140-060-BR	M14	60	8.8	22	Brass
P0260.140-065-BR	M14	65	8.8	22	Brass
P0260.140-070-BR	M14	70	8.8	22	Brass
P0260.140-080-BR	M14	80	8.8	22	Brass
P0260.140-090-BR	M14	90	8.8	22	Brass
P0260.140-100-BR	M14	100	8.8	22	Brass
P0260.160-020-BR	M16	20	10	24	Brass
P0260.160-022-BR	M16	22	10	24	Brass
P0260.160-025-BR	M16	25	10	24	Brass
P0260.160-030-BR	M16	30	10	24	Brass
P0260.160-035-BR	M16	35	10	24	Brass
P0260.160-040-BR	M16	40	10	24	Brass
P0260.160-045-BR	M16	45	10	24	Brass
P0260.160-050-BR	M16	50	10	24	Brass
P0260.160-055-BR	M16	55	10	24	Brass
P0260.160-060-BR	M16	60	10	24	Brass
P0260.160-065-BR	M16	65	10	24	Brass
P0260.160-070-BR	M16	70	10	24	Brass
P0260.160-075-BR	M16	75	10	24	Brass
P0260.160-080-BR	M16	80	10	24	Brass
P0260.160-090-BR	M16	90	10	24	Brass
P0260.160-100-BR	M16	100	10	24	Brass
P0260.160-110-BR	M16	110	10	24	Brass
P0260.160-120-BR	M16	120	10	24	Brass
P0260.200-030-BR	M20	30	12.5	30	Brass
P0260.200-035-BR	M20	35	12.5	30	Brass
P0260.200-040-BR	M20	40	12.5	30	Brass
P0260.200-045-BR	M20	45	12.5	30	Brass
P0260.200-050-BR	M20	50	12.5	30	Brass
P0260.200-055-BR	M20	55	12.5	30	Brass
P0260.200-060-BR	M20	60	12.5	30	Brass
P0260.200-065-BR	M20	65	12.5	30	Brass
P0260.200-070-BR	M20	70	12.5	30	Brass
P0260.200-075-BR	M20	75	12.5	30	Brass
P0260.200-080-BR	M20	80	12.5	30	Brass
P0260.200-090-BR	M20	90	12.5	30	Brass
P0260.200-100-BR	M20	100	12.5	30	Brass
P0260.200-110-BR	M20	110	12.5	30	Brass
P0260.200-120-BR	M20	120	12.5	30	Brass

STANDARD SCREWS