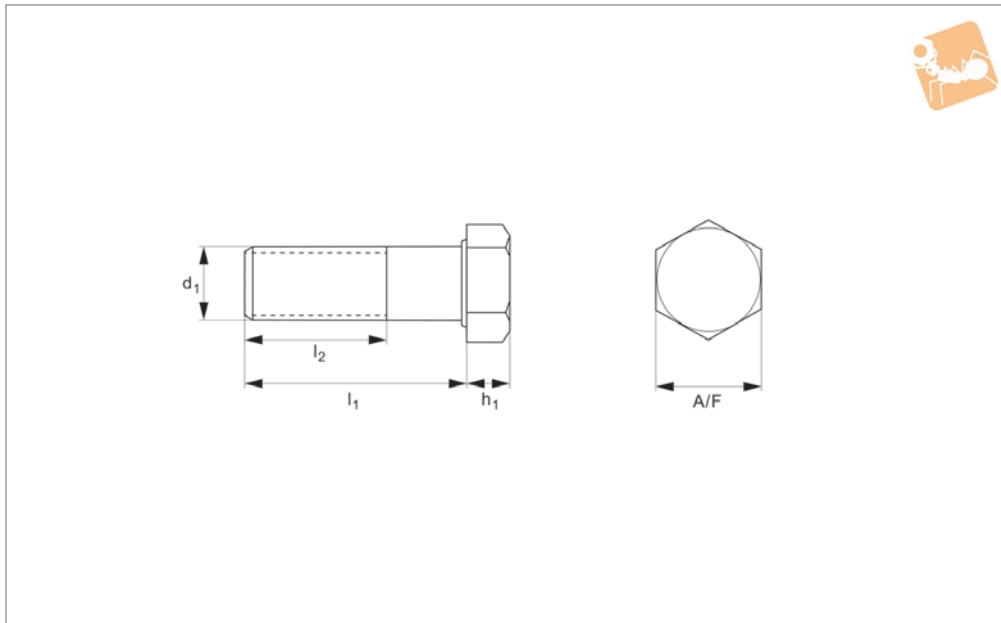




Hexagon Head Bolts

Steel, self-colour

Standard Screws



P0262.SC

STANDARD SCREWS

Material

Steel, self-colour (grade 8.8).

Technical Notes

To DIN 931, ISO 4014.

Order No.	d ₁	l ₁	h ₁	l ₂	A/F	Material
P0262.050-025-SC	M 5	25	3.35	16	8	Steel SC
P0262.050-030-SC	M 5	30	3.35	16	8	Steel SC
P0262.050-035-SC	M 5	35	3.35	16	8	Steel SC
P0262.050-040-SC	M 5	40	3.35	16	8	Steel SC
P0262.050-045-SC	M 5	45	3.35	16	8	Steel SC
P0262.050-050-SC	M 5	50	3.35	16	8	Steel SC
P0262.050-055-SC	M 5	55	3.35	16	8	Steel SC
P0262.050-060-SC	M 5	60	3.35	16	8	Steel SC
P0262.050-065-SC	M 5	65	3.35	16	8	Steel SC
P0262.050-070-SC	M 5	70	3.35	16	8	Steel SC
P0262.050-075-SC	M 5	75	3.35	16	8	Steel SC
P0262.050-080-SC	M 5	80	3.35	16	8	Steel SC
P0262.050-085-SC	M 5	85	3.35	16	8	Steel SC
P0262.050-090-SC	M 5	90	3.35	16	8	Steel SC
P0262.050-095-SC	M 5	95	3.35	16	8	Steel SC
P0262.050-100-SC	M 5	100	3.35	16	8	Steel SC
P0262.060-025-SC	M 6	25	3.85	18	10	Steel SC
P0262.060-030-SC	M 6	30	3.85	18	10	Steel SC
P0262.060-035-SC	M 6	35	3.85	18	10	Steel SC
P0262.060-040-SC	M 6	40	3.85	18	10	Steel SC
P0262.060-045-SC	M 6	45	3.85	18	10	Steel SC
P0262.060-050-SC	M 6	50	3.85	18	10	Steel SC
P0262.060-055-SC	M 6	55	3.85	18	10	Steel SC
P0262.060-060-SC	M 6	60	3.85	18	10	Steel SC
P0262.060-065-SC	M 6	65	3.85	18	10	Steel SC
P0262.060-070-SC	M 6	70	3.85	18	10	Steel SC
P0262.060-075-SC	M 6	75	3.85	18	10	Steel SC
P0262.060-080-SC	M 6	80	3.85	18	10	Steel SC
P0262.060-085-SC	M 6	85	3.85	18	10	Steel SC
P0262.060-090-SC	M 6	90	3.85	18	10	Steel SC
P0262.060-100-SC	M 6	100	3.85	18	10	Steel SC
P0262.060-110-SC	M 6	110	3.85	18	10	Steel SC
P0262.060-120-SC	M 6	120	3.85	18	10	Steel SC
P0262.060-130-SC	M 6	130	3.85	24	10	Steel SC
P0262.060-140-SC	M 6	140	3.85	24	10	Steel SC



STANDARD SCREWS

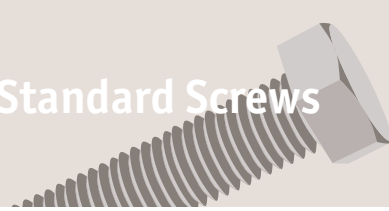
Order No.	d ₁	l ₁	h ₁	l ₂	A/F	Material
P0262.060-150-SC	M 6	150	3.85	24	10	Steel SC
P0262.060-160-SC	M 6	160	3.85	24	10	Steel SC
P0262.060-170-SC	M 6	170	3.85	24	10	Steel SC
P0262.060-180-SC	M 6	180	3.85	24	10	Steel SC
P0262.060-190-SC	M 6	190	3.85	24	10	Steel SC
P0262.060-200-SC	M 6	200	3.85	24	10	Steel SC
P0262.080-030-SC	M 8	30	5.15	22	13	Steel SC
P0262.080-035-SC	M 8	35	5.15	22	13	Steel SC
P0262.080-040-SC	M 8	40	5.15	22	13	Steel SC
P0262.080-045-SC	M 8	45	5.15	22	13	Steel SC
P0262.080-050-SC	M 8	50	5.15	22	13	Steel SC
P0262.080-055-SC	M 8	55	5.15	22	13	Steel SC
P0262.080-060-SC	M 8	60	5.15	22	13	Steel SC
P0262.080-065-SC	M 8	65	5.15	22	13	Steel SC
P0262.080-070-SC	M 8	70	5.15	22	13	Steel SC
P0262.080-075-SC	M 8	75	5.15	22	13	Steel SC
P0262.080-080-SC	M 8	80	5.15	22	13	Steel SC
P0262.080-085-SC	M 8	85	5.15	22	13	Steel SC
P0262.080-090-SC	M 8	90	5.15	22	13	Steel SC
P0262.080-095-SC	M 8	95	5.15	22	13	Steel SC
P0262.080-100-SC	M 8	100	5.15	22	13	Steel SC
P0262.080-110-SC	M 8	110	5.15	22	13	Steel SC
P0262.080-120-SC	M 8	120	5.15	22	13	Steel SC
P0262.080-130-SC	M 8	130	5.15	28	13	Steel SC
P0262.080-140-SC	M 8	140	5.15	28	13	Steel SC
P0262.080-150-SC	M 8	150	5.15	28	13	Steel SC
P0262.080-160-SC	M 8	160	5.15	28	13	Steel SC
P0262.080-170-SC	M 8	170	5.15	28	13	Steel SC
P0262.080-180-SC	M 8	180	5.15	22	13	Steel SC
P0262.080-190-SC	M 8	190	5.15	22	13	Steel SC
P0262.080-200-SC	M 8	200	5.15	28	13	Steel SC
P0262.080-210-SC	M 8	210	5.15	41	13	Steel SC
P0262.080-220-SC	M 8	220	5.15	41	13	Steel SC
P0262.080-230-SC	M 8	230	5.15	41	13	Steel SC
P0262.080-240-SC	M 8	240	5.15	41	13	Steel SC
P0262.100-035-SC	M10	35	6.22	26	17	Steel SC
P0262.100-040-SC	M10	40	6.22	26	17	Steel SC
P0262.100-045-SC	M10	45	6.22	26	17	Steel SC
P0262.100-050-SC	M10	50	6.22	26	17	Steel SC
P0262.100-055-SC	M10	55	6.22	26	17	Steel SC
P0262.100-060-SC	M10	60	6.22	26	17	Steel SC
P0262.100-065-SC	M10	65	6.22	26	17	Steel SC
P0262.100-070-SC	M10	70	6.22	26	17	Steel SC
P0262.100-075-SC	M10	75	6.22	26	17	Steel SC
P0262.100-080-SC	M10	80	6.22	26	17	Steel SC
P0262.100-085-SC	M10	85	6.22	26	17	Steel SC
P0262.100-090-SC	M10	90	6.22	26	17	Steel SC
P0262.100-095-SC	M10	95	6.22	26	17	Steel SC
P0262.100-100-SC	M10	100	6.22	26	17	Steel SC
P0262.100-110-SC	M10	110	6.22	26	17	Steel SC
P0262.100-120-SC	M10	120	6.22	26	17	Steel SC
P0262.100-130-SC	M10	130	6.22	32	17	Steel SC
P0262.100-140-SC	M10	140	6.22	32	17	Steel SC
P0262.100-150-SC	M10	150	6.22	32	17	Steel SC
P0262.100-160-SC	M10	160	6.22	32	17	Steel SC
P0262.100-170-SC	M10	170	6.22	32	17	Steel SC
P0262.100-180-SC	M10	180	6.22	32	17	Steel SC
P0262.100-200-SC	M10	200	6.22	32	17	Steel SC
P0262.100-210-SC	M10	210	6.22	45	17	Steel SC
P0262.100-220-SC	M10	220	6.22	45	17	Steel SC
P0262.100-230-SC	M10	230	6.22	45	17	Steel SC
P0262.100-240-SC	M10	240	6.22	45	17	Steel SC
P0262.100-250-SC	M10	250	6.22	45	17	Steel SC
P0262.100-260-SC	M10	260	6.22	45	17	Steel SC
P0262.100-270-SC	M10	270	6.22	45	17	Steel SC
P0262.100-280-SC	M10	280	6.22	45	17	Steel SC
P0262.100-290-SC	M10	290	6.22	45	17	Steel SC
P0262.100-300-SC	M10	300	6.22	45	17	Steel SC
P0262.100-320-SC	M10	320	6.22	45	17	Steel SC



Hexagon Head Bolts

Steel, self-colour

Standard Screws



Order No.	d ₁	l ₁	h ₁	l ₂	A/F	Material
P0262.100-340-SC	M10	340	6.22	45	17	Steel SC
P0262.100-360-SC	M10	360	6.22	45	17	Steel SC
P0262.100-380-SC	M10	380	6.22	45	17	Steel SC
P0262.100-400-SC	M10	400	6.22	45	17	Steel SC
P0262.100-420-SC	M10	420	6.22	45	17	Steel SC
P0262.100-440-SC	M10	440	6.22	45	17	Steel SC
P0262.100-460-SC	M10	460	6.22	45	17	Steel SC
P0262.100-480-SC	M10	480	6.22	45	17	Steel SC
P0262.100-500-SC	M10	500	6.22	45	17	Steel SC
P0262.120-040-SC	M12	40	7.32	30	19	Steel SC
P0262.120-045-SC	M12	45	7.32	30	19	Steel SC
P0262.120-050-SC	M12	50	7.32	30	19	Steel SC
P0262.120-055-SC	M12	55	7.32	30	19	Steel SC
P0262.120-060-SC	M12	60	7.32	30	19	Steel SC
P0262.120-065-SC	M12	65	7.32	30	19	Steel SC
P0262.120-070-SC	M12	70	7.32	30	19	Steel SC
P0262.120-075-SC	M12	75	7.32	30	19	Steel SC
P0262.120-080-SC	M12	80	7.32	30	19	Steel SC
P0262.120-085-SC	M12	85	7.32	30	19	Steel SC
P0262.120-090-SC	M12	90	7.32	30	19	Steel SC
P0262.120-100-SC	M12	100	7.32	30	19	Steel SC
P0262.120-110-SC	M12	110	7.32	30	19	Steel SC
P0262.120-120-SC	M12	120	7.32	30	19	Steel SC
P0262.120-130-SC	M12	130	7.32	36	19	Steel SC
P0262.120-140-SC	M12	140	7.32	36	19	Steel SC
P0262.120-150-SC	M12	150	7.32	36	19	Steel SC
P0262.120-160-SC	M12	160	7.32	36	19	Steel SC
P0262.120-170-SC	M12	170	7.32	36	19	Steel SC
P0262.120-180-SC	M12	180	7.32	36	19	Steel SC
P0262.120-190-SC	M12	190	7.32	36	19	Steel SC
P0262.120-200-SC	M12	200	7.32	36	19	Steel SC
P0262.120-210-SC	M12	210	7.32	49	19	Steel SC
P0262.120-220-SC	M12	220	7.32	49	19	Steel SC
P0262.120-230-SC	M12	230	7.32	49	19	Steel SC
P0262.120-240-SC	M12	240	7.32	49	19	Steel SC
P0262.120-250-SC	M12	250	7.32	49	19	Steel SC
P0262.120-260-SC	M12	260	7.32	49	19	Steel SC
P0262.120-270-SC	M12	270	7.32	49	19	Steel SC
P0262.120-280-SC	M12	280	7.32	49	19	Steel SC
P0262.120-290-SC	M12	290	7.32	49	19	Steel SC
P0262.120-300-SC	M12	300	7.32	49	19	Steel SC
P0262.120-320-SC	M12	320	7.32	49	19	Steel SC
P0262.120-340-SC	M12	340	7.32	49	19	Steel SC
P0262.120-360-SC	M12	360	7.32	49	19	Steel SC
P0262.120-380-SC	M12	380	7.32	49	19	Steel SC
P0262.120-400-SC	M12	400	7.32	49	19	Steel SC
P0262.120-420-SC	M12	420	7.32	49	19	Steel SC
P0262.120-440-SC	M12	440	7.32	49	19	Steel SC
P0262.120-460-SC	M12	460	7.32	49	19	Steel SC
P0262.120-480-SC	M12	480	7.32	49	19	Steel SC
P0262.120-500-SC	M12	500	7.32	49	19	Steel SC
P0262.140-050-SC	M14	50	8.62	34	22	Steel SC
P0262.140-055-SC	M14	55	8.62	34	22	Steel SC
P0262.140-060-SC	M14	60	8.62	34	22	Steel SC
P0262.140-065-SC	M14	65	8.62	34	22	Steel SC
P0262.140-070-SC	M14	70	8.62	34	22	Steel SC
P0262.140-075-SC	M14	75	8.62	34	22	Steel SC
P0262.140-080-SC	M14	80	8.62	34	22	Steel SC
P0262.140-085-SC	M14	85	8.62	34	22	Steel SC
P0262.140-090-SC	M14	90	8.62	34	22	Steel SC
P0262.140-095-SC	M14	95	8.62	34	22	Steel SC
P0262.140-100-SC	M14	100	8.62	34	22	Steel SC
P0262.140-110-SC	M14	110	8.62	34	22	Steel SC
P0262.140-120-SC	M14	120	8.62	34	22	Steel SC
P0262.140-130-SC	M14	130	8.62	40	22	Steel SC
P0262.140-140-SC	M14	140	8.62	40	22	Steel SC
P0262.140-150-SC	M14	150	8.62	40	22	Steel SC
P0262.140-160-SC	M14	160	8.62	40	22	Steel SC
P0262.140-170-SC	M14	170	8.62	40	22	Steel SC

STANDARD SCREWS



STANDARD SCREWS

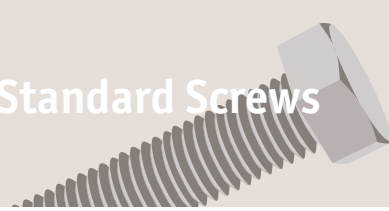
Order No.	d ₁	l ₁	h ₁	l ₂	A/F	Material
P0262.140-180-SC	M14	180	8.62	40	22	Steel SC
P0262.140-190-SC	M14	190	8.62	40	22	Steel SC
P0262.140-200-SC	M14	200	8.62	40	22	Steel SC
P0262.140-210-SC	M14	210	8.62	53	22	Steel SC
P0262.140-220-SC	M14	220	8.62	53	22	Steel SC
P0262.140-230-SC	M14	230	8.62	53	22	Steel SC
P0262.140-240-SC	M14	240	8.62	53	22	Steel SC
P0262.140-250-SC	M14	250	8.62	53	22	Steel SC
P0262.140-260-SC	M14	260	8.62	53	22	Steel SC
P0262.140-270-SC	M14	270	8.62	53	22	Steel SC
P0262.140-280-SC	M14	280	8.62	53	22	Steel SC
P0262.160-050-SC	M16	50	9.82	38	24	Steel SC
P0262.160-055-SC	M16	55	9.82	38	24	Steel SC
P0262.160-060-SC	M16	60	9.82	38	24	Steel SC
P0262.160-065-SC	M16	65	9.82	38	24	Steel SC
P0262.160-070-SC	M16	70	9.82	38	24	Steel SC
P0262.160-075-SC	M16	75	9.82	38	24	Steel SC
P0262.160-080-SC	M16	80	9.82	38	24	Steel SC
P0262.160-085-SC	M16	85	9.82	38	24	Steel SC
P0262.160-090-SC	M16	90	9.82	38	24	Steel SC
P0262.160-095-SC	M16	95	9.82	38	24	Steel SC
P0262.160-100-SC	M16	100	9.82	38	24	Steel SC
P0262.160-110-SC	M16	110	9.82	38	24	Steel SC
P0262.160-120-SC	M16	120	9.82	38	24	Steel SC
P0262.160-130-SC	M16	130	9.82	44	24	Steel SC
P0262.160-140-SC	M16	140	9.82	44	24	Steel SC
P0262.160-150-SC	M16	150	9.82	44	24	Steel SC
P0262.160-160-SC	M16	160	9.82	44	24	Steel SC
P0262.160-170-SC	M16	170	9.82	44	24	Steel SC
P0262.160-180-SC	M16	180	9.82	44	24	Steel SC
P0262.160-190-SC	M16	190	9.82	44	24	Steel SC
P0262.160-200-SC	M16	200	9.82	44	24	Steel SC
P0262.160-210-SC	M16	210	9.82	57	24	Steel SC
P0262.160-220-SC	M16	220	9.82	57	24	Steel SC
P0262.160-230-SC	M16	230	9.82	57	24	Steel SC
P0262.160-240-SC	M16	240	9.82	57	24	Steel SC
P0262.160-250-SC	M16	250	9.82	57	24	Steel SC
P0262.160-260-SC	M16	260	9.82	57	24	Steel SC
P0262.160-270-SC	M16	270	9.82	57	24	Steel SC
P0262.160-280-SC	M16	280	9.82	57	24	Steel SC
P0262.160-290-SC	M16	290	9.82	57	24	Steel SC
P0262.160-300-SC	M16	300	9.82	57	24	Steel SC
P0262.160-320-SC	M16	320	9.82	57	24	Steel SC
P0262.160-340-SC	M16	340	9.82	57	24	Steel SC
P0262.160-360-SC	M16	360	9.82	57	24	Steel SC
P0262.160-380-SC	M16	380	9.82	57	24	Steel SC
P0262.160-400-SC	M16	400	9.82	57	24	Steel SC
P0262.160-420-SC	M16	420	9.82	57	24	Steel SC
P0262.160-440-SC	M16	440	9.82	57	24	Steel SC
P0262.160-460-SC	M16	460	9.82	57	24	Steel SC
P0262.160-480-SC	M16	480	9.82	57	24	Steel SC
P0262.160-500-SC	M16	500	9.82	57	24	Steel SC
P0262.180-060-SC	M18	60	11.28	42	27	Steel SC
P0262.180-065-SC	M18	65	11.28	42	27	Steel SC
P0262.180-070-SC	M18	70	11.28	42	27	Steel SC
P0262.180-075-SC	M18	75	11.28	42	27	Steel SC
P0262.180-080-SC	M18	80	11.28	42	27	Steel SC
P0262.180-085-SC	M18	85	11.28	42	27	Steel SC
P0262.180-090-SC	M18	90	11.28	42	27	Steel SC
P0262.180-095-SC	M18	95	11.28	42	27	Steel SC
P0262.180-100-SC	M18	100	11.28	42	27	Steel SC
P0262.180-110-SC	M18	110	11.28	42	27	Steel SC
P0262.180-120-SC	M18	120	11.28	42	27	Steel SC
P0262.180-130-SC	M18	130	11.28	48	27	Steel SC
P0262.180-140-SC	M18	140	11.28	48	27	Steel SC
P0262.180-150-SC	M18	150	11.28	48	27	Steel SC
P0262.180-160-SC	M18	160	11.28	48	27	Steel SC
P0262.180-170-SC	M18	170	11.28	48	27	Steel SC
P0262.180-180-SC	M18	180	11.28	48	27	Steel SC



Hexagon Head Bolts

Steel, self-colour

Standard Screws



Order No.	d ₁	l ₁	h ₁	l ₂	A/F	Material
P0262.180-190-SC	M18	190	11.28	48	27	Steel SC
P0262.180-200-SC	M18	200	11.28	48	27	Steel SC
P0262.180-210-SC	M18	210	11.28	61	27	Steel SC
P0262.180-220-SC	M18	220	11.28	61	27	Steel SC
P0262.180-230-SC	M18	230	11.28	61	27	Steel SC
P0262.180-240-SC	M18	240	11.28	61	27	Steel SC
P0262.180-250-SC	M18	250	11.28	61	27	Steel SC
P0262.180-260-SC	M18	260	11.28	61	27	Steel SC
P0262.180-270-SC	M18	270	11.28	61	27	Steel SC
P0262.180-280-SC	M18	280	11.28	61	27	Steel SC
P0262.200-060-SC	M20	60	12.28	52	30	Steel SC
P0262.200-065-SC	M20	65	12.28	52	30	Steel SC
P0262.200-070-SC	M20	70	12.28	52	30	Steel SC
P0262.200-075-SC	M20	75	12.28	52	30	Steel SC
P0262.200-080-SC	M20	80	12.28	52	30	Steel SC
P0262.200-085-SC	M20	85	12.28	52	30	Steel SC
P0262.200-090-SC	M20	90	12.28	52	30	Steel SC
P0262.200-095-SC	M20	95	12.28	52	30	Steel SC
P0262.200-100-SC	M20	100	12.28	52	30	Steel SC
P0262.200-110-SC	M20	110	12.28	52	30	Steel SC
P0262.200-120-SC	M20	120	12.28	52	30	Steel SC
P0262.200-130-SC	M20	130	12.28	52	30	Steel SC
P0262.200-140-SC	M20	140	12.28	52	30	Steel SC
P0262.200-150-SC	M20	150	12.28	52	30	Steel SC
P0262.200-160-SC	M20	160	12.28	52	30	Steel SC
P0262.200-170-SC	M20	170	12.28	52	30	Steel SC
P0262.200-180-SC	M20	180	12.28	52	30	Steel SC
P0262.200-200-SC	M20	200	12.28	52	30	Steel SC
P0262.200-210-SC	M20	210	12.28	65	30	Steel SC
P0262.200-220-SC	M20	220	12.28	65	30	Steel SC
P0262.200-230-SC	M20	230	12.28	65	30	Steel SC
P0262.200-240-SC	M20	240	12.28	65	30	Steel SC
P0262.200-250-SC	M20	250	12.28	65	30	Steel SC
P0262.200-260-SC	M20	260	12.28	65	30	Steel SC
P0262.200-270-SC	M20	270	12.28	65	30	Steel SC
P0262.200-280-SC	M20	280	12.28	65	30	Steel SC
P0262.200-290-SC	M20	290	12.28	65	30	Steel SC
P0262.200-300-SC	M20	300	12.28	65	30	Steel SC
P0262.200-320-SC	M20	320	12.28	65	30	Steel SC
P0262.200-340-SC	M20	340	12.28	65	30	Steel SC
P0262.200-360-SC	M20	360	12.28	65	30	Steel SC
P0262.200-380-SC	M20	380	12.28	65	30	Steel SC
P0262.200-400-SC	M20	400	12.28	65	30	Steel SC
P0262.200-420-SC	M20	420	12.28	65	30	Steel SC
P0262.200-440-SC	M20	440	12.28	65	30	Steel SC
P0262.200-460-SC	M20	460	12.28	65	30	Steel SC
P0262.200-480-SC	M20	480	12.28	65	30	Steel SC
P0262.200-500-SC	M20	500	12.28	65	30	Steel SC
P0262.220-070-SC	M22	70	13.78	50	32	Steel SC
P0262.220-075-SC	M22	75	13.78	50	32	Steel SC
P0262.220-080-SC	M22	80	13.78	50	32	Steel SC
P0262.220-085-SC	M22	85	13.78	50	32	Steel SC
P0262.220-090-SC	M22	90	13.78	50	32	Steel SC
P0262.220-095-SC	M22	95	13.78	50	32	Steel SC
P0262.220-100-SC	M22	100	13.78	50	32	Steel SC
P0262.220-110-SC	M22	110	13.78	50	32	Steel SC
P0262.220-120-SC	M22	120	13.78	50	32	Steel SC
P0262.220-130-SC	M22	130	13.78	56	32	Steel SC
P0262.220-140-SC	M22	140	13.78	56	32	Steel SC
P0262.220-150-SC	M22	150	13.78	56	32	Steel SC
P0262.220-160-SC	M22	160	13.78	56	32	Steel SC
P0224.220-170-SC	M22	170	13.78	56	32	Steel SC
P0262.220-180-SC	M22	180	13.78	56	32	Steel SC
P0262.220-190-SC	M22	190	13.78	56	32	Steel SC
P0262.220-200-SC	M22	200	13.78	56	32	Steel SC
P0262.220-210-SC	M22	210	13.78	69	32	Steel SC
P0224.220-220-SC	M22	220	13.78	69	32	Steel SC
P0224.220-230-SC	M22	230	13.78	69	32	Steel SC
P0262.220-240-SC	M22	240	13.78	69	32	Steel SC

STANDARD SCREWS



STANDARD SCREWS

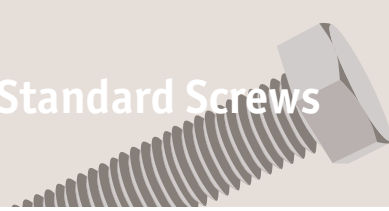
Order No.	d ₁	l ₁	h ₁	l ₂	A/F	Material
P0262.220-250-SC	M22	250	13.78	69	32	Steel SC
P0262.220-260-SC	M22	260	13.78	69	32	Steel SC
P0262.220-270-SC	M22	270	13.78	69	32	Steel SC
P0224.220-280-SC	M22	280	13.78	69	32	Steel SC
P0262.240-070-SC	M24	70	14.78	54	36	Steel SC
P0262.240-075-SC	M24	75	14.78	54	36	Steel SC
P0262.240-080-SC	M24	80	14.78	54	36	Steel SC
P0262.240-085-SC	M24	85	14.78	54	36	Steel SC
P0262.240-090-SC	M24	90	14.78	54	36	Steel SC
P0262.240-100-SC	M24	100	14.78	54	36	Steel SC
P0262.240-110-SC	M24	110	14.78	54	36	Steel SC
P0262.240-120-SC	M24	120	14.78	54	36	Steel SC
P0262.240-130-SC	M24	130	14.78	60	36	Steel SC
P0262.240-140-SC	M24	140	14.78	60	36	Steel SC
P0262.240-150-SC	M24	150	14.78	60	36	Steel SC
P0262.240-160-SC	M24	160	14.78	60	36	Steel SC
P0262.240-170-SC	M24	170	14.78	60	36	Steel SC
P0262.240-180-SC	M24	180	14.78	60	36	Steel SC
P0262.240-200-SC	M24	200	14.78	60	36	Steel SC
P0262.240-210-SC	M24	210	14.78	73	36	Steel SC
P0262.240-220-SC	M24	220	14.78	73	36	Steel SC
P0262.240-230-SC	M24	230	14.78	73	36	Steel SC
P0262.240-240-SC	M24	240	14.78	73	36	Steel SC
P0262.240-250-SC	M24	250	14.78	73	36	Steel SC
P0262.240-260-SC	M24	260	14.78	73	36	Steel SC
P0262.240-270-SC	M24	270	14.78	73	36	Steel SC
P0262.240-280-SC	M24	280	14.78	73	36	Steel SC
P0262.240-290-SC	M24	290	14.78	73	36	Steel SC
P0262.240-300-SC	M24	300	14.78	73	36	Steel SC
P0262.240-320-SC	M24	320	14.78	73	36	Steel SC
P0262.240-340-SC	M24	340	14.78	73	36	Steel SC
P0262.240-360-SC	M24	360	14.78	73	36	Steel SC
P0262.240-380-SC	M24	380	14.78	73	36	Steel SC
P0262.240-400-SC	M24	400	14.78	73	36	Steel SC
P0262.240-420-SC	M24	420	14.78	73	36	Steel SC
P0262.240-440-SC	M24	440	14.78	73	36	Steel SC
P0262.240-460-SC	M24	460	14.78	73	36	Steel SC
P0262.240-480-SC	M24	480	14.78	73	36	Steel SC
P0262.240-500-SC	M24	500	14.78	73	36	Steel SC
P0262.270-080-SC	M27	80	16.65	60	41	Steel SC
P0262.270-085-SC	M27	85	16.65	60	41	Steel SC
P0262.270-090-SC	M27	90	16.65	60	41	Steel SC
P0262.270-095-SC	M27	95	16.65	60	41	Steel SC
P0262.270-100-SC	M27	100	16.65	60	41	Steel SC
P0262.270-110-SC	M27	110	16.65	60	41	Steel SC
P0262.270-120-SC	M27	120	16.65	60	41	Steel SC
P0262.270-130-SC	M27	130	16.65	66	41	Steel SC
P0262.270-140-SC	M27	140	16.65	66	41	Steel SC
P0262.270-150-SC	M27	150	16.65	66	41	Steel SC
P0262.270-160-SC	M27	160	16.65	66	41	Steel SC
P0262.270-170-SC	M27	170	16.65	66	41	Steel SC
P0262.270-180-SC	M27	180	16.65	66	41	Steel SC
P0262.270-190-SC	M27	190	16.65	66	41	Steel SC
P0262.270-200-SC	M27	200	16.65	66	41	Steel SC
P0262.270-210-SC	M27	210	16.65	79	41	Steel SC
P0262.270-220-SC	M27	220	16.65	79	41	Steel SC
P0262.270-230-SC	M27	230	16.65	79	41	Steel SC
P0262.270-240-SC	M27	240	16.65	79	41	Steel SC
P0262.270-250-SC	M27	250	16.65	79	41	Steel SC
P0262.270-260-SC	M27	260	16.65	79	41	Steel SC
P0262.270-270-SC	M27	270	16.65	79	41	Steel SC
P0262.270-280-SC	M27	280	16.65	79	41	Steel SC
P0262.270-290-SC	M27	290	16.65	79	41	Steel SC
P0262.270-300-SC	M27	300	16.65	79	41	Steel SC
P0262.270-320-SC	M27	320	16.65	79	41	Steel SC
P0262.270-340-SC	M27	340	16.65	79	41	Steel SC
P0262.300-080-SC	M30	80	18.28	66	46	Steel SC
P0262.300-085-SC	M30	85	18.28	66	46	Steel SC
P0262.300-090-SC	M30	90	18.28	66	46	Steel SC



Hexagon Head Bolts

Steel, self-colour

Standard Screws



Order No.	d ₁	l ₁	h ₁	l ₂	A/F	Material
P0262.300-095-SC	M30	95	18.28	66	46	Steel SC
P0262.300-100-SC	M30	100	18.28	66	46	Steel SC
P0262.300-110-SC	M30	110	18.28	66	46	Steel SC
P0262.300-120-SC	M30	120	18.28	66	46	Steel SC
P0262.300-130-SC	M30	130	18.28	72	46	Steel SC
P0262.300-140-SC	M30	140	18.28	72	46	Steel SC
P0262.300-150-SC	M30	150	18.28	72	46	Steel SC
P0262.300-160-SC	M30	160	18.28	72	46	Steel SC
P0262.300-170-SC	M30	170	18.28	72	46	Steel SC
P0262.300-180-SC	M30	180	18.28	72	46	Steel SC
P0262.300-190-SC	M30	190	18.28	72	46	Steel SC
P0262.300-200-SC	M30	200	18.28	72	46	Steel SC
P0262.300-210-SC	M30	210	18.28	85	46	Steel SC
P0262.300-220-SC	M30	220	18.28	85	46	Steel SC
P0262.300-230-SC	M30	230	18.28	85	46	Steel SC
P0262.300-240-SC	M30	240	18.28	85	46	Steel SC
P0262.300-250-SC	M30	250	18.28	85	46	Steel SC
P0262.300-260-SC	M30	260	18.28	85	46	Steel SC
P0262.300-270-SC	M30	270	18.28	85	46	Steel SC
P0262.300-280-SC	M30	280	18.28	85	46	Steel SC
P0262.300-290-SC	M30	290	18.28	85	46	Steel SC
P0262.300-300-SC	M30	300	18.28	85	46	Steel SC
P0262.330-090-SC	M33	90	20.58	72	50	Steel SC
P0262.330-095-SC	M33	95	20.58	72	50	Steel SC
P0262.330-100-SC	M33	100	20.58	72	50	Steel SC
P0262.330-110-SC	M33	110	20.58	72	50	Steel SC
P0262.330-120-SC	M33	120	20.58	72	50	Steel SC
P0262.330-130-SC	M33	130	20.58	78	50	Steel SC
P0262.330-140-SC	M33	140	20.58	78	50	Steel SC
P0262.330-150-SC	M33	150	20.58	78	50	Steel SC
P0262.330-160-SC	M33	160	20.58	78	50	Steel SC
P0262.330-170-SC	M33	170	20.58	78	50	Steel SC
P0262.330-180-SC	M33	180	20.58	78	50	Steel SC
P0262.330-190-SC	M33	190	20.58	78	50	Steel SC
P0262.330-200-SC	M33	200	20.58	78	50	Steel SC
P0262.330-210-SC	M33	210	20.58	91	50	Steel SC
P0262.330-220-SC	M33	220	20.58	91	50	Steel SC
P0262.330-230-SC	M33	230	20.58	91	50	Steel SC
P0262.330-240-SC	M33	240	20.58	91	50	Steel SC
P0262.330-250-SC	M33	250	20.58	91	50	Steel SC
P0262.330-260-SC	M33	260	20.58	91	50	Steel SC
P0262.330-270-SC	M33	270	20.58	91	50	Steel SC
P0262.330-280-SC	M33	280	20.58	91	50	Steel SC
P0262.360-100-SC	M36	100	22.08	78	55	Steel SC
P0262.360-110-SC	M36	110	22.08	78	55	Steel SC
P0262.360-120-SC	M36	120	22.08	78	55	Steel SC
P0262.360-130-SC	M36	130	22.08	84	55	Steel SC
P0262.360-140-SC	M36	140	22.08	84	55	Steel SC
P0262.360-150-SC	M36	150	22.08	84	55	Steel SC
P0262.360-160-SC	M36	160	22.08	84	55	Steel SC
P0262.360-170-SC	M36	170	22.08	84	55	Steel SC
P0262.360-180-SC	M36	180	22.08	84	55	Steel SC
P0262.360-190-SC	M36	190	22.08	84	55	Steel SC
P0262.360-200-SC	M36	200	22.08	84	55	Steel SC
P0262.360-210-SC	M36	210	22.08	97	55	Steel SC
P0262.360-220-SC	M36	220	22.08	97	55	Steel SC
P0262.360-230-SC	M36	230	22.08	97	55	Steel SC
P0262.360-240-SC	M36	240	22.08	97	55	Steel SC
P0262.360-250-SC	M36	1425	22.08	97	55	Steel SC
P0262.360-260-SC	M36	260	22.08	97	55	Steel SC
P0262.360-270-SC	M36	270	22.08	97	55	Steel SC
P0262.360-280-SC	M36	280	22.08	97	55	Steel SC

STANDARD SCREWS