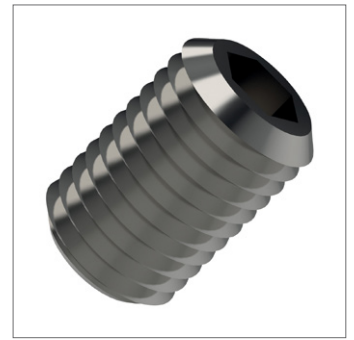
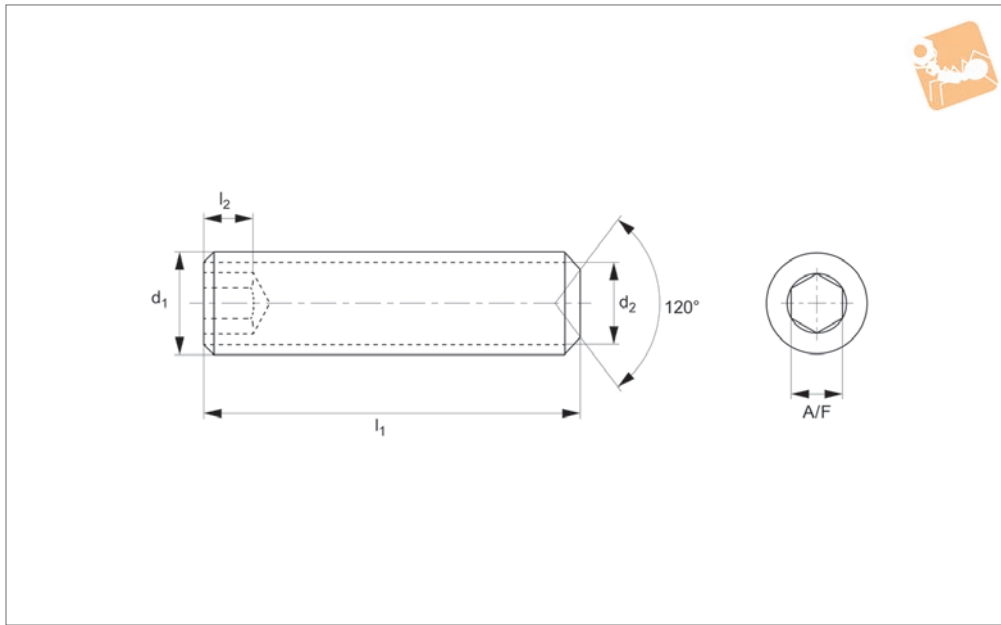




Socket Set Screws Flat Point

Flat Point - steel, zinc-plated

Standard Screws



P0272.ZP

STANDARD SCREWS

Material

Steel, zinc-plated (class 45H).

Technical Notes

To DIN 913, flat point.

Order No.	d ₁	l ₁	d ₂	l ₂ min.	A/F
P0272.020-002-ZP	M 2	2	0.75	0.8	0.9
P0272.020-003-ZP	M 2	3	0.75	0.8	0.9
P0272.020-004-ZP	M 2	4	0.75	0.8	0.9
P0272.020-005-ZP	M 2	5	0.75	0.8	0.9
P0272.020-006-ZP	M 2	6	0.75	0.8	0.9
P0272.020-008-ZP	M 2	8	0.75	0.8	0.9
P0272.020-010-ZP	M 2	10	0.75	0.8	0.9
P0272.020-012-ZP	M 2	12	0.75	0.8	0.9
P0272.020-014-ZP	M 2	14	0.75	0.8	0.9
P0272.020-016-ZP	M 2	16	0.75	0.8	0.9
P0272.025-003-ZP	M2,5	3	1.25	1.2	1.3
P0272.025-004-ZP	M2,5	4	1.25	1.2	1.3
P0272.025-005-ZP	M2,5	5	1.25	1.2	1.3
P0272.025-006-ZP	M2,5	6	1.25	1.2	1.3
P0272.025-008-ZP	M2,5	8	1.25	1.2	1.3
P0272.025-010-ZP	M2,5	10	1.25	1.2	1.3
P0272.025-012-ZP	M2,5	12	1.25	1.2	1.3
P0272.025-014-ZP	M2,5	14	1.25	1.2	1.3
P0272.025-016-ZP	M2,5	16	1.25	1.2	1.3
P0272.030-003-ZP	M 3	3	1.75	1.2	1.5
P0272.030-004-ZP	M 3	4	1.75	1.2	1.5
P0272.030-005-ZP	M 3	5	1.75	1.2	1.5
P0272.030-006-ZP	M 3	6	1.75	1.2	1.5
P0272.030-008-ZP	M 3	8	1.75	1.2	1.5
P0272.030-010-ZP	M 3	10	1.75	1.2	1.5
P0272.030-012-ZP	M 3	12	1.75	1.2	1.5
P0272.030-014-ZP	M 3	14	1.75	1.2	1.5
P0272.030-016-ZP	M 3	16	1.75	1.2	1.5
P0272.030-020-ZP	M 3	20	1.75	1.2	1.5
P0272.030-025-ZP	M 3	25	1.75	1.2	1.5
P0272.030-030-ZP	M 3	30	1.75	1.2	1.5
P0272.040-003-ZP	M 4	3	2.25	1.5	2.0
P0272.040-004-ZP	M 4	4	2.25	1.5	2.0
P0272.040-005-ZP	M 4	5	2.25	1.5	2.0



STANDARD SCREWS

Order No.	d ₁	l ₁	d ₂	l ₂ min.	A/F
P0272.040-006-ZP	M 4	6	2.25	1.5	2.0
P0272.040-008-ZP	M 4	8	2.25	1.5	2.0
P0272.040-010-ZP	M 4	10	2.25	1.5	2.0
P0272.040-012-ZP	M 4	12	2.25	1.5	2.0
P0272.040-014-ZP	M 4	14	2.25	1.5	2.0
P0272.040-016-ZP	M 4	16	2.25	1.5	2.0
P0272.040-020-ZP	M 4	20	2.25	1.5	2.0
P0272.040-025-ZP	M 4	25	2.25	1.5	2.0
P0272.040-030-ZP	M 4	30	2.25	1.5	2.0
P0272.040-035-ZP	M 4	35	2.25	1.5	2.0
P0272.040-040-ZP	M 4	40	2.25	1.5	2.0
P0272.050-005-ZP	M 5	5	3.20	2.0	2.5
P0272.050-006-ZP	M 5	6	3.20	2.0	2.5
P0272.050-008-ZP	M 5	8	3.20	2.0	2.5
P0272.050-010-ZP	M 5	10	3.20	2.0	2.5
P0272.050-012-ZP	M 5	12	3.20	2.0	2.5
P0272.050-014-ZP	M 5	14	3.20	2.0	2.5
P0272.050-016-ZP	M 5	16	3.20	2.0	2.5
P0272.050-020-ZP	M 5	20	3.20	2.0	2.5
P0272.050-025-ZP	M 5	25	3.20	2.0	2.5
P0272.050-030-ZP	M 5	30	3.20	2.0	2.5
P0272.050-035-ZP	M 5	35	3.20	2.0	2.5
P0272.050-040-ZP	M 5	40	3.20	2.0	2.5
P0272.050-050-ZP	M 5	50	3.20	2.0	2.5
P0272.060-004-ZP	M 6	4	3.70	2.0	3.0
P0272.060-005-ZP	M 6	5	3.70	2.0	3.0
P0272.060-006-ZP	M 6	6	3.70	2.0	3.0
P0272.060-008-ZP	M 6	8	3.70	2.0	3.0
P0272.060-010-ZP	M 6	10	3.70	2.0	3.0
P0272.060-012-ZP	M 6	12	3.70	2.0	3.0
P0272.060-014-ZP	M 6	14	3.70	2.0	3.0
P0272.060-016-ZP	M 6	16	3.70	2.0	3.0
P0272.060-020-ZP	M 6	20	3.70	2.0	3.0
P0272.060-025-ZP	M 6	25	3.70	2.0	3.0
P0272.060-030-ZP	M 6	30	3.70	2.0	3.0
P0272.060-035-ZP	M 6	35	3.70	2.0	3.0
P0272.060-040-ZP	M 6	40	3.70	2.0	3.0
P0272.060-045-ZP	M 6	45	3.70	2.0	3.0
P0272.060-050-ZP	M 6	50	3.70	2.0	3.0
P0272.060-055-ZP	M 6	55	3.70	2.0	3.0
P0272.060-060-ZP	M 6	60	3.70	2.0	3.0
P0272.060-070-ZP	M 6	70	3.70	2.0	3.0
P0272.080-006-ZP	M 8	6	5.20	3.0	4.0
P0272.080-008-ZP	M 8	8	5.20	3.0	4.0
P0272.080-010-ZP	M 8	10	5.20	3.0	4.0
P0272.080-012-ZP	M 8	12	5.20	3.0	4.0
P0272.080-014-ZP	M 8	14	5.20	3.0	4.0
P0272.080-016-ZP	M 8	16	5.20	3.0	4.0
P0272.080-020-ZP	M 8	20	5.20	3.0	4.0
P0272.080-025-ZP	M 8	25	5.20	3.0	4.0
P0272.080-030-ZP	M 8	30	5.20	3.0	4.0
P0272.080-035-ZP	M 8	35	5.20	3.0	4.0
P0272.080-040-ZP	M 8	40	5.20	3.0	4.0
P0272.080-050-ZP	M 8	50	5.20	3.0	4.0
P0272.080-060-ZP	M 8	60	5.20	3.0	4.0
P0272.080-070-ZP	M 8	70	5.20	3.0	4.0
P0272.080-080-ZP	M 8	80	5.20	3.0	4.0
P0272.100-008-ZP	M10	8	6.64	4.0	5.0
P0272.100-010-ZP	M10	10	6.64	4.0	5.0
P0272.100-012-ZP	M10	12	6.64	4.0	5.0
P0272.100-014-ZP	M10	14	6.64	4.0	5.0
P0272.100-016-ZP	M10	16	6.64	4.0	5.0
P0272.100-020-ZP	M10	20	6.64	4.0	5.0
P0272.100-025-ZP	M10	25	6.64	4.0	5.0
P0272.100-030-ZP	M10	30	6.64	4.0	5.0
P0272.100-035-ZP	M10	35	6.64	4.0	5.0
P0272.100-040-ZP	M10	40	6.64	4.0	5.0
P0272.100-045-ZP	M10	45	6.64	4.0	5.0



Socket Set Screws Flat Point

Flat Point - steel, zinc-plated

Standard Screws



Order No.	d ₁	l ₁	d ₂	l ₂ min.	A/F
P0272.100-050-ZP	M10	50	6.64	4.0	5.0
P0272.100-055-ZP	M10	55	6.64	4.0	5.0
P0272.100-060-ZP	M10	60	6.64	4.0	5.0
P0272.100-070-ZP	M10	70	6.64	4.0	5.0
P0272.100-080-ZP	M10	80	6.64	4.0	5.0
P0272.100-090-ZP	M10	90	6.64	4.0	5.0
P0272.100-100-ZP	M10	100	6.64	4.0	5.0
P0272.120-012-ZP	M12	12	8.14	4.8	6.0
P0272.120-014-ZP	M12	14	8.14	4.8	6.0
P0272.120-016-ZP	M12	16	8.14	4.8	6.0
P0272.120-020-ZP	M12	20	8.14	4.8	6.0
P0272.120-025-ZP	M12	25	8.14	4.8	6.0
P0272.120-030-ZP	M12	30	8.14	4.8	6.0
P0272.120-035-ZP	M12	35	8.14	4.8	6.0
P0272.120-040-ZP	M12	40	8.14	4.8	6.0
P0272.120-045-ZP	M12	45	8.14	4.8	6.0
P0272.120-050-ZP	M12	50	8.14	4.8	6.0
P0272.120-055-ZP	M12	55	8.14	4.8	6.0
P0272.120-060-ZP	M12	60	8.14	4.8	6.0
P0272.120-070-ZP	M12	70	8.14	4.8	6.0
P0272.120-080-ZP	M12	80	8.14	4.8	6.0
P0272.120-090-ZP	M12	90	8.14	4.8	6.0
P0272.120-100-ZP	M12	100	8.14	4.8	6.0
P0272.160-016-ZP	M16	16	11.57	6.4	8.0
P0272.160-020-ZP	M16	20	11.57	6.4	8.0
P0272.160-025-ZP	M16	25	11.57	6.4	8.0
P0272.160-030-ZP	M16	30	11.57	6.4	8.0
P0272.160-035-ZP	M16	35	11.57	6.4	8.0
P0272.160-040-ZP	M16	40	11.57	6.4	8.0
P0272.160-045-ZP	M16	45	11.57	6.4	8.0
P0272.160-050-ZP	M16	50	11.57	6.4	8.0
P0272.160-055-ZP	M16	55	11.57	6.4	8.0
P0272.160-060-ZP	M16	60	11.57	6.4	8.0
P0272.160-070-ZP	M16	70	11.57	6.4	8.0
P0272.160-080-ZP	M16	80	11.57	6.4	8.0
P0272.160-090-ZP	M16	90	11.57	6.4	8.0
P0272.160-100-ZP	M16	100	11.57	6.4	8.0
P0272.200-020-ZP	M20	20	14.57	8.0	10
P0272.200-025-ZP	M20	25	14.57	8.0	10
P0272.200-030-ZP	M20	30	14.57	8.0	10
P0272.200-035-ZP	M20	35	14.57	8.0	10
P0272.200-040-ZP	M20	40	14.57	8.0	10
P0272.200-045-ZP	M20	45	14.57	8.0	10
P0272.200-050-ZP	M20	50	14.57	8.0	10
P0272.200-055-ZP	M20	55	14.57	8.0	10
P0272.200-060-ZP	M20	60	14.57	8.0	10
P0272.200-070-ZP	M20	70	14.57	8.0	10
P0272.200-080-ZP	M20	80	14.57	8.0	10
P0272.200-090-ZP	M20	90	14.57	8.0	10
P0272.200-100-ZP	M20	100	14.57	8.0	10

STANDARD SCREWS