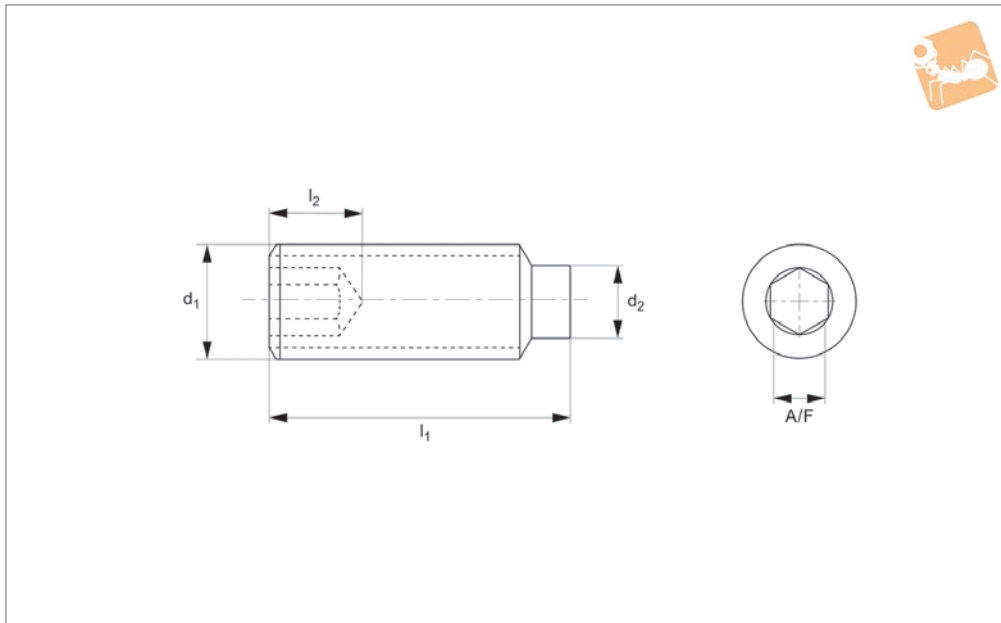
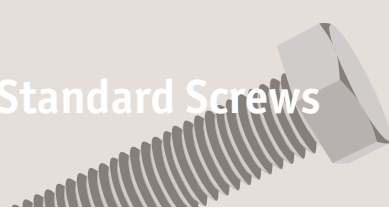




Socket Set Screws Dog Point

Dog Point - steel, zinc-plated

Standard Screws



P0274.ZP

STANDARD SCREWS

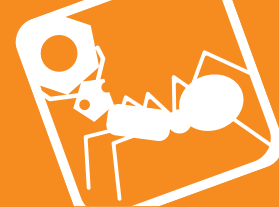
Material

Steel, zinc-plated (class 45H).

Technical Notes

To DIN 915, dog point.

| Order No. | d ₁ | l ₁ | d ₂ | l ₂ min. | A/F |
|------------------|----------------|----------------|----------------|------------------------|-----|
| P0274.020-003-ZP | M 2 | 3 | 0.75 | 0.8 | 0.9 |
| P0274.020-004-ZP | M 2 | 4 | 0.75 | 0.8 | 0.9 |
| P0274.020-005-ZP | M 2 | 5 | 0.75 | 0.8 | 0.9 |
| P0274.020-006-ZP | M 2 | 6 | 0.75 | 0.8 | 0.9 |
| P0274.020-008-ZP | M 2 | 8 | 0.75 | 0.8 | 0.9 |
| P0274.020-010-ZP | M 2 | 10 | 0.75 | 0.8 | 0.9 |
| P0274.020-012-ZP | M 2 | 12 | 0.75 | 0.8 | 0.9 |
| P0274.020-014-ZP | M 2 | 14 | 0.75 | 0.8 | 0.9 |
| P0274.020-016-ZP | M 2 | 16 | 0.75 | 0.8 | 0.9 |
| P0274.025-003-ZP | M2,5 | 3 | 1.25 | 1.2 | 1.3 |
| P0274.025-004-ZP | M2,5 | 4 | 1.25 | 1.2 | 1.3 |
| P0274.025-005-ZP | M2,5 | 5 | 1.25 | 1.2 | 1.3 |
| P0274.025-006-ZP | M 2,5 | 6 | 1.25 | 1.2 | 1.3 |
| P0274.025-008-ZP | M 2,5 | 8 | 1.25 | 1.2 | 1.3 |
| P0274.025-010-ZP | M2,5 | 10 | 1.25 | 1.2 | 1.3 |
| P0274.025-012-ZP | M2,5 | 12 | 1.25 | 1.2 | 1.3 |
| P0274.025-014-ZP | M2,5 | 12 | 1.25 | 1.2 | 1.3 |
| P0274.025-016-ZP | M2,5 | 16 | 1.25 | 1.2 | 1.3 |
| P0274.030-003-ZP | M 3 | 3 | 1.75 | 1.2 | 1.5 |
| P0274.030-004-ZP | M 3 | 4 | 1.75 | 1.2 | 1.5 |
| P0274.030-005-ZP | M 3 | 5 | 1.75 | 1.2 | 1.5 |
| P0274.030-006-ZP | M 3 | 6 | 1.75 | 1.2 | 1.5 |
| P0274.030-008-ZP | M 3 | 8 | 1.75 | 1.2 | 1.5 |
| P0274.030-010-ZP | M 3 | 10 | 1.75 | 1.2 | 1.5 |
| P0274.030-012-ZP | M 3 | 12 | 1.75 | 1.2 | 1.5 |
| P0274.030-014-ZP | M 3 | 14 | 1.75 | 1.2 | 1.5 |
| P0274.030-016-ZP | M 3 | 16 | 1.75 | 1.2 | 1.5 |
| P0274.030-020-ZP | M 3 | 20 | 1.75 | 1.2 | 1.5 |
| P0274.030-025-ZP | M 3 | 25 | 1.75 | 1.2 | 1.5 |
| P0274.030-030-ZP | M 3 | 30 | 1.75 | 1.2 | 1.5 |
| P0274.040-004-ZP | M 4 | 4 | 2.25 | 1.5 | 2.0 |
| P0274.040-005-ZP | M 4 | 5 | 2.25 | 1.5 | 2.0 |
| P0274.040-006-ZP | M 4 | 6 | 2.25 | 1.5 | 2.0 |
| P0274.040-008-ZP | M 4 | 8 | 2.25 | 1.5 | 2.0 |



STANDARD SCREWS

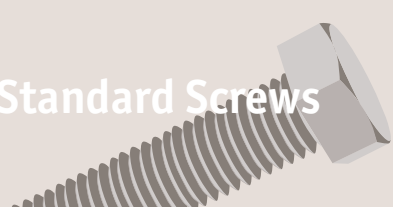
| Order No. | d ₁ | l ₁ | d ₂ | l ₂ min. | A/F |
|------------------|----------------|----------------|----------------|------------------------|-----|
| P0274.040-010-ZP | M 4 | 10 | 2.25 | 1.5 | 2.0 |
| P0274.040-012-ZP | M 4 | 12 | 2.25 | 1.5 | 2.0 |
| P0274.040-014-ZP | M 4 | 14 | 2.25 | 1.5 | 2.0 |
| P0274.040-016-ZP | M 4 | 16 | 2.25 | 1.5 | 2.0 |
| P0274.040-020-ZP | M 4 | 20 | 2.25 | 1.5 | 2.0 |
| P0274.040-025-ZP | M 4 | 25 | 2.25 | 1.5 | 2.0 |
| P0274.040-030-ZP | M 4 | 30 | 2.25 | 1.5 | 2.0 |
| P0274.040-035-ZP | M 4 | 35 | 2.25 | 1.5 | 2.0 |
| P0274.040-040-ZP | M 4 | 40 | 2.25 | 1.5 | 2.0 |
| P0274.050-005-ZP | M 5 | 5 | 3.20 | 2.0 | 2.5 |
| P0274.050-006-ZP | M 5 | 6 | 3.20 | 2.0 | 2.5 |
| P0274.050-008-ZP | M 5 | 8 | 3.20 | 2.0 | 2.5 |
| P0274.050-010-ZP | M 5 | 10 | 3.20 | 2.0 | 2.5 |
| P0274.050-012-ZP | M 5 | 12 | 3.20 | 2.0 | 2.5 |
| P0274.050-014-ZP | M 5 | 14 | 3.20 | 2.0 | 2.5 |
| P0274.050-016-ZP | M 5 | 16 | 3.20 | 2.0 | 2.5 |
| P0274.050-020-ZP | M 5 | 20 | 3.20 | 2.0 | 2.5 |
| P0274.050-025-ZP | M 5 | 25 | 3.20 | 2.0 | 2.5 |
| P0274.050-030-ZP | M 5 | 30 | 3.20 | 2.0 | 2.5 |
| P0274.060-006-ZP | M 6 | 6 | 3.70 | 2.0 | 3.0 |
| P0274.060-008-ZP | M 6 | 8 | 3.70 | 2.0 | 3.0 |
| P0274.060-010-ZP | M 6 | 10 | 3.70 | 2.0 | 3.0 |
| P0274.060-012-ZP | M 6 | 12 | 3.70 | 2.0 | 3.0 |
| P0274.060-014-ZP | M 6 | 14 | 3.70 | 2.0 | 3.0 |
| P0274.060-016-ZP | M 6 | 16 | 3.70 | 2.0 | 3.0 |
| P0274.060-018-ZP | M 6 | 18 | 3.70 | 2.0 | 3.0 |
| P0274.060-020-ZP | M 6 | 20 | 3.70 | 2.0 | 3.0 |
| P0274.060-025-ZP | M 6 | 25 | 3.70 | 2.0 | 3.0 |
| P0274.060-030-ZP | M 6 | 30 | 3.70 | 2.0 | 3.0 |
| P0274.060-035-ZP | M 6 | 35 | 3.70 | 2.0 | 3.0 |
| P0274.060-040-ZP | M 6 | 40 | 3.70 | 2.0 | 3.0 |
| P0274.060-045-ZP | M 6 | 45 | 3.70 | 2.0 | 3.0 |
| P0274.060-050-ZP | M 6 | 50 | 3.70 | 2.0 | 3.0 |
| P0274.060-055-ZP | M 6 | 55 | 3.70 | 2.0 | 3.0 |
| P0274.060-060-ZP | M 6 | 60 | 3.70 | 2.0 | 3.0 |
| P0274.080-008-ZP | M 8 | 8 | 5.20 | 3.0 | 4.0 |
| P0274.080-010-ZP | M 8 | 10 | 5.20 | 3.0 | 4.0 |
| P0274.080-012-ZP | M 8 | 12 | 5.20 | 3.0 | 4.0 |
| P0274.080-014-ZP | M 8 | 14 | 5.20 | 3.0 | 4.0 |
| P0274.080-016-ZP | M 8 | 16 | 5.20 | 3.0 | 4.0 |
| P0274.080-018-ZP | M 8 | 18 | 5.20 | 3.0 | 4.0 |
| P0274.080-020-ZP | M 8 | 20 | 5.20 | 3.0 | 4.0 |
| P0274.080-025-ZP | M 8 | 25 | 5.20 | 3.0 | 4.0 |
| P0274.080-030-ZP | M 8 | 30 | 5.20 | 3.0 | 4.0 |
| P0274.080-035-ZP | M 8 | 35 | 5.20 | 3.0 | 4.0 |
| P0274.080-040-ZP | M 8 | 40 | 5.20 | 3.0 | 4.0 |
| P0274.080-050-ZP | M 8 | 50 | 5.20 | 3.0 | 4.0 |
| P0274.080-060-ZP | M 8 | 60 | 5.20 | 3.0 | 4.0 |
| P0274.100-010-ZP | M10 | 10 | 6.64 | 4.0 | 5.0 |
| P0274.100-012-ZP | M10 | 12 | 6.64 | 4.0 | 5.0 |
| P0274.100-016-ZP | M10 | 16 | 6.64 | 4.0 | 5.0 |
| P0274.100-020-ZP | M10 | 20 | 6.64 | 4.0 | 5.0 |
| P0274.100-025-ZP | M10 | 25 | 6.64 | 4.0 | 5.0 |
| P0274.100-030-ZP | M10 | 30 | 6.64 | 4.0 | 5.0 |
| P0274.100-035-ZP | M10 | 35 | 6.64 | 4.0 | 5.0 |
| P0274.100-040-ZP | M10 | 40 | 6.64 | 4.0 | 5.0 |
| P0274.100-045-ZP | M10 | 45 | 6.64 | 4.0 | 5.0 |
| P0274.100-050-ZP | M10 | 50 | 6.64 | 4.0 | 5.0 |
| P0274.100-055-ZP | M10 | 55 | 6.64 | 4.0 | 5.0 |
| P0274.100-060-ZP | M10 | 60 | 6.64 | 4.0 | 5.0 |
| P0274.120-012-ZP | M12 | 12 | 8.14 | 4.8 | 6.0 |
| P0274.120-016-ZP | M12 | 16 | 8.14 | 4.8 | 6.0 |
| P0274.120-020-ZP | M12 | 20 | 8.14 | 4.8 | 6.0 |
| P0274.120-025-ZP | M12 | 25 | 8.14 | 4.8 | 6.0 |
| P0274.120-030-ZP | M12 | 30 | 8.14 | 4.8 | 6.0 |
| P0274.120-035-ZP | M12 | 35 | 8.14 | 4.8 | 6.0 |
| P0274.120-040-ZP | M12 | 40 | 8.14 | 4.8 | 6.0 |
| P0274.120-045-ZP | M12 | 45 | 8.14 | 4.8 | 6.0 |



Socket Set Screws Dog Point

Dog Point - steel, zinc-plated

Standard Screws



| Order No. | d ₁ | l ₁ | d ₂ | l ₂ min. | A/F |
|------------------|----------------|----------------|----------------|------------------------|-----|
| P0274.120-050-ZP | M12 | 50 | 8.14 | 4.8 | 6.0 |
| P0274.120-055-ZP | M12 | 55 | 8.14 | 4.8 | 6.0 |
| P0274.120-060-ZP | M12 | 60 | 8.14 | 4.8 | 6.0 |
| P0274.120-070-ZP | M12 | 70 | 8.14 | 4.8 | 6.0 |
| P0274.160-016-ZP | M16 | 16 | 11.57 | 6.4 | 8.0 |
| P0274.160-020-ZP | M16 | 20 | 11.57 | 6.4 | 8.0 |
| P0274.160-025-ZP | M16 | 25 | 11.57 | 6.4 | 8.0 |
| P0274.160-030-ZP | M16 | 30 | 11.57 | 6.4 | 8.0 |
| P0274.160-035-ZP | M16 | 35 | 11.57 | 6.4 | 8.0 |
| P0274.160-040-ZP | M16 | 40 | 11.57 | 6.4 | 8.0 |
| P0274.160-045-ZP | M16 | 45 | 11.57 | 6.4 | 8.0 |
| P0274.160-050-ZP | M16 | 50 | 11.57 | 6.4 | 8.0 |
| P0274.160-060-ZP | M16 | 60 | 11.57 | 6.4 | 8.0 |
| P0274.160-070-ZP | M16 | 70 | 11.57 | 6.4 | 8.0 |
| P0274.160-100-ZP | M16 | 100 | 11.57 | 6.4 | 8.0 |
| P0274.200-020-ZP | M20 | 20 | 14.57 | 8.0 | 10 |
| P0274.200-025-ZP | M20 | 25 | 14.57 | 8.0 | 10 |
| P0274.200-030-ZP | M20 | 30 | 14.57 | 8.0 | 10 |
| P0274.200-035-ZP | M20 | 35 | 14.57 | 8.0 | 10 |
| P0274.200-040-ZP | M20 | 40 | 14.57 | 8.0 | 10 |
| P0274.200-045-ZP | M20 | 45 | 14.57 | 8.0 | 10 |
| P0274.200-050-ZP | M20 | 50 | 14.57 | 8.0 | 10 |
| P0274.200-060-ZP | M20 | 60 | 14.57 | 8.0 | 10 |
| P0274.200-070-ZP | M20 | 70 | 14.57 | 8.0 | 10 |
| P0274.200-090-ZP | M20 | 90 | 14.57 | 8.0 | 10 |
| P0274.200-100-ZP | M20 | 100 | 14.57 | 8.0 | 10 |

STANDARD SCREWS