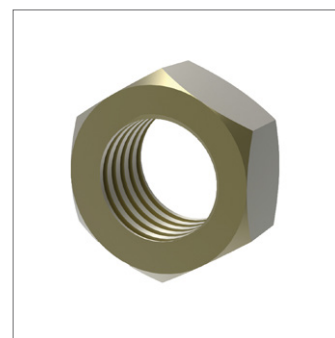
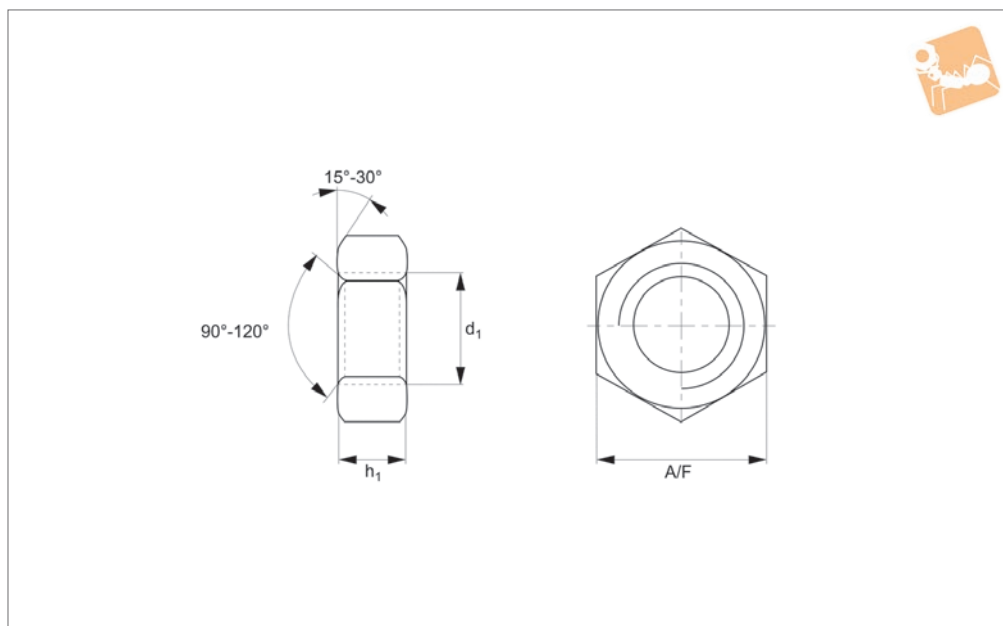
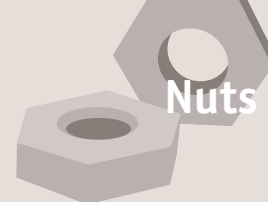


# Full Nuts Fine Thread

Brass



**P0302.BR**

NUTS

## Material

Brass.

## Technical Notes

DIN 934. Fine pitch threads.

For coarse thread full nuts see P0301.

Order No.	d <sub>1</sub>	h <sub>1</sub> min.	A/F	Material
P0302.080-100-BR	M8x1	6.14	13	Brass
P0302.100-100-BR	M10x1	7.64	17	Brass
P0302.120-150-BR	M12x1,5	9.64	19	Brass
P0302.140-150-BR	M14x1,5	10.3	22	Brass
P0302.160-150-BR	M16x1,5	12.3	24	Brass
P0302.180-150-BR	M18x1,5	14.3	27	Brass
P0302.200-150-BR	M20x1,5	14.9	30	Brass
P0302.220-150-BR	M22x1,5	16.9	32	Brass
P0302.240-150-BR	M24x1,5	17.7	36	Brass
P0302.270-150-BR	M27x1,5	20.7	41	Brass
P0302.300-150-BR	M30x1,5	22.7	46	Brass
P0302.300-200-BR	M30x2,0	22.7	46	Brass