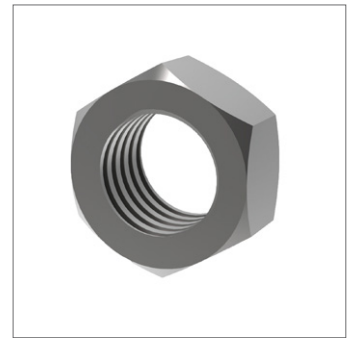
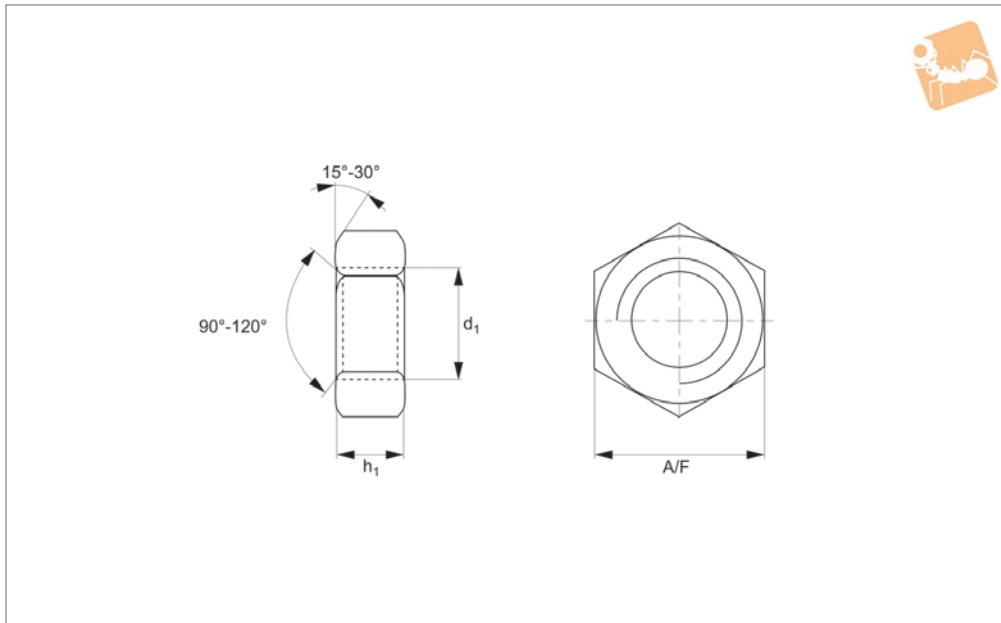




Full Nuts Left Hand Thread

Steel, self-colour



P0303.SC

NUTS

Material

Steel (class 8), self-colour.

Technical Notes

To DIN 934. These are the left hand thread versions.

Order No.	d ₁	h ₁ min.	A/F	Material
P0303.060-SC	M 6	4.7	10	Steel SC
P0303.080-SC	M 8	6.14	13	Steel SC
P0303.100-SC	M10	7.64	17	Steel SC
P0303.120-SC	M12	9.64	19	Steel SC
P0303.160-SC	M16	12.3	24	Steel SC
P0303.200-SC	M20	14.9	30	Steel SC
P0303.240-SC	M24	17.7	36	Steel SC