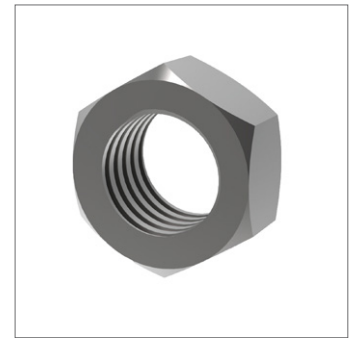
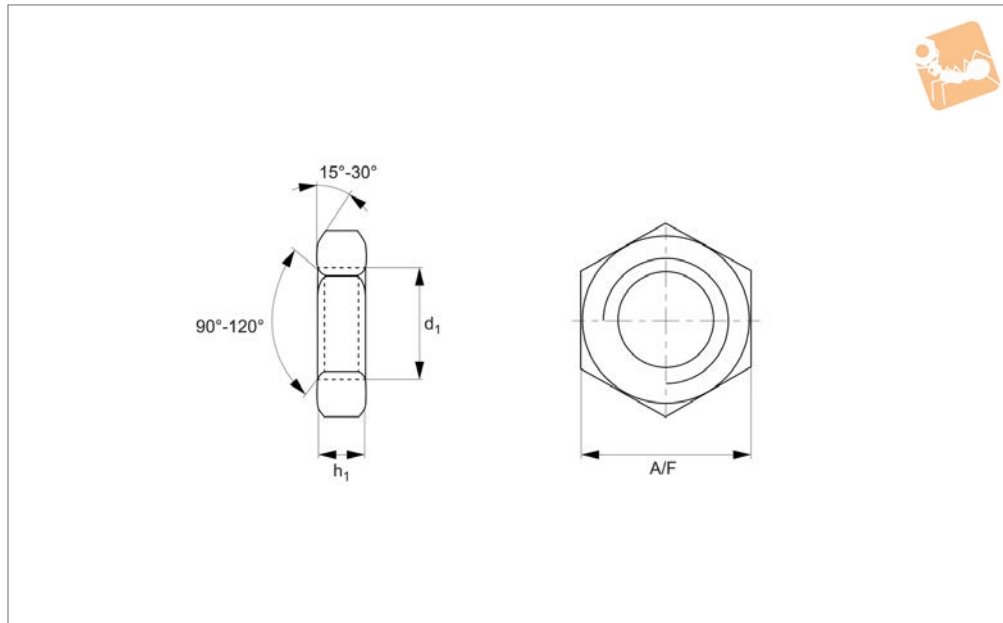




Lock Nuts Coarse Thread

Steel, self-colour



P0305.SC

NUTS

Material

Steel (class 4), self-colour.

threads.

For fine thread lock nuts see P0306.

Technical Notes

To DIN 439. Standard metric coarse pitch

Order No.	d ₁	h ₁	A/F	Material
P0305.020-SC	M 2	0.95	4	Steel SC
P0305.025-SC	M2,6	1.35	5	Steel SC
P0305.030-SC	M 3	1.55	5.5	Steel SC
P0305.040-SC	M 4	1.95	7	Steel SC
P0305.050-SC	M 5	2.45	8	Steel SC
P0305.060-SC	M 6	2.9	10	Steel SC
P0305.080-SC	M 8	3.7	13	Steel SC
P0305.100-SC	M10	4.7	17	Steel SC
P0305.120-SC	M12	5.7	19	Steel SC
P0305.140-SC	M14	6.42	22	Steel SC
P0305.160-SC	M16	7.42	24	Steel SC
P0305.180-SC	M18	8.42	27	Steel SC
P0305.200-SC	M20	9.1	30	Steel SC
P0305.220-SC	M22	9.9	34	Steel SC
P0305.240-SC	M24	10.9	36	Steel SC
P0305.270-SC	M27	12.4	41	Steel SC
P0305.300-SC	M30	13.9	46	Steel SC
P0305.330-SC	M33	15.4	50	Steel SC
P0305.360-SC	M36	16.9	55	Steel SC
P0305.390-SC	M39	19.5	60	Steel SC
P0305.420-SC	M42	21	65	Steel SC
P0305.450-SC	M45	22.5	70	Steel SC
P0305.480-SC	M48	24	75	Steel SC
P0305.520-SC	M52	26	80	Steel SC
P0305.560-SC	M56	28	85	Steel SC
P0305.600-SC	M60	30	90	Steel SC