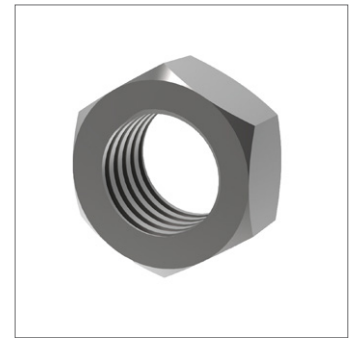
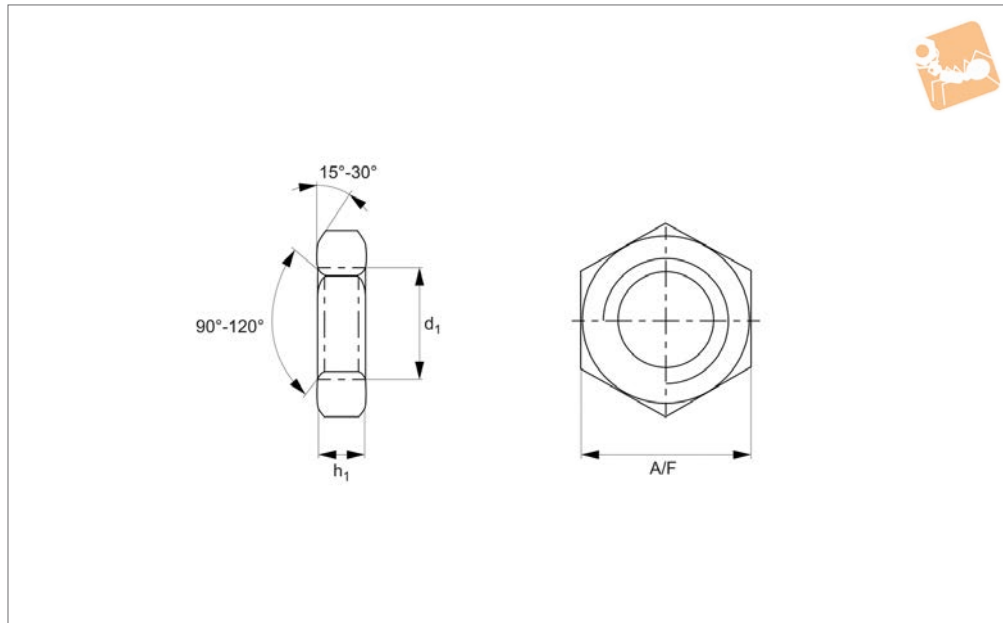




Lock Nuts Fine Thread

Steel, self-colour



P0306.SC

NUTS

Material

Steel (class 4), self-colour.

Technical Notes

To DIN 439. Fine pitch threads.
For coarse thread lock nuts see P0305.

Order No.	d ₁	h ₁	A/F	Material
P0306.080-100-SC	M 8x1,0	3.7	13	Steel SC
P0306.100-100-SC	M10x1,0	4.7	17	Steel SC
P0306.100-125-SC	M10x1,25	4.7	17	Steel SC
P0306.120-125-SC	M12x1,25	5.7	19	Steel SC
P0306.120-150-SC	M12x1,5	5.7	19	Steel SC
P0306.140-150-SC	M14x1,5	6.42	22	Steel SC
P0306.160-150-SC	M16x1,5	7.42	24	Steel SC
P0306.180-150-SC	M18x1,5	8.42	27	Steel SC
P0306.200-150-SC	M20x1,5	9.1	30	Steel SC
P0306.220-150-SC	M22x1,5	9.9	34	Steel SC
P0306.240-150-SC	M24x1,5	10.9	36	Steel SC
P0306.240-200-SC	M24x2,0	10.9	36	Steel SC
P0306.270-150-SC	M27x1,5	12.4	41	Steel SC
P0306.270-200-SC	M27x2,0	12.4	41	Steel SC
P0306.300-150-SC	M30x1,5	13.9	46	Steel SC
P0306.300-200-SC	M30x2,0	13.9	46	Steel SC
P0306.330-200-SC	M33x2,0	15.4	49	Steel SC
P0306.360-150-SC	M36x1,5	16.9	55	Steel SC
P0306.360-300-SC	M36x1,5	16.9	55	Steel SC
P0306.390-150-SC	M39x1,5	19.5	60	Steel SC
P0306.420-150-SC	M42x1,5	21	65	Steel SC
P0306.450-300-SC	M45x3,0	22.5	70	Steel SC
P0306.480-150-SC	M48x1,5	24	75	Steel SC
P0306.520-150-SC	M52x1,5	26	80	Steel SC
P0306.560-200-SC	M56x2,0	28	85	Steel SC