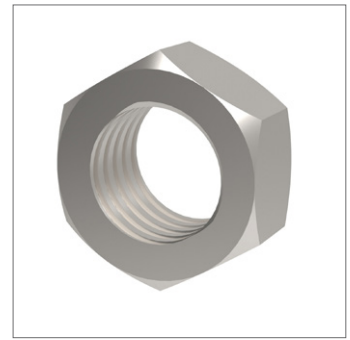
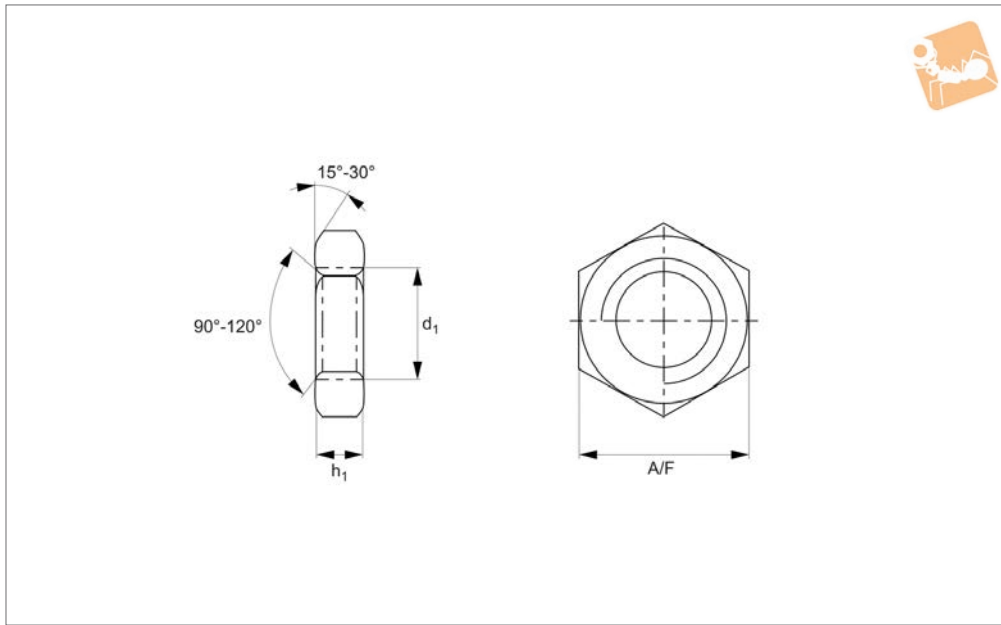




Lock Nuts Left Hand Thread

303 series stainless



P0307.A2

NUTS

Material

Stainless steel (AISI 303, 1.4305).

Standard threads are coarse pitch.

Fine threads are indicated by an A & B suffix.

Technical Notes

To DIN 439. Left hand threads.

Order No.	d ₁	h ₁ min.	A/F	Material
P0307.060-A2	M 6	2.9	10	A2 s/s
P0307.080-A2	M 8	3.7	13	A2 s/s
P0307.100-A2	M10	4.7	17	A2 s/s
P0307.100-100-A2	M10x1,0	4.7	17	A2 s/s
P0307.100-125-A2	M10x1,25	4.7	17	A2 s/s
P0307.120-A2	M12	5.7	19	A2 s/s
P0307.120-100-A2	M12x1,0	5.7	19	A2 s/s
P0307.120-125-A2	M12x1,25	5.7	19	A2 s/s
P0307.120-150-A2	M12x1,5	5.7	19	A2 s/s
P0307.140-A2	M14	7	22	A2 s/s
P0307.160-A2	M16	7.42	24	A2 s/s
P0307.160-150-A2	M16x1,5	7.42	24	A2 s/s
P0307.180-A2	M18	9	27	A2 s/s
P0307.180-150-A2	M18x1,5	9	27	A2 s/s
P0307.200-A2	M20	9.1	30	A2 s/s
P0307.200-150-A2	M20x1,5	9.1	30	A2 s/s
P0307.220-A2	M22	9.1	32	A2 s/s
P0307.220-150-A2	M22x1,5	9.1	32	A2 s/s
P0307.240-A2	M24	10.9	36	A2 s/s
P0307.240-150-A2	M24x1,5	10.9	36	A2 s/s
P0307.240-200-A2	M24x2,0	10.9	36	A2 s/s
P0307.270-A2	M27	13.5	41	A2 s/s
P0307.270-150-A2	M27x1,5	13.5	41	A2 s/s
P0307.300-A2	M30	13.9	46	A2 s/s
P0307.300-150-A2	M30x1,5	13.9	46	A2 s/s
P0307.360-A2	M36	16.9	55	A2 s/s