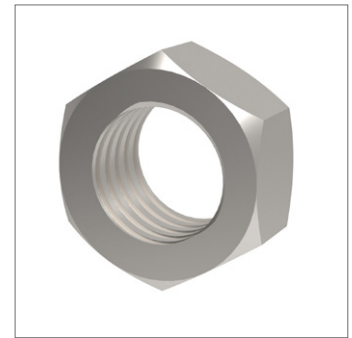
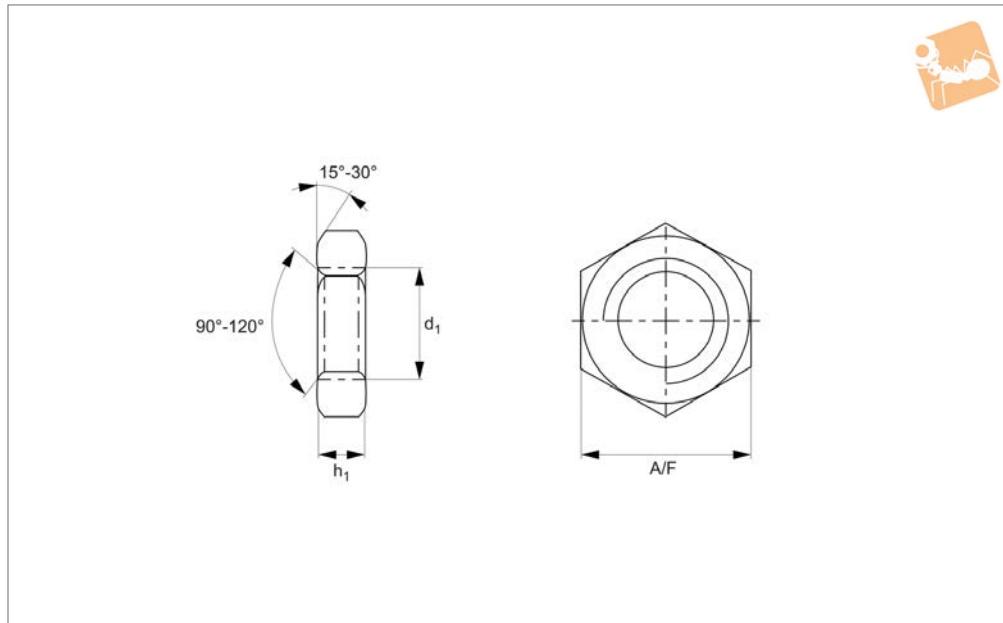




Lock Nuts Left Hand Thread

A4 stainless



P0307.A4

NUTS

Material

Stainless steel (A4).

Standard threads are coarse pitch.

Fine threads are indicated by an A & B suffix.

Technical Notes

To DIN 439. Left hand threads.

Order No.	d ₁	h ₁	A/F	Material
P0307.060-A4	M 6	2.9	10	A4 s/s
P0307.080-A4	M 8	3.7	13	A4 s/s
P0307.100-A4	M10	4.7	17	A4 s/s
P0307.120-A4	M12	5.7	19	A4 s/s
P0307.160-A4	M16	7.42	24	A4 s/s
P0307.200-A4	M20	9.1	30	A4 s/s
P0307.240-A4	M24	10.9	36	A4 s/s
P0307.300-A4	M30	13.9	46	A4 s/s
P0307.360-A4	M36	16.9	55	A4 s/s