

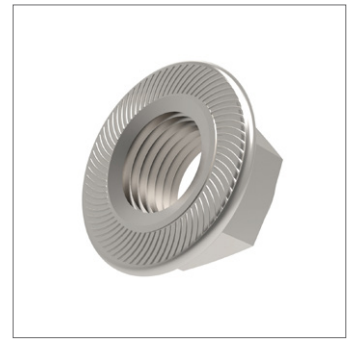
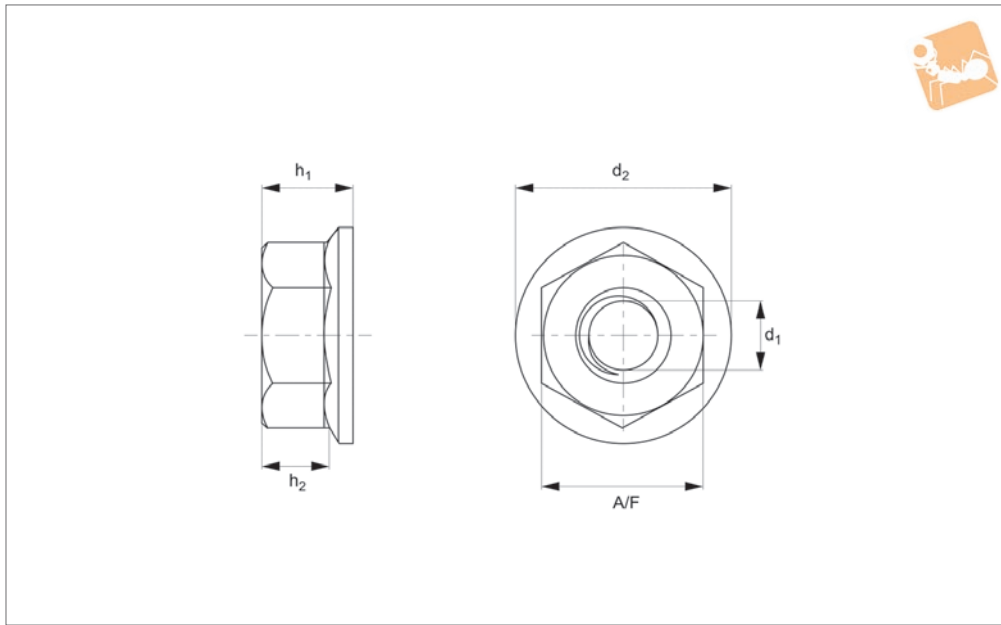


Serrated Flanged Nuts

Serrated - zinc-plated



Nuts



P0309.ZP

NUTS

Material

Steel (class 8), zinc-plated.

Technical Notes

To DIN 6923, serrated.

Order No.	d_1	d_2 max.	h_1 max.	h_2 min.	A/F	Material
P0309.040-ZP	M 4	10	4.65	1.9	7	Steel ZP
P0309.050-ZP	M 5	11.8	5.0	2.2	8	Steel ZP
P0309.060-ZP	M 6	14.2	6.0	3.1	10	Steel ZP
P0309.080-ZP	M 8	17.9	8.0	4.5	13	Steel ZP
P0309.100-ZP	M10	21.8	10.0	5.5	15	Steel ZP
P0309.120-ZP	M12	26.0	12.0	6.7	18	Steel ZP
P0309.160-ZP	M16	34.5	16.0	-	24	Steel ZP
P0309.200-ZP	M20	42.8	20.0	-	30	Steel ZP