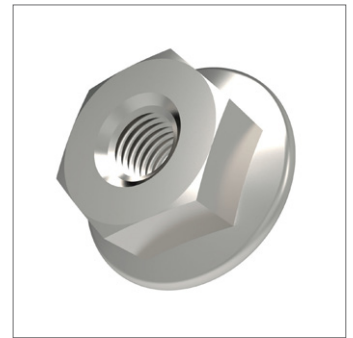
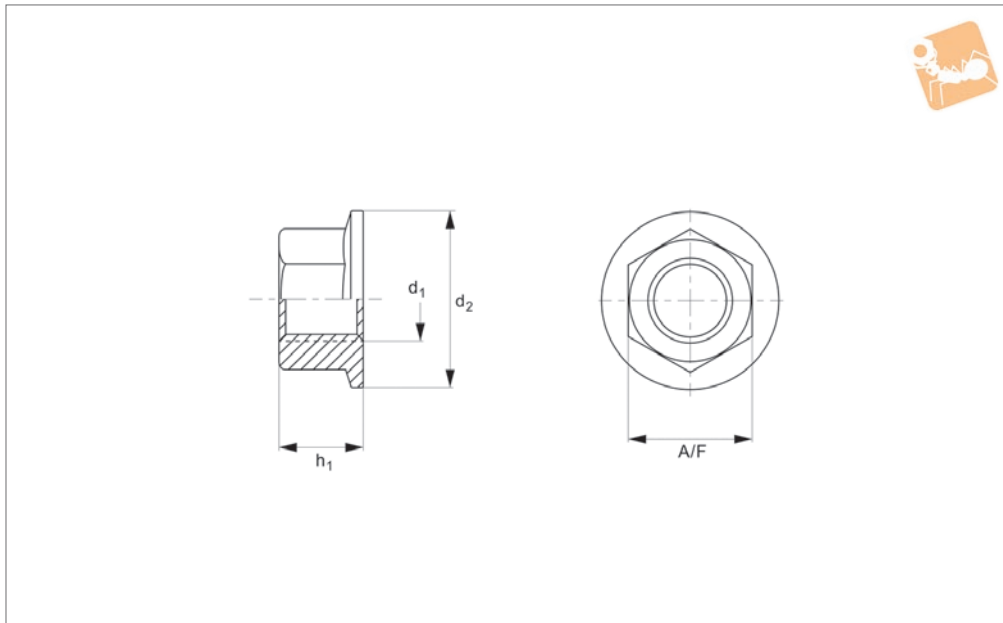




Flanged Nuts

Steel, zinc-plated



P0311.ZP

NUTS

Material

Steel (class 8), zinc-plated.

Technical Notes

To DIN 6923.

Order No.	d ₁	d ₂ max.	h ₁ max.	A/F	Material
P0311.040-ZP	M 4	10.0	4.5	7	Steel ZP
P0311.050-ZP	M 5	11.8	5.0	8	Steel ZP
P0311.060-ZP	M 6	14.2	6.0	10	Steel ZP
P0311.080-ZP	M 8	17.9	8.0	13	Steel ZP
P0311.100-ZP	M10	21.8	10.0	15	Steel ZP
P0311.120-ZP	M12	26.0	12.0	18	Steel ZP
P0311.160-ZP	M16	34.5	16.0	24	Steel ZP
P0311.200-ZP	M20	43.0	20.0	30	Steel ZP
P0311.240-ZP	M24	51.0	24.0	36	Steel ZP