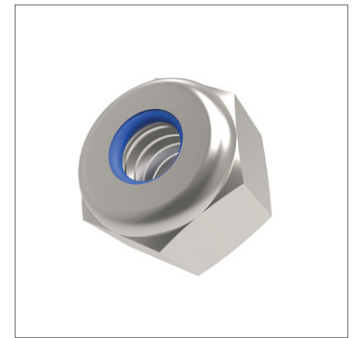
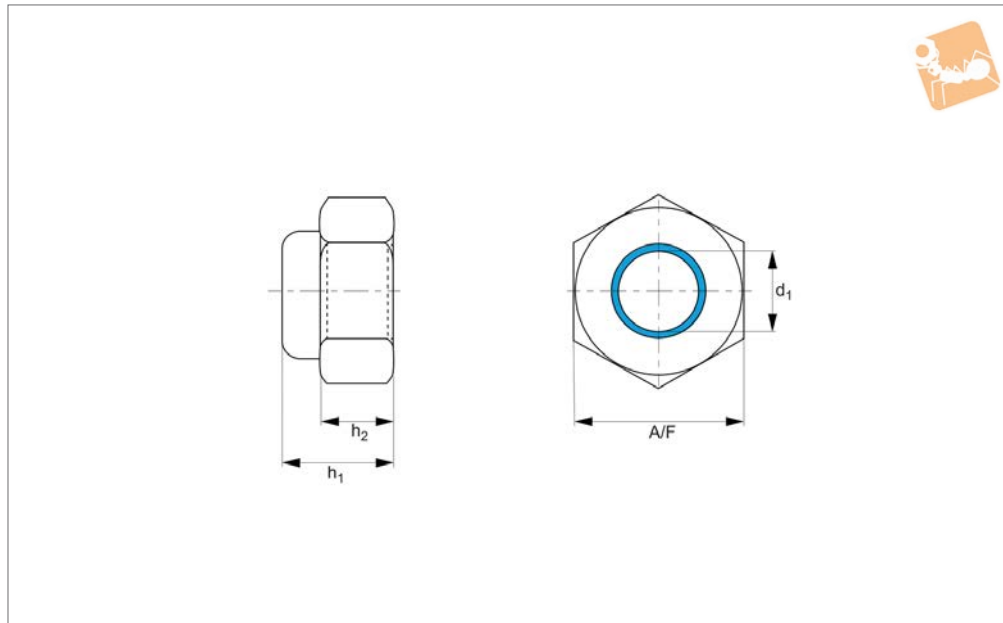




Nylon Insert Nuts

Type T - steel, zinc-plated



P0314.ZP

NUTS

Material

Steel (class>5), zinc-plated.

Technical Notes

To DIN 985.

| Order No. | d ₁ | h ₁ | h ₂ | A/F | Material |
|------------------|----------------|----------------|----------------|-----|----------|
| P0314.025-ZP | M 2,5 | 3.8 | 2.0 | 5 | Steel ZP |
| P0314.030-ZP | M 3 | 4.0 | 2.4 | 5.5 | Steel ZP |
| P0314.040-ZP | M 4 | 5.0 | 3.2 | 7 | Steel ZP |
| P0314.050-ZP | M 5 | 5.0 | 4.0 | 8 | Steel ZP |
| P0314.060-ZP | M 6 | 6.0 | 5.0 | 10 | Steel ZP |
| P0314.080-ZP | M 8 | 8.0 | 6.5 | 13 | Steel ZP |
| P0314.080-100-ZP | M 8x1,0 | 8.0 | 6.5 | 13 | Steel ZP |
| P0314.100-ZP | M10 | 10 | 8.0 | 17 | Steel ZP |
| P0314.100-100-ZP | M10x1,0 | 10 | 8.0 | 17 | Steel ZP |
| P0314.100-125-ZP | M10x1,25 | 10 | 8.0 | 17 | Steel ZP |
| P0314.120-ZP | M12 | 12 | 10 | 19 | Steel ZP |
| P0314.120-125-ZP | M12x1,25 | 12 | 10 | 19 | Steel ZP |
| P0314.120-150-ZP | M12x1,5 | 12 | 10 | 19 | Steel ZP |
| P0314.140-ZP | M14 | 14 | 11 | 22 | Steel ZP |
| P0314.140-150-ZP | M14x1,5 | 14 | 11 | 22 | Steel ZP |
| P0314.160-ZP | M16 | 16 | 13 | 24 | Steel ZP |
| P0314.160-150-ZP | M16x1,5 | 16 | 13 | 24 | Steel ZP |
| P0314.180-ZP | M18 | 18.5 | 15 | 27 | Steel ZP |
| P0314.180-150-ZP | M18x1,5 | 18.5 | 15 | 27 | Steel ZP |
| P0314.200-ZP | M20 | 20 | 16 | 30 | Steel ZP |
| P0314.200-150-ZP | M20x1,5 | 20 | 16 | 30 | Steel ZP |
| P0314.200-200-ZP | M20x2,0 | 20 | 16 | 30 | Steel ZP |
| P0314.220-ZP | M22 | 22 | 18 | 32 | Steel ZP |
| P0314.220-150-ZP | M22x1,5 | 22 | 18 | 32 | Steel ZP |
| P0314.240-ZP | M24 | 24 | 19 | 36 | Steel ZP |
| P0314.240-150-ZP | M24x1,5 | 24 | 19 | 36 | Steel ZP |
| P0314.240-200-ZP | M24x2,0 | 24 | 19 | 36 | Steel ZP |
| P0314.270-ZP | M27 | 27 | 22 | 41 | Steel ZP |
| P0314.270-150-ZP | M27x1,5 | 27 | 22 | 41 | Steel ZP |
| P0314.270-200-ZP | M27x2,0 | 27 | 22 | 41 | Steel ZP |
| P0314.300-ZP | M30 | 30 | 24 | 46 | Steel ZP |
| P0314.300-150-ZP | M30x1,5 | 30 | 24 | 46 | Steel ZP |
| P0314.300-200-ZP | M30x2,0 | 30 | 24 | 46 | Steel ZP |
| P0314.330-ZP | M33 | 33 | 26 | 50 | Steel ZP |
| P0314.330-150-ZP | M33x1,5 | 33 | 26 | 50 | Steel ZP |

Nuts



Nylon Insert Nuts

Type T - steel, zinc-plated



| Order No. | d ₁ | h ₁ | h ₂ | A/F | Material |
|------------------|----------------|----------------|----------------|-----|----------|
| P0314.330-200-ZP | M33x2,0 | 33 | 26 | 50 | Steel ZP |
| P0314.360-ZP | M36 | 36 | 29 | 55 | Steel ZP |
| P0314.360-150-ZP | M36x1,5 | 36 | 29 | 55 | Steel ZP |
| P0314.360-300-ZP | M36x3,0 | 36 | 29 | 55 | Steel ZP |
| P0314.420-ZP | M42 | 42 | 34 | 65 | Steel ZP |
| P0314.420-300-ZP | M42x3,0 | 42 | 34 | 65 | Steel ZP |
| P0314.480-ZP | M48 | 48 | 38 | 75 | Steel ZP |

NUTS