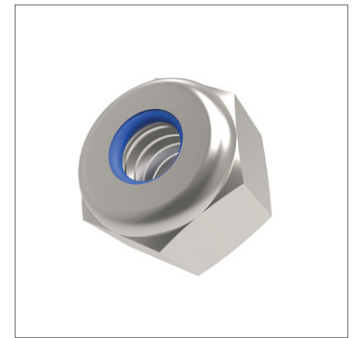
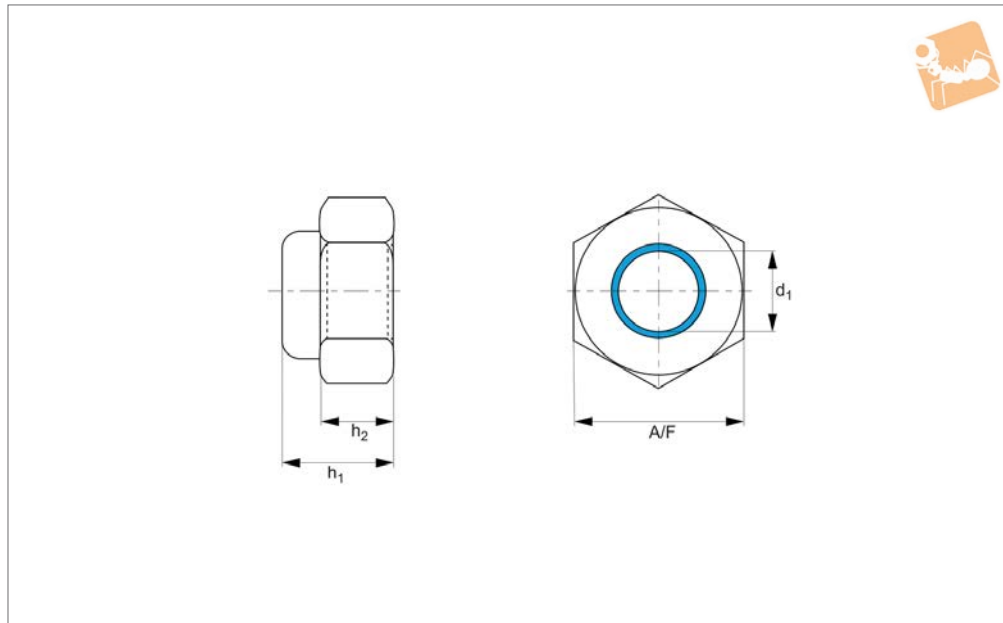




Nylon Insert Nuts - High Type

High type - A2 stainless



P0315.A2

NUTS

Material

Stainless steel (A2).

Technical Notes

To DIN 982.

| Order No. | d ₁ | h ₁ | h ₂ | A/F | Material |
|--------------|----------------|----------------|----------------|-----|----------|
| P0315.040-A2 | M 4 | 6.0 | 3.6 | 7 | A2 s/s |
| P0315.050-A2 | M 5 | 6.3 | 4.4 | 8 | A2 s/s |
| P0315.060-A2 | M 6 | 8.0 | 4.9 | 10 | A2 s/s |
| P0315.080-A2 | M 8 | 9.5 | 6.4 | 13 | A2 s/s |
| P0315.100-A2 | M10 | 11.5 | 8.0 | 17 | A2 s/s |
| P0315.120-A2 | M12 | 19 | 14 | 19 | A2 s/s |
| P0315.140-A2 | M14 | 16 | 12 | 22 | A2 s/s |
| P0315.160-A2 | M16 | 18 | 14 | 24 | A2 s/s |
| P0315.200-A2 | M20 | 22 | 17 | 30 | A2 s/s |
| P0315.240-A2 | M24 | 28 | 20 | 36 | A2 s/s |