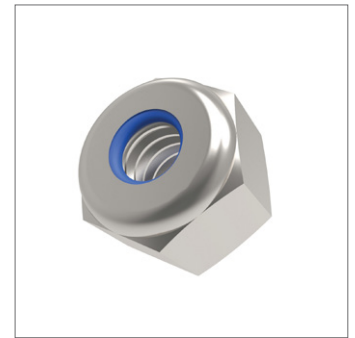
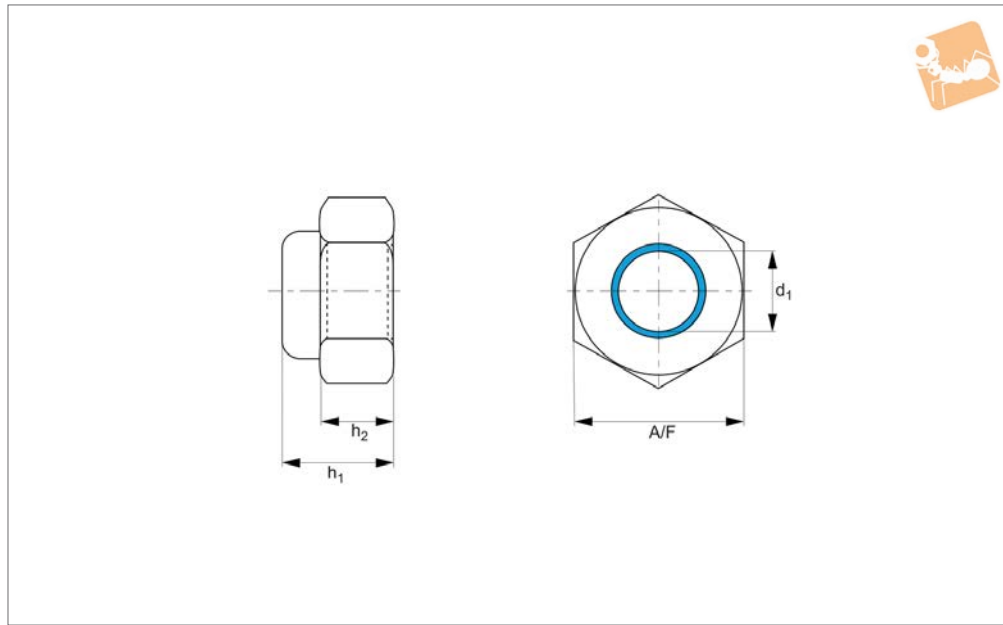




# Nylon Insert Nuts - High Type

High Type - A4 stainless



**P0315.A4**

NUTS

**Material**

Stainless steel (A4).

**Technical Notes**

To DIN 982.

Order No.	d <sub>1</sub>	h <sub>1</sub>	h <sub>2</sub>	A/F	Material
P0315.050-A4	M 5	6.3	4.4	8	A4 s/s
P0315.040-A4	M 4	6.0	3.6	7	A4 s/s
P0315.060-A4	M 6	8.0	4.9	10	A4 s/s
P0315.080-A4	M 8	9.5	6.4	13	A4 s/s
P0315.100-A4	M10	11.5	8.0	17	A4 s/s
P0315.120-A4	M12	19	14	19	A4 s/s
P0315.140-A4	M14	16	12	22	A4 s/s
P0315.160-A4	M16	18	14	24	A4 s/s
P0315.200-A4	M20	22	17	30	A4 s/s
P0315.240-A4	M24	28	20	36	A4 s/s