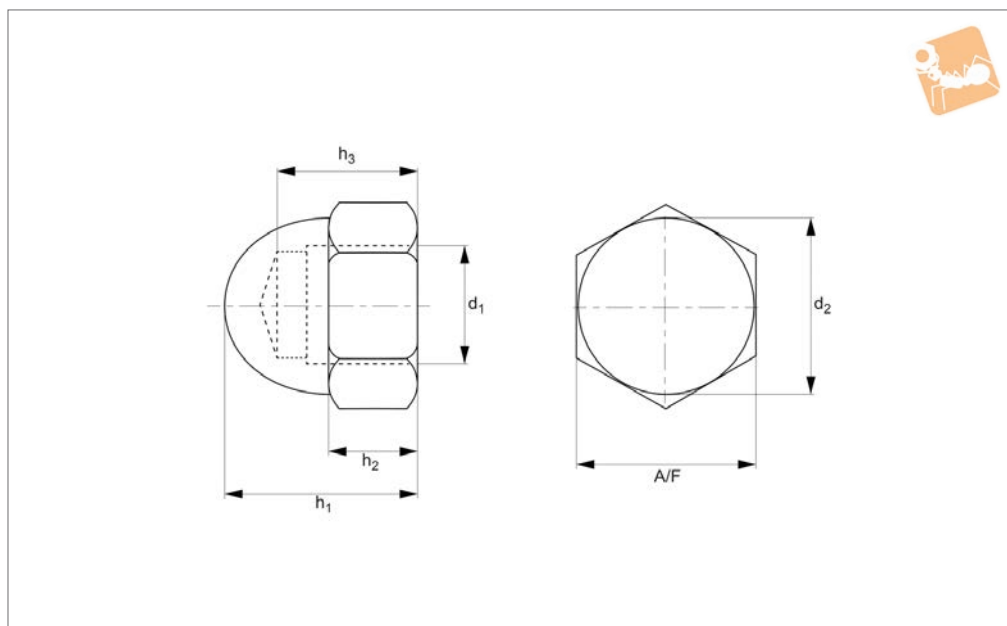
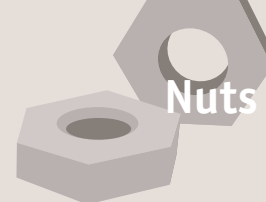


Hexagon Domed Nuts

A4 Stainless



P0318.A4

NUTS

Material
Stainless steel (A4).

Technical Notes
To DIN 1587.

Order No.	d ₁	h ₁ max.	h ₂ max.	h ₃	d ₂	A/F	Material
P0318.030-A4	M 3	6	2.4	4.5	5.5	5.5	A4 s/s
P0318.040-A4	M 4	8	3.2	5.5	6.5	7.0	A4 s/s
P0318.050-A4	M 5	10	4.0	7.5	7.5	8.0	A4 s/s
P0318.060-A4	M 6	12	5.0	8.0	9.5	10.0	A4 s/s
P0318.080-A4	M 8	15	6.5	11.0	12.5	13.0	A4 s/s
P0318.100-A4	M10	18	8.0	13.0	16.0	17.0	A4 s/s
P0318.120-A4	M12	22	10	16.0	18.0	19.0	A4 s/s
P0318.140-A4	M14	25	11	18.0	21.0	22.0	A4 s/s
P0318.160-A4	M16	28	13	21.0	23.0	24.0	A4 s/s
P0318.180-A4	M18	32	15	25.0	26.0	27.0	A4 s/s
P0318.200-A4	M20	34	16	26.0	28.0	30.0	A4 s/s
P0318.220-A4	M22	39	18	29.0	33.0	34.0	A4 s/s
P0318.240-A4	M24	42	19	31.0	36.0	36.0	A4 s/s
P0318.270-A4	M27	47	22	35.0	40.0	41.0	A4 s/s
P0318.300-A4	M30	52	24	38.0	42.0	46.0	A4 s/s