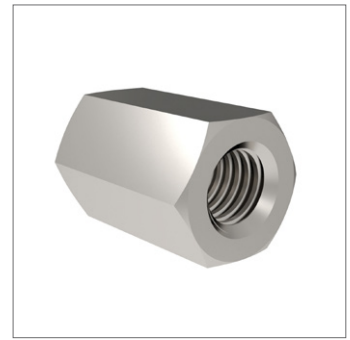
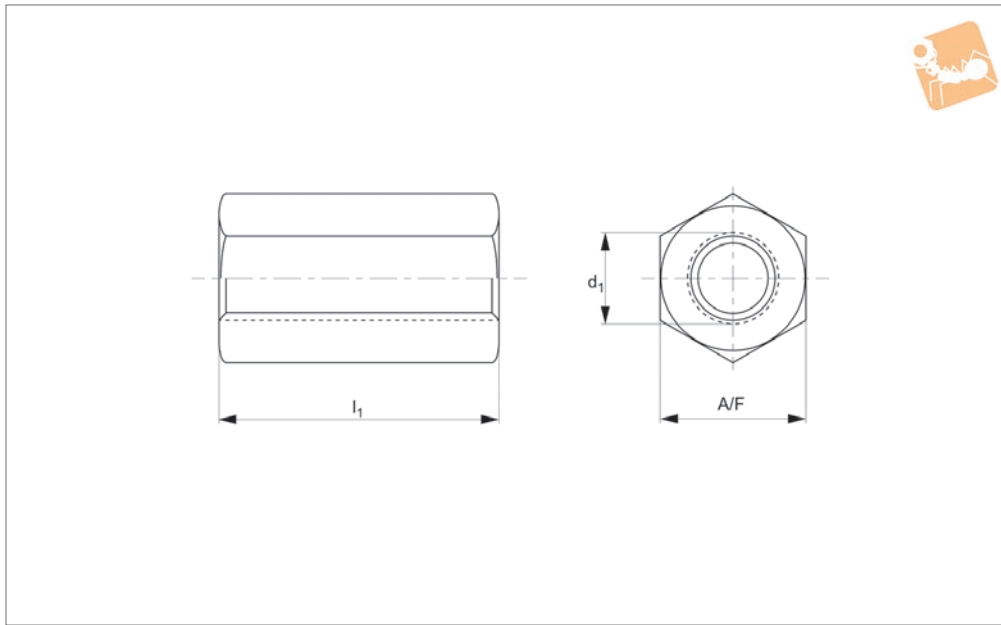




Hexagonal Coupler Nuts

A2 & A4 stainless



P0322.H

NUTS

Material

Stainless steel (A2 & A4)

Order No.	d ₁	l ₁	A/F	Material
P0322.060-020-H2	M 6	20	10	A2 s/s
P0322.060-025-H2	M 6	25	10	A2 s/s
P0322.060-030-H2	M 6	30	10	A2 s/s
P0322.060-035-H2	M 6	35	10	A2 s/s
P0322.060-040-H2	M 6	40	10	A2 s/s
P0322.080-020-H2	M 8	20	13	A2 s/s
P0322.080-025-H2	M 8	25	13	A2 s/s
P0322.080-030-H2	M 8	30	13	A2 s/s
P0322.080-035-H2	M 8	35	13	A2 s/s
P0322.080-040-H2	M 8	40	13	A2 s/s
P0322.080-050-H2	M 8	50	13	A2 s/s
P0322.100-020-H2	M10	20	17	A2 s/s
P0322.100-025-H2	M10	25	17	A2 s/s
P0322.100-030-H2	M10	30	17	A2 s/s
P0322.100-035-H2	M10	35	17	A2 s/s
P0322.100-040-H2	M10	40	17	A2 s/s
P0322.100-050-H2	M10	50	17	A2 s/s
P0322.120-030-H2	M12	30	19	A2 s/s
P0322.120-035-H2	M12	35	19	A2 s/s
P0322.120-040-H2	M12	40	19	A2 s/s
P0322.120-050-H2	M12	50	19	A2 s/s
P0322.160-040-H2	M16	40	24	A2 s/s
P0322.160-050-H2	M16	50	24	A2 s/s
P0322.200-050-H2	M20	50	30	A2 s/s
P0322.240-050-H2	M24	50	36	A2 s/s
P0322.300-060-H2	M30	60	46	A2 s/s
P0322.060-020-H4	M 6	20	10	A4 s/s
P0322.060-025-H4	M 6	25	10	A4 s/s
P0322.060-030-H4	M 6	30	10	A4 s/s
P0322.060-035-H4	M 6	35	10	A4 s/s
P0322.060-040-H4	M 6	40	10	A4 s/s
P0322.080-020-H4	M 8	20	13	A4 s/s
P0322.080-025-H4	M 8	25	13	A4 s/s
P0322.080-030-H4	M 8	30	13	A4 s/s
P0322.080-035-H4	M 8	35	13	A4 s/s



Hexagonal Coupler Nuts

A2 & A4 stainless



Order No.	d ₁	l ₁	A/F	Material
P0322.080-040-H4	M 8	40	13	A4 s/s
P0322.080-050-H4	M 8	50	13	A4 s/s
P0322.100-020-H4	M10	20	17	A4 s/s
P0322.100-025-H4	M10	25	17	A4 s/s
P0322.100-030-H4	M10	30	17	A4 s/s
P0322.100-035-H4	M10	35	17	A4 s/s
P0322.100-040-H4	M10	40	17	A4 s/s
P0322.120-030-H4	M12	30	19	A4 s/s
P0322.120-035-H4	M12	35	19	A4 s/s
P0322.120-040-H4	M12	40	19	A4 s/s
P0322.120-050-H4	M12	50	19	A4 s/s
P0322.160-040-H4	M16	40	24	A4 s/s
P0322.160-050-H4	M16	50	24	A4 s/s
P0322.200-050-H4	M20	50	30	A4 s/s
P0322.240-050-H4	M24	50	36	A4 s/s
P0322.300-060-H4	M30	60	46	A4 s/s