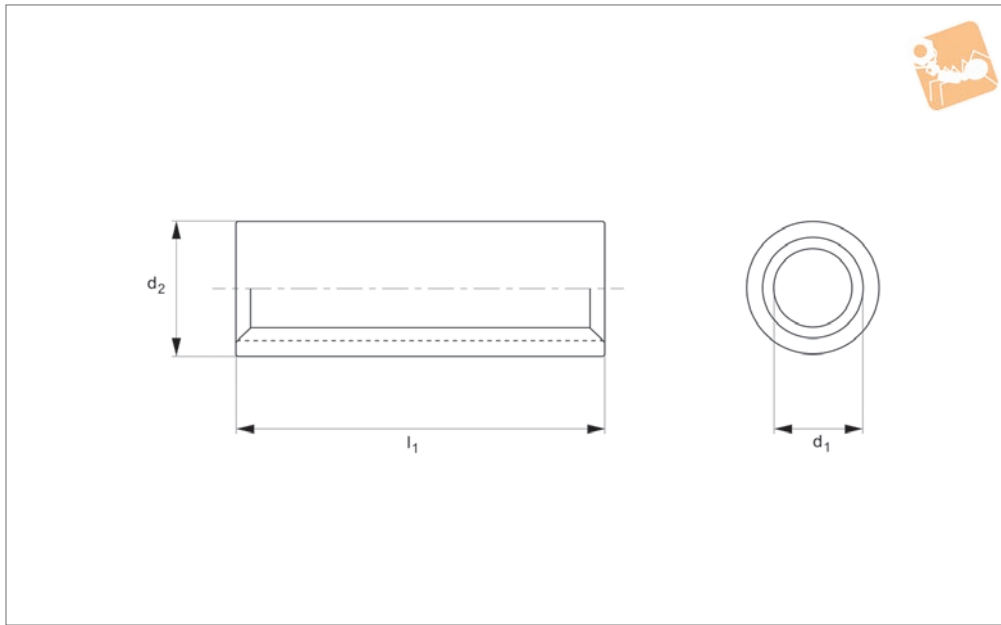




# Round Coupler Nuts

A2 & A4 stainless



**P0322.R**

NUTS

## Material

Stainless steel (A2 & A4)

Order No.	$d_1$	$d_2$	$l_1$	Material
P0322.060-020-R2	M 6	10	20	A2 s/s
P0322.060-025-R2	M 6	10	25	A2 s/s
P0322.060-030-R2	M 6	10	30	A2 s/s
P0322.080-020-R2	M 8	11	20	A2 s/s
P0322.080-025-R2	M 8	11	25	A2 s/s
P0322.080-030-R2	M 8	11	30	A2 s/s
P0322.080-035-R2	M 8	11	35	A2 s/s
P0322.080-040-R2	M 8	11	40	A2 s/s
P0322.080-050-R2	M 8	11	50	A2 s/s
P0322.100-025-R2	M10	13	25	A2 s/s
P0322.100-030-R2	M10	13	30	A2 s/s
P0322.100-035-R2	M10	13	35	A2 s/s
P0322.100-040-R2	M10	13	40	A2 s/s
P0322.100-050-R2	M10	13	50	A2 s/s
P0322.120-030-R2	M12	15	30	A2 s/s
P0322.120-035-R2	M12	15	35	A2 s/s
P0322.120-040-R2	M12	15	40	A2 s/s
P0322.120-050-R2	M12	15	50	A2 s/s
P0322.160-040-R2	M16	22	40	A2 s/s
P0322.160-050-R2	M16	22	50	A2 s/s
P0322.200-050-R2	M20	28	5	A2 s/s
P0322.060-020-R4	M 6	10	20	A4 s/s
P0322.060-025-R4	M 6	10	25	A4 s/s
P0322.060-030-R4	M 6	10	30	A4 s/s
P0322.080-020-R4	M 8	11	20	A4 s/s
P0322.080-025-R4	M 8	11	25	A4 s/s
P0322.080-030-R4	M 8	11	30	A4 s/s
P0322.080-035-R4	M 8	11	35	A4 s/s
P0322.080-040-R4	M 8	11	40	A4 s/s
P0322.080-050-R4	M 8	11	50	A4 s/s
P0322.100-025-R4	M10	13	25	A4 s/s
P0322.100-030-R4	M10	13	30	A4 s/s
P0322.100-035-R4	M10	13	35	A4 s/s
P0322.100-040-R4	M10	13	40	A4 s/s
P0322.100-050-R4	M10	13	50	A4 s/s

Nuts



## Round Coupler Nuts

A2 & A4 stainless



Order No.	d <sub>1</sub>	d <sub>2</sub>	l <sub>1</sub>	Material
P0322.120-030-R4	M12	15	30	A4 s/s
P0322.120-035-R4	M12	15	35	A4 s/s
P0322.120-040-R4	M12	15	40	A4 s/s
P0322.120-050-R4	M12	15	50	A4 s/s
P0322.160-040-R4	M16	22	40	A4 s/s
P0322.160-050-R4	M16	22	50	A4 s/s
P0322.200-050-R4	M20	28	50	A4 s/s

NUTS