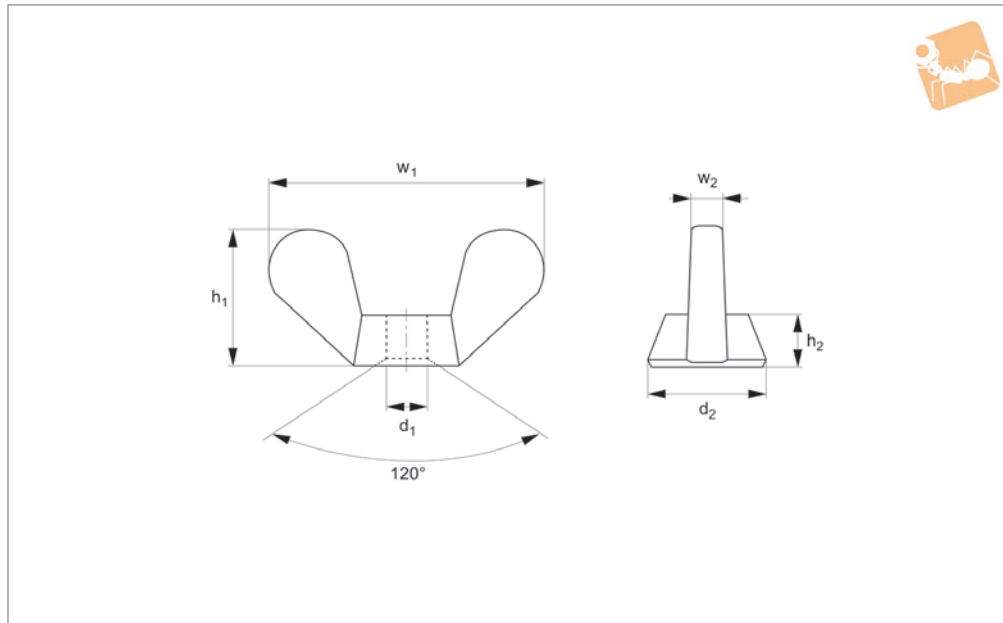




# Wing Nuts

Female thread - A4 stainless



**P0328.A4**

NUTS

**Material**  
Stainless steel (A4).

**Technical Notes**  
To DIN 315 AF.

Order No.	$d_1$	$w_1$	$h_1$	$h_2$ max.	Material
P0328.030-A4	M 3	18.5	8.8	3.0	A4 s/s
P0328.040-A4	M 4	18.5	8.8	3.0	A4 s/s
P0328.050-A4	M 5	22.0	10.5	4.0	A4 s/s
P0328.060-A4	M 6	26.8	12.9	4.9	A4 s/s
P0328.080-A4	M 8	30.3	14.8	5.4	A4 s/s
P0328.100-A4	M10	35.3	17.3	6.3	A4 s/s
P0328.120-A4	M12	47.5	22.5	7.9	A4 s/s
P0328.160-A4	M16	65.0	30.8	10.6	A4 s/s
P0328.200-A4	M20	67.0	31.2	12.2	A4 s/s