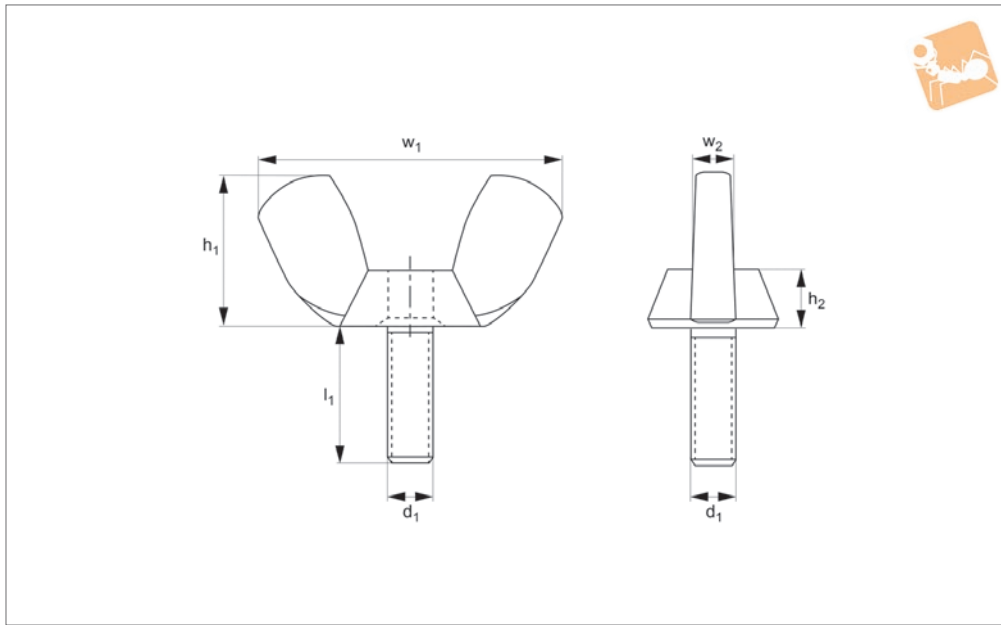




Wing Screws

Male thread - steel, zinc-plated



P0329.ZP

NUTS

Material

Steel, zinc-plated.

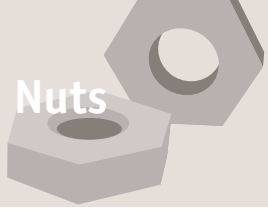
Tips

Other sizes available on request.

Technical Notes

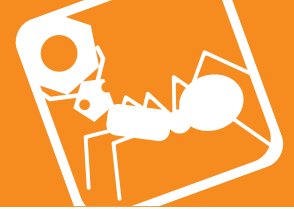
To DIN 316 AF.

Order No.	d ₁	w ₁	w ₂	h ₁	h ₂	l ₁	Material
P0329.040-010-ZP	M 4	18.0	1.6	8.5	3.2	10	Steel ZP
P0329.040-012-ZP	M 4	18.0	1.6	8.5	3.2	12	Steel ZP
P0329.040-016-ZP	M 4	18.0	1.6	8.5	3.2	16	Steel ZP
P0329.040-020-ZP	M 4	18.0	1.6	8.5	3.2	20	Steel ZP
P0329.040-025-ZP	M 4	18.0	1.6	8.5	3.2	25	Steel ZP
P0329.040-030-ZP	M 4	18.0	1.6	8.5	3.2	30	Steel ZP
P0329.050-010-ZP	M 5	24.0	2.1	11.0	4.0	10	Steel ZP
P0329.050-012-ZP	M 5	24.0	2.1	11.0	4.0	12	Steel ZP
P0329.050-016-ZP	M 5	24.0	2.1	11.0	4.0	16	Steel ZP
P0329.050-020-ZP	M 5	24.0	2.1	11.0	4.0	20	Steel ZP
P0329.050-025-ZP	M 5	24.0	2.1	11.0	4.0	25	Steel ZP
P0329.050-030-ZP	M 5	24.0	2.1	11.0	4.0	30	Steel ZP
P0329.050-035-ZP	M 5	24.0	2.1	11.0	4.0	35	Steel ZP
P0329.050-040-ZP	M 5	24.0	2.1	11.0	4.0	40	Steel ZP
P0329.050-045-ZP	M 5	24.0	2.1	11.0	4.0	45	Steel ZP
P0329.050-050-ZP	M 5	24.0	2.1	11.0	4.0	50	Steel ZP
P0329.060-010-ZP	M 6	30.0	2.5	15.0	5.0	10	Steel ZP
P0329.060-012-ZP	M 6	30.0	2.5	15.0	5.0	12	Steel ZP
P0329.060-016-ZP	M 6	30.0	2.5	15.0	5.0	16	Steel ZP
P0329.060-020-ZP	M 6	30.0	2.5	15.0	5.0	20	Steel ZP
P0329.060-025-ZP	M 6	30.0	2.5	15.0	5.0	25	Steel ZP
P0329.060-030-ZP	M 6	30.0	2.5	15.0	5.0	30	Steel ZP
P0329.060-035-ZP	M 6	30.0	2.5	15.0	5.0	35	Steel ZP
P0329.060-040-ZP	M 6	30.0	2.5	15.0	5.0	40	Steel ZP
P0329.060-045-ZP	M 6	30.0	2.5	15.0	5.0	45	Steel ZP
P0329.060-050-ZP	M 6	30.0	2.5	15.0	5.0	50	Steel ZP
P0329.080-010-ZP	M 8	36.0	2.8	18.0	6.5	10	Steel ZP
P0329.080-012-ZP	M 8	36.0	2.8	18.0	6.5	12	Steel ZP
P0329.080-016-ZP	M 8	36.0	2.8	18.0	6.5	16	Steel ZP
P0329.080-020-ZP	M 8	36.0	2.8	18.0	6.5	20	Steel ZP
P0329.080-025-ZP	M 8	36.0	2.8	18.0	6.5	25	Steel ZP
P0329.080-030-ZP	M 8	36.0	2.8	18.0	6.5	30	Steel ZP
P0329.080-035-ZP	M 8	36.0	2.8	18.0	6.5	35	Steel ZP
P0329.080-040-ZP	M 8	36.0	2.8	18.0	6.5	40	Steel ZP



Wing Screws

Male thread - steel, zinc-plated



Order No.	d ₁	w ₁	w ₂	h ₁	h ₂	l ₁	Material
P0329.080-045-ZP	M 8	36.0	2.8	18.0	6.5	45	Steel ZP
P0329.080-050-ZP	M 8	36.0	2.8	18.0	6.5	50	Steel ZP
P0329.080-055-ZP	M 8	36.0	2.8	18.0	6.5	55	Steel ZP
P0329.080-060-ZP	M 8	36.0	2.8	18.0	6.5	60	Steel ZP
P0329.100-016-ZP	M10	48.0	3.3	23.0	8.0	16	Steel ZP
P0329.100-020-ZP	M10	48.0	3.3	23.0	8.0	20	Steel ZP
P0329.100-025-ZP	M10	48.0	3.3	23.0	8.0	25	Steel ZP
P0329.100-030-ZP	M10	48.0	3.3	23.0	8.0	30	Steel ZP
P0329.100-035-ZP	M10	48.0	3.3	23.0	8.0	35	Steel ZP
P0329.100-040-ZP	M10	48.0	3.3	23.0	8.0	40	Steel ZP
P0329.100-045-ZP	M10	48.0	3.3	23.0	8.0	45	Steel ZP
P0329.100-050-ZP	M10	48.0	3.3	23.0	8.0	50	Steel ZP
P0329.100-055-ZP	M10	48.0	3.3	23.0	8.0	55	Steel ZP
P0329.100-060-ZP	M10	48.0	3.3	23.0	8.0	60	Steel ZP
P0329.120-020-ZP	M12	62.0	4.5	31.0	10.0	20	Steel ZP
P0329.120-025-ZP	M12	62.0	4.5	31.0	10.0	25	Steel ZP
P0329.120-030-ZP	M12	62.0	4.5	31.0	10.0	30	Steel ZP