

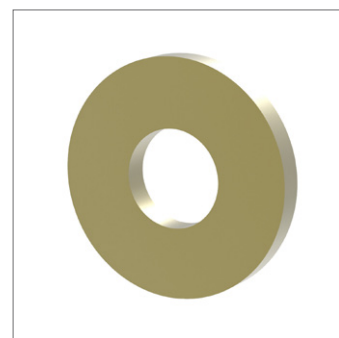
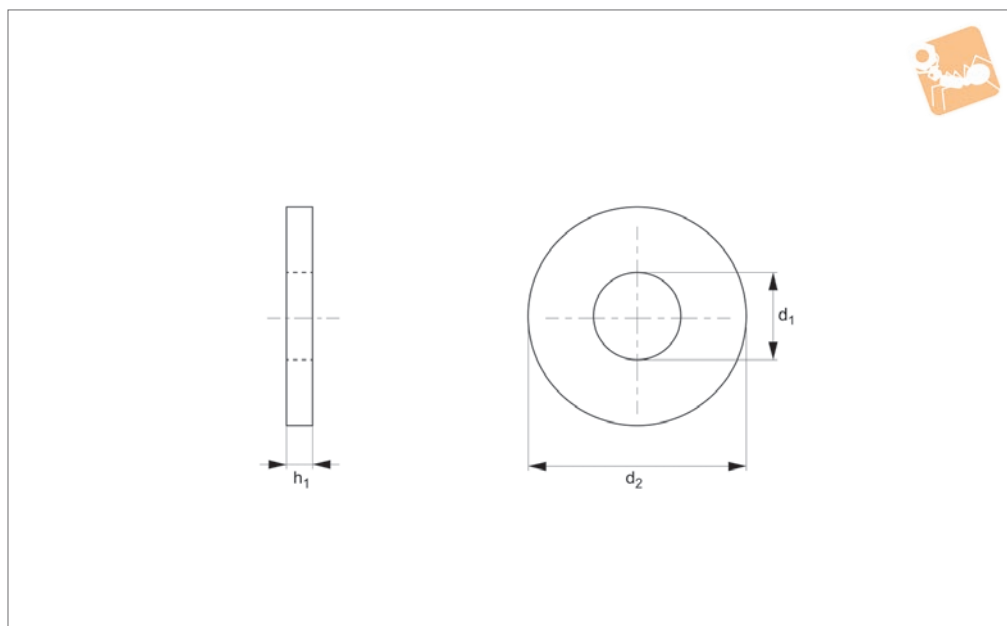


Flat Washers Form A

Brass



Flat Washers



P0330.BR

FLAT WASHERS

Material
Brass.

Technical Notes
To DIN 125 A.

Order No.	For thread	d_1	d_2	h_1	Material
P0330.025-BR	M2,5	2.7	6	0.5	Brass
P0330.030-BR	M 3	3.2	7	0.5	Brass
P0330.053-BR	M5-3	5.3	10	1.0	Brass
P0330.043-BR	M4-5	4.3	9	0.8	Brass
P0330.064-BR	M 6	6.4	12	1.6	Brass
P0330.074-BR	M7-9	7.4	14	1.6	Brass
P0330.084-BR	M8-5	8.4	16	1.6	Brass
P0330.250-BR	M24	25	44	4.0	Brass
P0330.027-BR	M2,5	2.7	6	0.5	Brass
P0330.032-BR	M3	3.2	7	0.5	Brass
P0330.022-BR	M2-5	2.2	5	0.3	Brass