

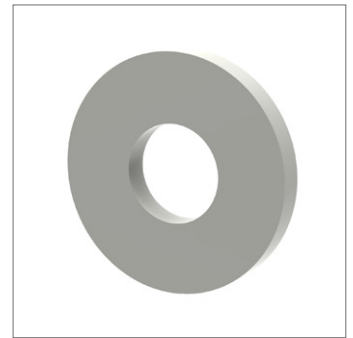
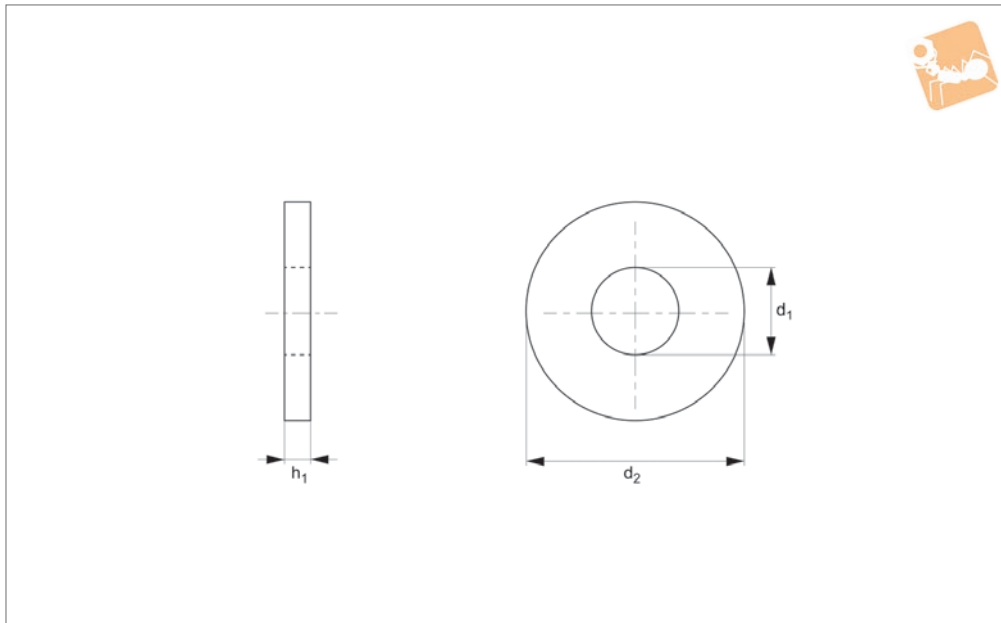


Flat Washers Form A

Nylon



Flat Washers



P0330.NL

FLAT WASHERS

Material
Nylon.

Technical Notes
To DIN 125 A.

Order No.	For thread	d_1	d_2	h_1	Material
P0330.025-NL	M2,5	2.7	6	0.5	Nylon
P0330.030-NL	M 3	3.2	7	0.5	Nylon
P0330.040-NL	M 4	4.3	9	0.8	Nylon
P0330.050-NL	M 5	5.3	10	1.0	Nylon
P0330.060-NL	M 6	6.4	12	1.6	Nylon
P0330.080-NL	M 8	8.4	16	1.6	Nylon
P0330.100-NL	M10	10.5	20	2.0	Nylon
P0330.120-NL	M12	13.0	24	2.5	Nylon
P0330.160-NL	M16	17.0	30	3.0	Nylon
P0330.200-NL	M20	21.0	37	3.0	Nylon
P0330.240-NL	M24	25.0	44	4.0	Nylon
P0330.300-NL	M30	31.0	56	4.0	Nylon