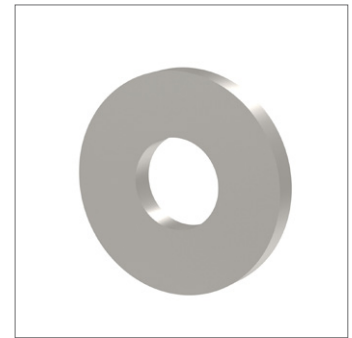
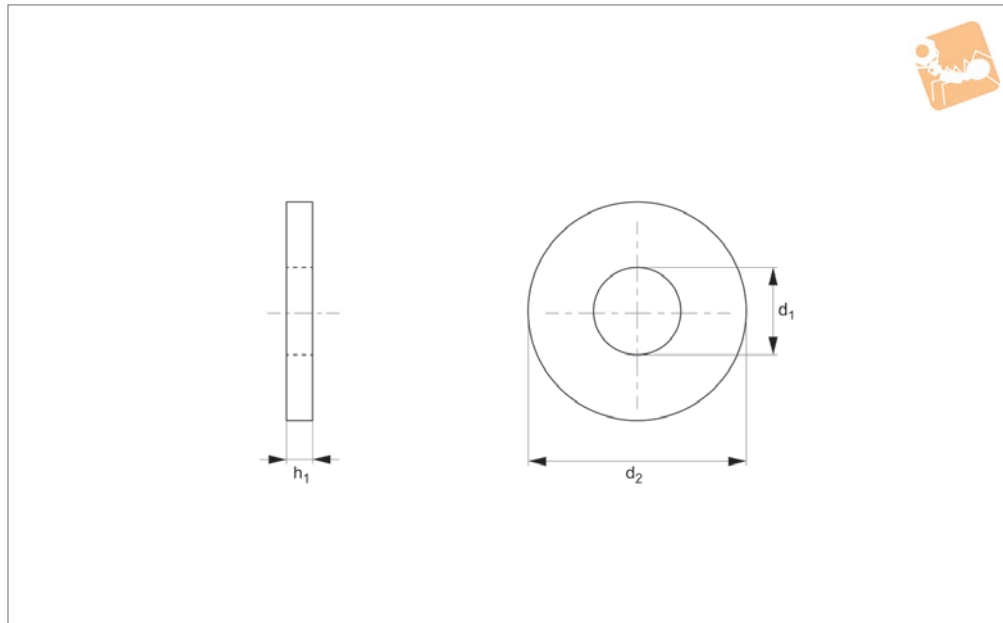




Penny Washers mudguard washers

Flat Washers



P0333.ZP

FLAT WASHERS

Material

Steel, zinc-plated.

Technical Notes

Also known as Mudguard washers.

Order No.	For thread	d ₁	d ₂	h ₁	Material
P0333.030-010-ZP	M 3	3.3	10	0.8	Steel ZP
P0333.040-020-ZP	M 4	4.2	20	1.2	Steel ZP
P0333.050-020-ZP	M 5	5.2	20	1.3	Steel ZP
P0333.050-025-ZP	M 5	5.2	25	1.3	Steel ZP
P0333.050-030-ZP	M 5	5.2	30	1.3	Steel ZP
P0333.060-014-ZP	M 6	6.5	14	1.5	Steel ZP
P0333.060-020-ZP	M 6	6.5	20	1.5	Steel ZP
P0333.060-025-ZP	M 6	6.5	25	1.5	Steel ZP
P0333.060-027-ZP	M 6	6.5	27	1.5	Steel ZP
P0333.060-030-ZP	M 6	6.5	30	1.5	Steel ZP
P0333.060-035-ZP	M 6	6.5	35	1.5	Steel ZP
P0333.060-038-ZP	M 6	6.5	38	1.5	Steel ZP
P0333.060-040-ZP	M 6	6.5	40	1.5	Steel ZP
P0333.070-020-ZP	M 7	7.4	20	1.5	Steel ZP
P0333.070-025-ZP	M 7	7.4	25	1.5	Steel ZP
P0333.070-030-ZP	M 7	7.4	30	1.5	Steel ZP
P0333.080-025-ZP	M 8	8.4	25	1.5	Steel ZP
P0333.080-030-ZP	M 8	8.4	30	1.5	Steel ZP
P0333.080-035-ZP	M 8	8.4	35	1.5	Steel ZP
P0333.080-038-ZP	M 8	8.4	38	1.5	Steel ZP
P0333.080-040-ZP	M 8	8.4	40	1.5	Steel ZP
P0333.080-045-ZP	M 8	8.4	45	1.5	Steel ZP
P0333.080-050-ZP	M 8	8.4	50	1.5	Steel ZP
P0333.100-030-ZP	M10	10.5	30	1.5	Steel ZP
P0333.100-035-ZP	M10	10.5	35	1.5	Steel ZP
P0333.100-038-ZP	M10	10.5	38	1.5	Steel ZP
P0333.100-040-ZP	M10	10.5	40	1.5	Steel ZP
P0333.100-050-ZP	M10	10.5	50	1.5	Steel ZP
P0333.100-060-ZP	M10	10.5	60	1.5	Steel ZP
P0333.110-035-ZP	M11	11.5	35	1.5	Steel ZP
P0333.120-030-ZP	M12	12.5	30	2.0	Steel ZP
P0333.120-036-ZP	M12	12.5	36	2.0	Steel ZP
P0333.120-040-ZP	M12	12.5	40	2.0	Steel ZP
P0333.120-060-ZP	M12	12.5	60	2.0	Steel ZP
P0333.140-036-ZP	M14	14.5	36	2.0	Steel ZP



Order No.	For thread	d ₁	d ₂	h ₁	Material
P0333.140-040-ZP	M14	14.5	40	2.0	Steel ZP
P0333.140-045-ZP	M14	14.5	45	2.0	Steel ZP
P0333.160-040-ZP	M16	16.5	40	2.5	Steel ZP
P0333.160-045-ZP	M16	16.5	45	2.5	Steel ZP
P0333.160-050-ZP	M16	16.5	50	2.5	Steel ZP
P0333.170-040-ZP	M17	17.2	40	2.5	Steel ZP
P0333.170-045-ZP	M17	17.2	45	2.5	Steel ZP
P0333.200-050-ZP	M20	20.2	50	2.5	Steel ZP
P0333.200-055-ZP	M20	20.2	55	2.5	Steel ZP
P0333.220-075-ZP	M22	24.0	75	4.0	Steel ZP
P0333.240-080-ZP	M24	25.0	80	4.0	Steel ZP
P0333.240-085-ZP	M24	25.0	85	4.0	Steel ZP
P0333.270-085-ZP	M27	28.0	85	4.0	Steel ZP
P0333.300-095-ZP	M30	32.0	95	4.0	Steel ZP