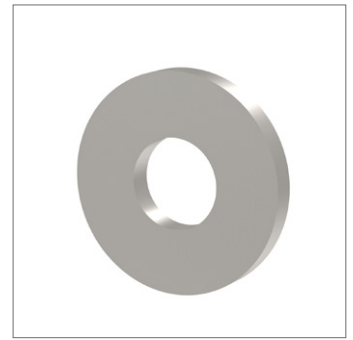
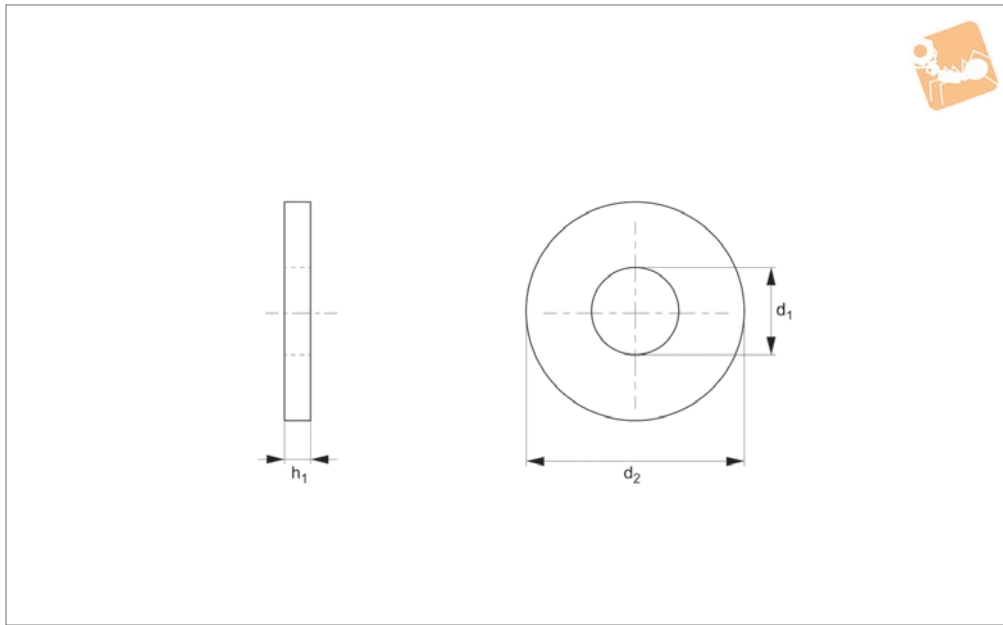




# Heavy Flat Washers

Heavy - steel, self-coloured



**P0336.SC**

FLAT WASHERS

### Material

Steel, self-colour.

### Technical Notes

To DIN 7349.

Order No.	d <sub>1</sub>	d <sub>2</sub>	For thread	h	Material
P0336.030-SC	3.2	9	M 3	1.0	Steel SC
P0336.040-SC	4.3	12	M 4	1.6	Steel SC
P0336.050-SC	5.3	15	M 5	2.0	Steel SC
P0336.060-SC	6.4	17	M 6	3.0	Steel SC
P0336.080-SC	8.4	21	M 8	4.0	Steel SC
P0336.100-SC	10.5	25	M10	4.0	Steel SC
P0336.120-SC	13.0	30	M12	6.0	Steel SC
P0336.140-SC	15.0	36	M14	6.0	Steel SC
P0336.160-SC	17.0	40	M16	6.0	Steel SC
P0336.180-SC	19.0	44	M18	8.0	Steel SC
P0336.200-SC	21.0	44	M20	8.0	Steel SC
P0336.220-SC	23.0	50	M22	8.0	Steel SC
P0336.240-SC	25.0	50	M24	10.0	Steel SC
P0336.270-SC	28.0	60	M27	10.0	Steel SC
P0336.300-SC	31.0	68	M30	10.0	Steel SC