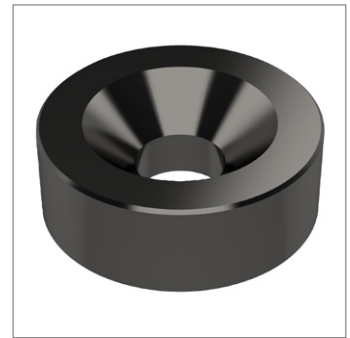
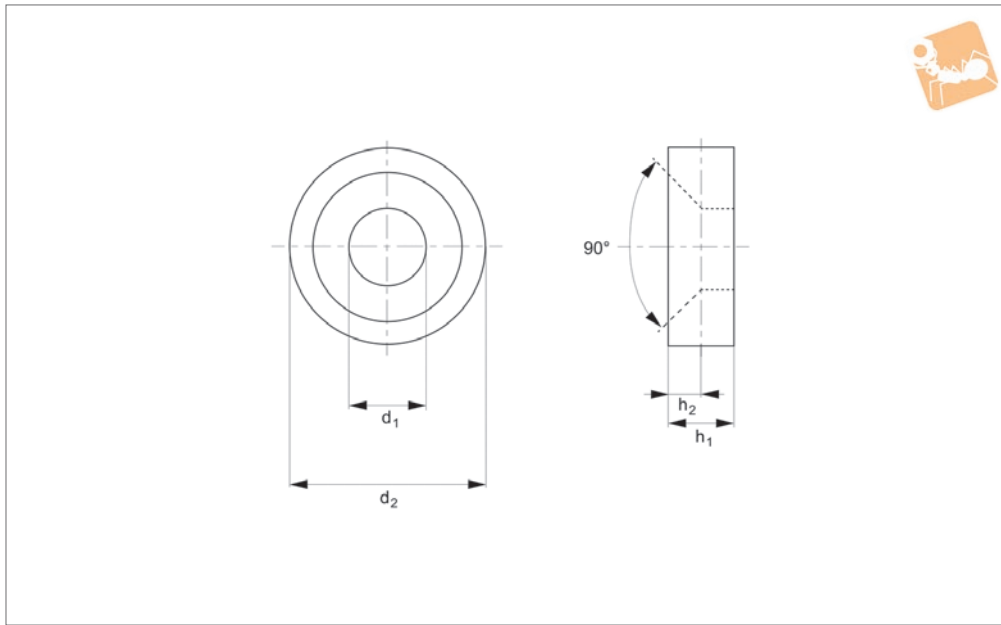




# Solid Countersunk Washers

303 stainless, blackened

## Flat Washers



**P0341.B2**

FLAT WASHERS

### Material

Stainless steel (AISI 303 series, 1.4305), black oxide finish.

### Technical Notes

Machined washers made from stainless steel to fit countersunk screws.

Order No.	For thread	$d_1$ $+0.3 +0.1$	$d_2$ $+0 -0.2$	$h_1$ $\pm 0.1$	$h_2$ $\pm 0.1$
P0341.025-025-B2	M 2,5	2.8	8	2.5	1.8
P0341.025-030-B2	M 2,5	2.8	8	3.0	1.8
P0341.025-040-B2	M 2,5	2.8	8	4.0	1.8
P0341.030-025-B2	M 3	3.5	10	2.5	2.0
P0341.030-030-B2	M 3	3.5	10	3.0	2.0
P0341.030-040-B2	M 3	3.5	10	4.0	2.0
P0341.030-050-B2	M 3	3.5	10	5.0	2.0
P0341.040-025-B2	M 4	4.5	14	2.5	2.7
P0341.040-030-B2	M 4	4.5	14	3.0	2.7
P0341.040-040-B2	M 4	4.5	14	4.0	2.7
P0341.040-050-B2	M 4	4.5	14	5.0	2.7
P0341.050-030-B2	M 5	5.5	16	3.0	3.5
P0341.050-040-B2	M 5	5.5	16	4.0	3.5
P0341.050-050-B2	M 5	5.5	16	5.0	3.5
P0341.050-060-B2	M 5	5.5	16	6.0	3.5
P0341.050-080-B2	M 5	5.5	16	8.0	3.5
P0341.060-035-B2	M 6	6.6	20	3.5	4.0
P0341.060-040-B2	M 6	6.6	20	4.0	4.0
P0341.060-050-B2	M 6	6.6	20	5.0	4.0
P0341.060-060-B2	M 6	6.6	20	6.0	4.0
P0341.060-080-B2	M 6	6.6	20	8.0	4.0
P0341.080-035-B2	M 8	8.4	20	3.5	5.2
P0341.080-040-B2	M 8	8.4	20	4.0	5.2
P0341.080-050-B2	M 8	8.4	20	5.0	5.2
P0341.080-060-B2	M 8	8.4	20	6.0	5.2
P0341.080-080-B2	M 8	8.4	20	8.0	5.2