

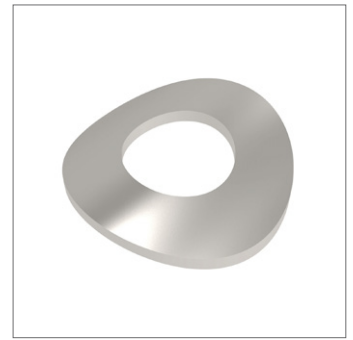
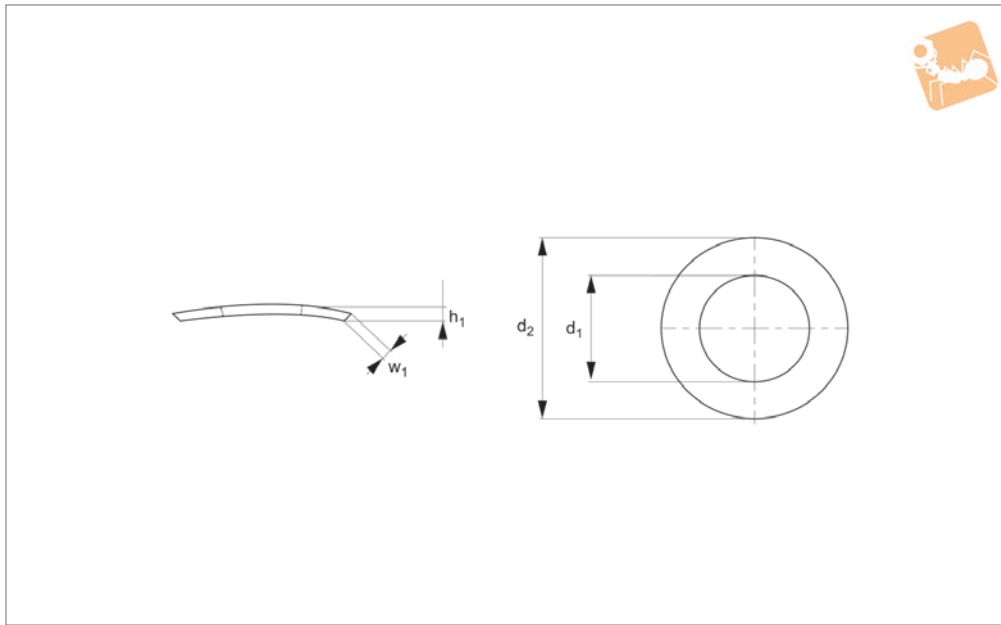


# Curved Spring Washers

A2 stainless



Flat Washers



**P0360.A2**

FLAT WASHERS

### Material

Stainless steel (A2, AISI 303).

loads.

Use with fasteners >5.8 class.

### Technical Notes

To DIN 137 A. Not for use under dynamic

Order No.	For thread	d <sub>1</sub>	d <sub>2</sub>	w <sub>1</sub>	h <sub>1</sub> min.	Material
P0360.012-A2	M1,2	1.3	3.0	0.2	0.7	A2 s/s
P0360.014-A2	M1,4	1.5	3.0	0.25	0.7	A2 s/s
P0360.017-A2	M1,7	1.8	4.0	0.25	0.9	A2 s/s
P0360.020-A2	M 2	2.2	4.5	0.3	1.0	A2 s/s
P0360.025-A2	M2,5	2.8	5.5	0.3	1.1	A2 s/s
P0360.026-A2	M2,6	2.8	5.5	0.3	1.1	A2 s/s
P0360.030-A2	M 3	3.2	6	0.4	1.3	A2 s/s
P0360.035-A2	M3,5	3.7	7	0.4	1.3	A2 s/s
P0360.040-A2	M 4	4.3	8	0.5	1.6	A2 s/s
P0360.050-A2	M 5	5.3	10	0.5	1.8	A2 s/s
P0360.060-A2	M 6	6.4	11	0.5	2.2	A2 s/s
P0360.070-A2	M 7	7.4	12	0.5	2.4	A2 s/s
P0360.080-A2	M 8	8.4	15	0.5	3.4	A2 s/s
P0360.100-A2	M10	10.5	18	0.8	4.0	A2 s/s