

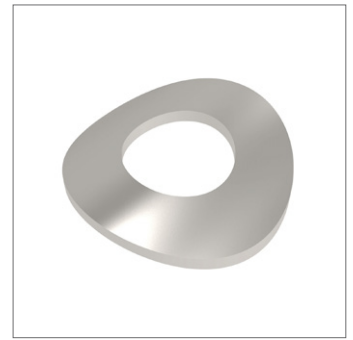
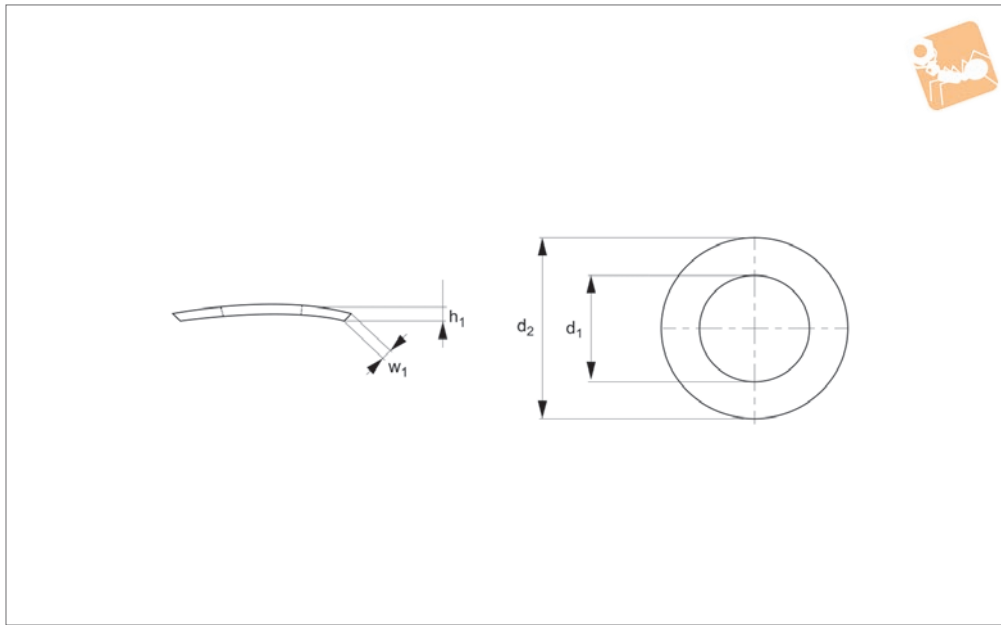


# Curved Spring Washers

Steel, self-coloured



## Flat Washers



**P0360.SC**

FLAT WASHERS

### Material

Spring steel, self-colour.

loads.

Use with fasteners >5.8 class.

### Technical Notes

To DIN 137 A. Not for use under dynamic

Order No.	For thread	d <sub>1</sub>	d <sub>2</sub>	w <sub>1</sub>	h <sub>1</sub> min.	Material
P0360.020-SC	M 2	2.2	4.5	0.3	1.0	Steel SC
P0360.025-SC	M2,5	2.8	5.5	0.3	1.1	Steel SC
P0360.030-SC	M 3	3.2	6	0.4	1.3	Steel SC
P0360.035-SC	M3,5	3.7	7	0.4	1.3	Steel SC
P0360.040-SC	M 4	4.3	8	0.5	1.6	Steel SC
P0360.050-SC	M 5	5.3	10	0.5	1.8	Steel SC
P0360.060-SC	M 6	6.4	11	0.5	2.2	Steel SC
P0360.070-SC	M 7	7.4	12	0.5	2.4	Steel SC
P0360.080-SC	M 8	8.4	15	0.5	3.4	Steel SC
P0360.100-SC	M10	10.5	18	0.8	4.0	Steel SC