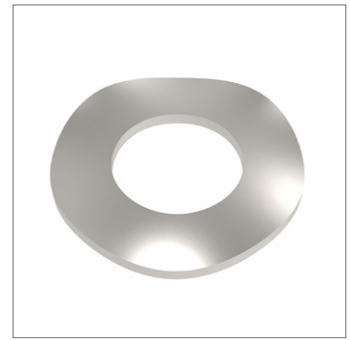
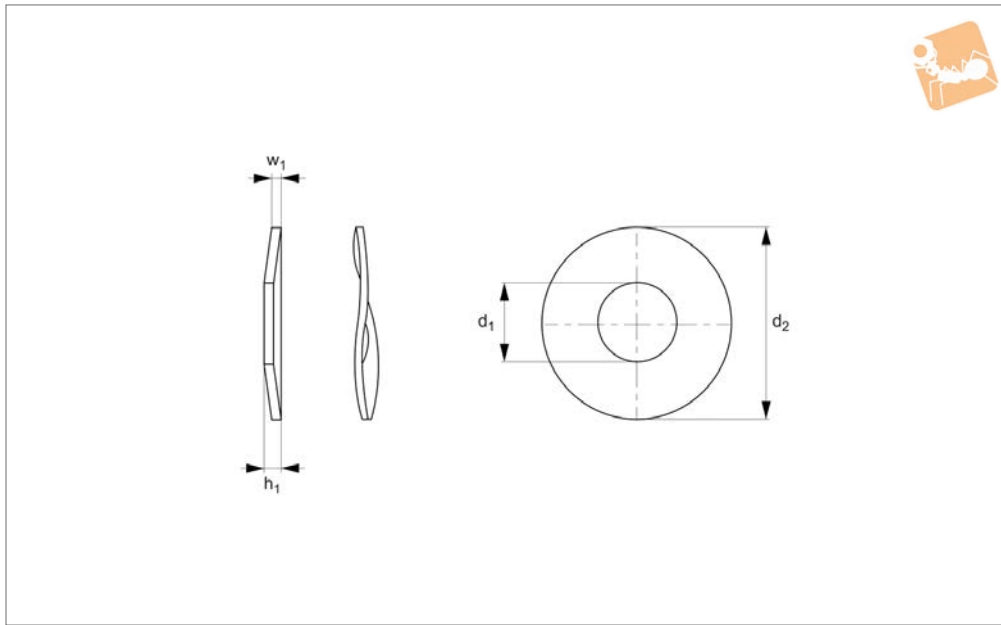




Wave Spring Washers

Steel, zinc-plated



P0361.ZP

FLAT WASHERS

Material

Steel, zinc-plated.

Technical Notes

To DIN 137 B.

Order No.	For thread	d ₁	d ₂	w ₁	h ₁ max.	Material
P0361.030-ZP	M 3	3.2	8	0.5	1.6	Steel SC
P0361.040-ZP	M 4	4.3	9	0.5	2.0	Steel SC
P0361.050-ZP	M 5	5.3	11	0.5	2.2	Steel SC
P0361.060-ZP	M 6	6.4	12	0.5	2.6	Steel SC
P0361.070-ZP	M 7	7.4	14	0.8	3.0	Steel SC
P0361.080-ZP	M 8	8.4	15	0.8	3.0	Steel SC
P0361.100-ZP	M10	10.5	21	1.0	4.2	Steel SC
P0361.120-ZP	M12	13	24	1.2	5.0	Steel SC
P0361.140-ZP	M14	15	28	1.6	6.0	Steel SC
P0361.160-ZP	M16	17	30	1.6	6.4	Steel SC