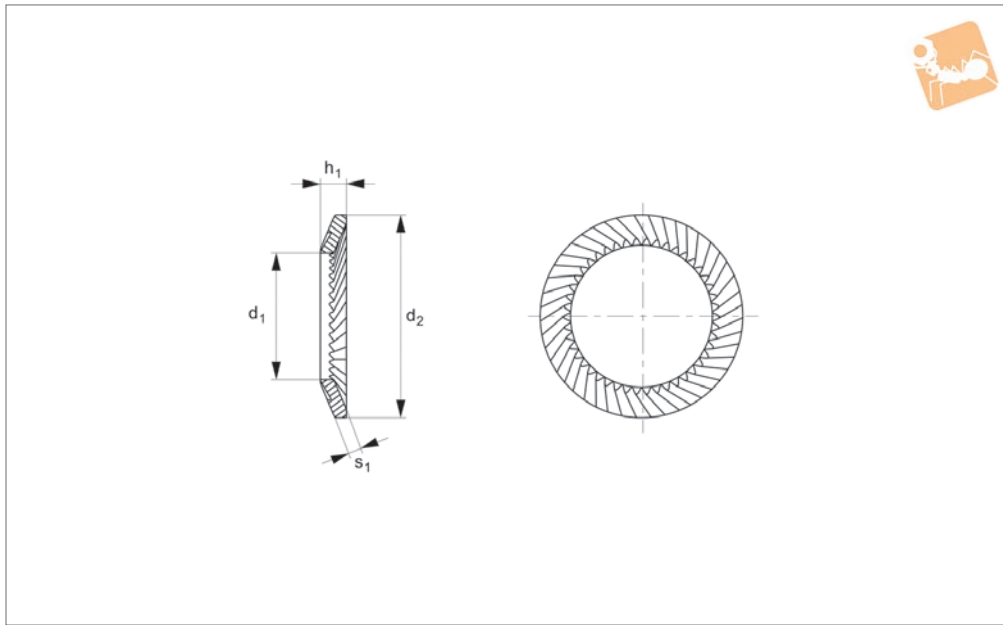




# Schnorr Safety Washers

A2 stainless



**P0363.A2**

FLAT WASHERS

### Material

Stainless steel (A2).

### Technical Notes

To DIN 17222. Can be used with screws of class 8 and 8.8

Order No.	For thread	d <sub>1</sub>	d <sub>2</sub>	h <sub>1</sub>	s <sub>1</sub>	Material
P0363.025-A2	M2,5	2.7	4.8	0.90	0.45	A2 s/s
P0363.030-A2	M 3	3.2	5.5	0.85	0.45	A2 s/s
P0363.040-A2	M 4	4.3	7.0	0.95	0.50	A2 s/s
P0363.050-A2	M 5	5.3	9.0	1.05	0.60	A2 s/s
P0363.060-A2	M 6	6.4	10.0	1.20	0.70	A2 s/s
P0363.080-A2	M 8	8.4	13.0	1.40	0.80	A2 s/s
P0363.100-A2	M10	10.5	16.0	1.60	1.00	A2 s/s
P0363.120-A2	M12	13.0	18.0	1.70	1.00	A2 s/s
P0363.140-A2	M14	15.0	21.0	2.00	1.20	A2 s/s
P0363.160-A2	M16	17.0	24.0	2.10	1.20	A2 s/s
P0363.200-A2	M20	21.0	30.0	2.50	1.40	A2 s/s
P0363.240-A2	M24	26.0	36.0	2.90	1.60	A2 s/s
P0363.300-A2	M30	32.0	45.0	3.60	2.00	A2 s/s