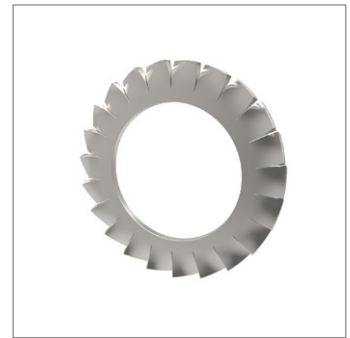
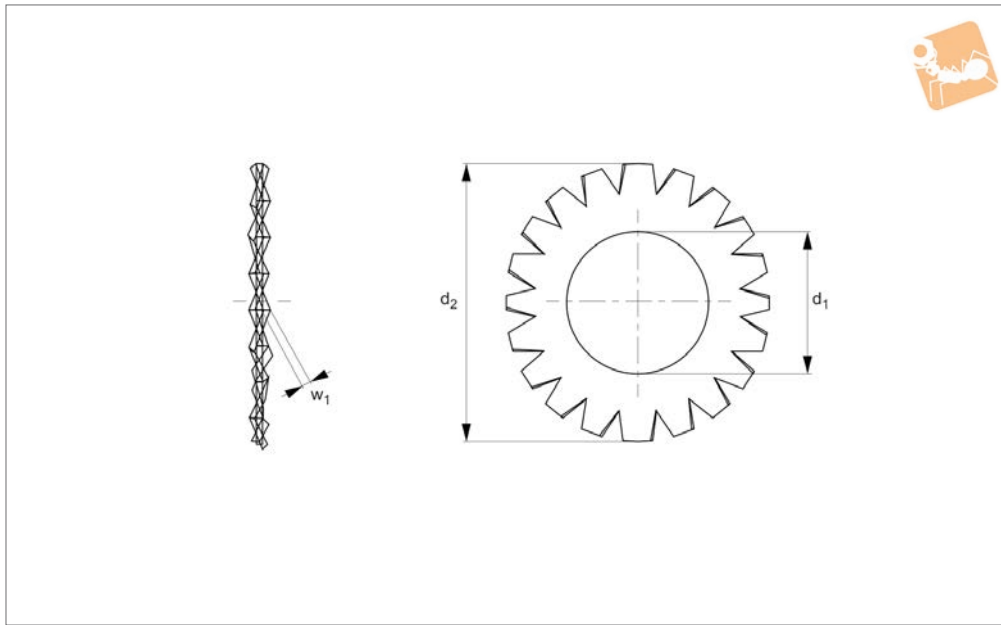




External Serrated Lock Washers

Steel, self-coloured



P0372.SC

FLAT WASHERS

Material
Spring steel, self-colour.

Technical Notes
To DIN 6798 A.

Order No.	d ₁ for thread	d ₂	w ₁	Material
P0372.020-SC	M 2	4.5	0.3	Steel SC
P0372.025-SC	M2,5	5.5	0.4	Steel SC
P0372.030-SC	M 3	6.0	0.4	Steel SC
P0372.035-SC	M3,5	7.0	0.5	Steel SC
P0372.040-SC	M 4	8.0	0.5	Steel SC
P0372.050-SC	M 5	9.0	0.6	Steel SC
P0372.051-SC	M 5	10.0	0.6	Steel SC
P0372.060-SC	M 6	11.0	0.7	Steel SC
P0372.070-SC	M 7	12.5	0.8	Steel SC
P0372.080-SC	M 8	14.0	0.8	Steel SC
P0372.081-SC	M 8	14.0	0.8	Steel SC
P0372.090-SC	M 9	15.0	0.9	Steel SC
P0372.100-SC	M10	18.0	1.0	Steel SC
P0372.120-SC	M12	20.5	1.0	Steel SC
P0372.140-SC	M14	24.0	1.2	Steel SC
P0372.160-SC	M16	26.0	1.4	Steel SC
P0372.180-SC	M18	30.0	1.4	Steel SC
P0372.200-SC	M20	33.0	1.5	Steel SC
P0372.220-SC	M22	36.0	1.5	Steel SC
P0372.240-SC	M24	38.0	1.6	Steel SC
P0372.270-SC	M27	44.0	1.6	Steel SC
P0372.300-SC	M30	48.0	1.6	Steel SC