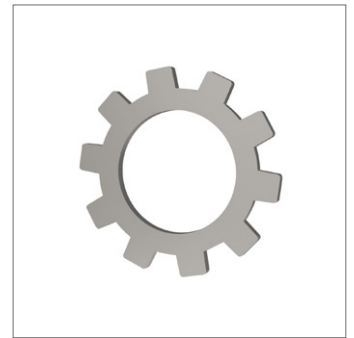
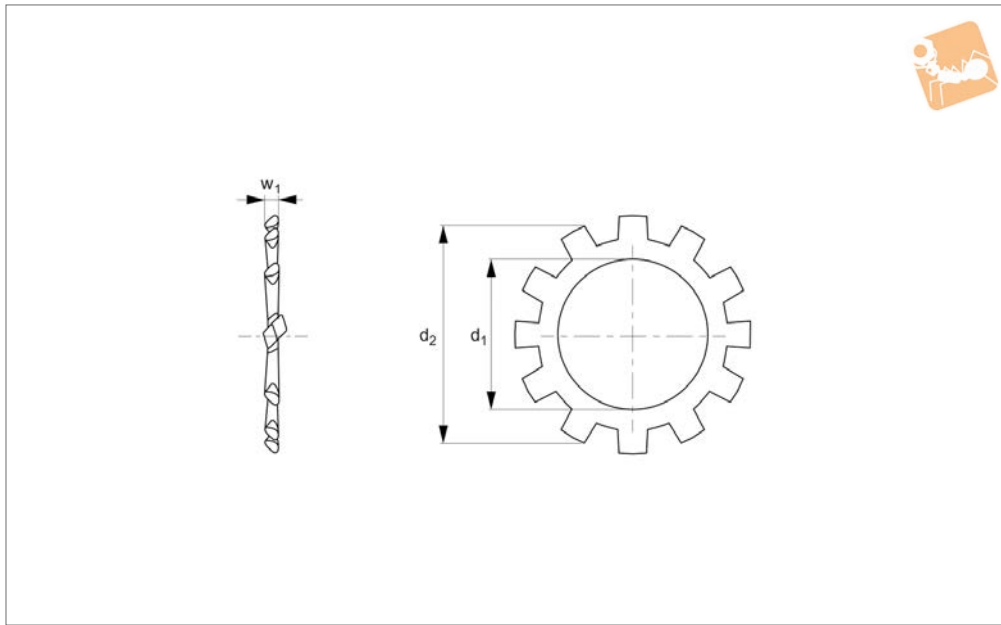




External SC Tooth Washers

Steel, self-coloured



P0374.SC

FLAT WASHERS

Material
Spring steel, self-colour.

Technical Notes
To DIN 6797 AZ.

Order No.	d ₁ for thread	d ₂	w ₁	Material
P0374.030-SC	M 3	5.5	0.4	Steel SC
P0374.040-SC	M 4	7.0	0.5	Steel SC
P0374.050-SC	M 5	8.0	0.5	Steel SC
P0374.060-SC	M 6	11.0	0.7	Steel SC
P0374.080-SC	M 8	15.0	0.8	Steel SC
P0374.100-SC	M10	18.0	0.9	Steel SC
P0374.120-SC	M12	20.5	1.0	Steel SC
P0374.140-SC	M14	24.0	1.0	Steel SC
P0374.160-SC	M16	26.0	1.2	Steel SC
P0374.200-SC	M20	33.0	1.4	Steel SC
P0374.240-SC	M24	38.0	1.5	Steel SC