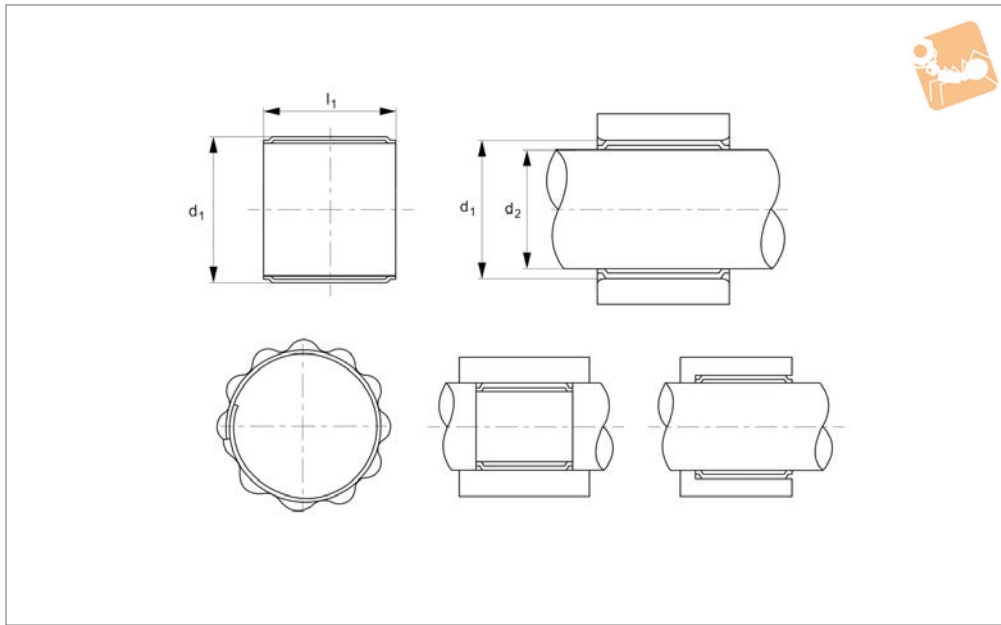




# Tolerance Rings - Shaft Variable- SV

SV type, A2 Stainless

## Tolerance Rings



**P0395**

TOLERANCE RINGS

### Material

Stainless steel (type 304, DIN 1.4301).

### Technical Notes

Tolerance rings allow the mating of parts

with wider tolerances.

The waves are on the outside, the ring sits on the shaft with the waves being compressed by the housing bore.

### Tips

For use where there is an accurate bore but the shaft may have a wide tolerance.

Order No.	d <sub>1</sub> tol. h9	d <sub>1</sub> nom.	l	d <sub>2</sub> for bearings	d <sub>2</sub> for torque transfer	Torque Nm max.	Radial load N max.	Material
P0395.SV005-005	5	5	5	4,01 to 4,06	4,14 to 4,18	0.17	180	Steel
P0395.SV005-008	5	5	8	4,01 to 4,06	4,18 to 4,18	0.35	260	Steel
P0395.SV005-010	5	5	10	4,01 to 4,06	4,14 to 4,18	0.50	310	Steel
P0395.SV006-006	6	6	6	5,01 to 5,06	5,14 to 5,18	0.33	380	Steel
P0395.SV006-008	6	6	8	5,01 to 5,06	5,14 to 5,18	0.45	575	Stainless
P0395.SV006-010	6	6	10	5,01 to 5,06	5,14 to 5,18	0.90	690	Stainless
P0395.SV006-012	6	6	12	5,01 to 5,06	5,14 to 5,18	1.25	940	Steel
P0395.SV008-005	8	8	5	6,51 to 6,57	6,65 to 6,71	0.45	550	Steel
P0395.SV008-007	8	8	7	6,51 to 6,57	6,65 to 6,71	0.68	780	Stainless
P0395.SV008-008	8	8	8	6,51 to 6,57	6,65 to 6,71	0.80	910	Steel
P0395.SV008-010	8	8	10	6,51 to 6,57	6,65 to 6,71	1.00	1125	Steel
P0395.SV008-014	8	8	14	6,51 to 6,57	6,65 to 6,71	1.30	1400	Stainless
P0395.SV009-008	9	9	8	7,51 to 7,57	7,65 to 7,71	0.85	1070	Steel
P0395.SV010-006	10	10	6	8,51 to 8,57	8,65 to 8,71	1.80	950	Stainless
P0395.SV010-010	10	10	10	8,51 to 8,57	8,65 to 8,71	3.00	1275	Steel
P0395.SV010-012	10	10	12	8,51 to 8,57	8,65 to 8,71	3.60	1650	Steel
P0395.SV010-014	10	10	14	8,51 to 8,57	8,65 to 8,71	3.90	2000	Stainless
P0395.SV010-016	10	10	16	8,51 to 8,57	8,65 to 8,71	4.50	2100	Steel
P0395.SV011-010	11	11	10	9,51 to 9,57	9,65 to 9,71	4.00	1400	Steel
P0395.SV011-014	11	11	14	9,51 to 9,57	9,65 to 9,71	5.50	1680	Steel
P0395.SV012-006	12	12	6	10,52 to 10,59	10,70 to 10,77	2.20	1075	Stainless
P0395.SV012-008	12	12	8	10,52 to 10,59	10,70 to 10,77	3.20	1300	Stainless
P0395.SV012-010	12	12	10	10,52 to 10,59	10,70 to 10,77	4.50	1560	Stainless
P0395.SV012-012	12	12	12	10,52 to 10,59	10,70 to 10,77	5.30	2100	Stainless
P0395.SV012-014	12	12	14	10,52 to 10,59	10,70 to 10,77	6.10	2400	Steel
P0395.SV012-018	12	12	18	10,52 to 10,59	10,70 to 10,77	7.90	3075	Stainless
P0395.SV013-008	13	13	8	11,52 to 11,59	11,70 to 11,77	4.00	1650	Stainless
P0395.SV013-010	13	13	10	11,52 to 11,59	11,70 to 11,77	4.75	1800	Stainless
P0395.SV013-012	13	13	12	11,52 to 11,59	11,70 to 11,77	5.60	2300	Stainless
P0395.SV013-015	13	13	15	11,52 to 11,59	11,70 to 11,77	7.20	3000	Stainless
P0395.SV014-008	14	14	8	12,52 to 12,59	12,70 to 12,77	4.20	1825	Stainless
P0395.SV014-010	14	14	10	12,52 to 12,59	12,70 to 12,77	4.90	2000	Stainless
P0395.SV014-014	14	14	14	12,52 to 12,59	12,70 to 12,77	5.60	3300	Stainless



TOLERANCE RINGS

Order No.	d <sub>1</sub> tol. h9	d <sub>1</sub> nom.	l	d <sub>2</sub> for bearings	d <sub>2</sub> for torque transfer	Torque Nm max.	Radial load N max.	Material
P0395.SV014-020	14	14	20	12,52 to 12,59	12,70 to 12,77	8.00	4000	Stainless
P0395.SV015-006	15	15	6	13,52 to 13,59	13,70 to 13,77	3.70	1200	Stainless
P0395.SV015-008	15	15	8	13,52 to 13,59	13,70 to 13,77	3.90	1600	Stainless
P0395.SV015-010	15	15	10	13,52 to 13,59	13,70 to 13,77	4.80	2025	Stainless
P0395.SV015-012	15	15	12	13,52 to 13,59	13,70 to 13,77	6.80	2650	Stainless
P0395.SV015-014	15	15	14	13,52 to 13,59	13,70 to 13,77	8.90	2950	Stainless
P0395.SV015-016	15	15	16	13,52 to 13,59	13,70 to 13,77	11.00	3400	Stainless
P0395.SV015-019	15	15	19	13,52 to 13,59	13,70 to 13,77	12.50	3900	Steel
P0395.SV016-010	16	16	10	14,52 to 14,59	14,70 to 14,77	7.00	2600	Stainless
P0395.SV016-014	16	16	14	14,52 to 14,59	14,70 to 14,77	10.50	3100	Stainless
P0395.SV016-016	16	16	16	14,52 to 14,59	14,70 to 14,77	12.00	3500	Stainless
P0395.SV017-006	17	17	6	15,52 to 15,59	15,70 to 15,77	3.90	1500	Stainless
P0395.SV017-008	17	17	8	15,52 to 15,59	15,70 to 15,77	4.80	1800	Stainless
P0395.SV017-010	17	17	10	15,52 to 15,59	15,70 to 15,77	8.00	2650	Stainless
P0395.SV017-012	17	17	12	15,52 to 15,59	15,70 to 15,77	10.00	2800	Stainless
P0395.SV017-014	17	17	14	15,52 to 15,59	15,70 to 15,77	12.00	3200	Stainless
P0395.SV017-016	17	17	16	15,52 to 15,59	15,70 to 15,77	14.00	3650	Stainless
P0395.SV018-010	18	18	10	16,52 to 16,59	16,70 to 16,77	9.00	2650	Steel
P0395.SV018-016	18	18	16	16,52 to 16,59	16,70 to 16,77	15.00	3900	Stainless
P0395.SV018-022	18	18	22	16,52 to 16,59	16,70 to 16,77	21.00	5600	Stainless
P0395.SV019-010	19	19	10	17,52 to 17,59	17,70 to 17,77	10.00	2800	Stainless
P0395.SV019-019	19	19	19	17,52 to 17,59	17,70 to 17,77	19.00	4900	Stainless
P0395.SV019-022	19	19	22	17,52 to 17,59	17,70 to 17,77	22.00	6000	Stainless
P0395.SV020-006	20	20	6	18,02 to 18,11	18,25 to 18,33	7.00	1600	Stainless
P0395.SV020-007	20	20	7	18,02 to 18,11	18,25 to 18,33	8.00	1800	Stainless
P0395.SV020-008	20	20	8	18,02 to 18,11	18,25 to 18,33	9.00	2200	Stainless
P0395.SV020-010	20	20	10	18,02 to 18,11	18,25 to 18,33	12.00	2900	Stainless
P0395.SV020-012	20	20	12	18,02 to 18,11	18,25 to 18,33	15.00	3750	Stainless
P0395.SV020-014	20	20	14	18,02 to 18,11	18,25 to 18,33	18.00	4600	Stainless
P0395.SV020-015	20	20	15	18,02 to 18,11	18,25 to 18,33	19.00	5200	Stainless
P0395.SV020-018	20	20	18	18,02 to 18,11	18,25 to 18,33	23.00	5900	Stainless
P0395.SV020-020	20	20	20	18,02 to 18,11	18,25 to 18,33	25.00	6850	Stainless
P0395.SV020-022	20	20	22	18,02 to 18,33	18,25 to 18,33	28.00	7700	Stainless
P0395.SV022-012	22	22	12	20,02 to 20,11	20,25 to 20,33	18.00	4450	Stainless
P0395.SV022-015	22	22	15	20,02 to 20,11	20,25 to 20,33	26.00	5550	Stainless
P0395.SV022-022	22	22	22	20,02 to 20,11	20,25 to 20,33	33.00	8250	Stainless
P0395.SV024-010	24	24	10	22,02 to 22,11	22,25 to 22,33	30.00	5950	Stainless
P0395.SV024-015	24	24	15	22,02 to 22,11	22,25 to 22,33	30.00	5950	Stainless
P0395.SV024-022	24	24	22	22,02 to 22,11	22,25 to 22,33	40.00	9000	Stainless
P0395.SV024-024	24	24	24	22,02 to 22,11	22,25 to 22,33	48.00	10200	Stainless
P0395.SV025-008	25	25	8	23,02 to 23,11	23,25 to 23,33	15.00	3000	Stainless
P0395.SV025-010	25	25	10	23,02 to 23,11	23,25 to 23,33	20.00	3850	Stainless
P0395.SV025-012	25	25	12	23,02 to 23,11	23,25 to 23,33	22.00	4900	Stainless
P0395.SV025-015	25	25	15	23,02 to 23,11	23,25 to 23,33	28.00	6450	Stainless
P0395.SV025-018	25	25	18	23,02 to 23,11	23,25 to 23,33	38.00	7200	Stainless
P0395.SV025-020	25	25	20	23,02 to 23,11	23,25 to 23,33	41.00	7575	Stainless
P0395.SV025-021	25	25	21	23,02 to 23,11	23,25 to 23,33	43.00	7700	Stainless
P0395.SV025-025	25	25	25	23,02 to 23,11	23,25 to 23,33	53.00	10600	Stainless
P0395.SV028-012	28	28	12	26,02 to 26,11	26,25 to 26,33	30.00	5750	Stainless
P0395.SV028-020	28	28	20	26,02 to 26,11	26,25 to 26,33	53.00	10600	Stainless
P0395.SV028-022	28	28	22	26,02 to 26,11	26,25 to 26,33	60.00	11300	Stainless
P0395.SV028-025	28	28	25	26,02 to 26,11	26,25 to 26,33	71.00	12000	Stainless
P0395.SV030-008	30	30	8	28,02 to 28,11	28,25 to 28,33	25.00	2800	Stainless
P0395.SV030-010	30	30	10	28,02 to 28,11	28,25 to 28,33	29.00	4200	Stainless
P0395.SV030-012	30	30	12	28,02 to 28,11	28,25 to 28,33	35.00	5400	Stainless
P0395.SV030-015	30	30	15	28,02 to 28,11	28,25 to 28,33	47.00	7000	Stainless
P0395.SV030-020	30	30	20	28,02 to 28,11	28,25 to 28,33	60.00	10200	Stainless
P0395.SV030-023	30	30	23	28,02 to 28,11	28,25 to 28,33	70.00	12200	Stainless
P0395.SV030-030	30	30	30	28,02 to 28,11	28,25 to 28,33	95.00	16600	Stainless
P0395.SV032-012	32	32	12	30,02 to 30,11	30,25 to 30,33	44.00	5800	Stainless
P0395.SV032-016	32	32	16	30,02 to 30,11	30,25 to 30,33	56.00	8400	Stainless
P0395.SV032-030	32	32	30	30,02 to 30,11	30,25 to 30,33	110.00	17000	Stainless
P0395.SV035-010	35	35	10	33,03 to 33,13	33,25 to 33,40	40.00	4000	Stainless
P0395.SV035-012	35	35	12	33,03 to 33,13	33,25 to 33,40	48.00	4600	Stainless
P0395.SV035-015	35	35	15	33,03 to 33,13	33,25 to 33,40	60.00	4950	Stainless
P0395.SV035-025	35	35	25	33,03 to 33,13	33,25 to 33,40	110.00	8650	Stainless
P0395.SV035-030	35	35	30	33,03 to 33,13	33,25 to 33,40	130.00	9800	Stainless



# Tolerance Rings - Shaft Variable- SV

SV type, A2 Stainless

## Tolerance Rings

Order No.	d <sub>1</sub> tol. h9	d <sub>1</sub> nom.	l	d <sub>2</sub> for bearings	d <sub>2</sub> for torque transfer	Torque Nm max.	Radial load N max.	Material
P0395.SV036-012	36	36	12	34,03 to 34,13	34,30 to 34,40	55.00	4800	Stainless
P0395.SV036-015	36	36	15	34,03 to 34,13	34,30 to 34,40	63.00	5100	Stainless
P0395.SV036-030	36	36	30	34,03 to 34,13	34,30 to 34,40	135.00	10300	Stainless
P0395.SV040-010	40	40	10	38,03 to 38,13	38,30 to 38,40	55.00	3800	Stainless
P0395.SV040-012	40	40	12	38,03 to 38,13	38,30 to 38,40	63.00	4500	Stainless
P0395.SV040-015	40	40	15	38,03 to 38,13	38,30 to 38,40	83.00	5400	Stainless
P0395.SV040-023	40	40	23	38,03 to 38,13	38,30 to 38,40	104.00	8500	Steel
P0395.SV040-030	40	40	30	38,03 to 38,13	38,30 to 38,40	180.00	12000	Stainless
P0395.SV045-010	45	45	10	43,03 to 43,13	43,30 to 43,40	68.00	4250	Stainless
P0395.SV045-015	45	45	15	43,03 to 43,13	43,30 to 43,40	102.00	6230	Stainless
P0395.SV045-020	45	45	20	43,03 to 43,13	43,30 to 43,40	145.00	9400	Stainless
P0395.SV045-023	45	45	23	43,03 to 43,13	43,30 to 43,40	160.00	10100	Steel
P0395.SV045-025	45	45	25	43,03 to 43,13	43,30 to 43,40	200.00	11000	Stainless
P0395.SV045-030	45	45	30	43,03 to 43,13	43,30 to 43,40	230.00	13950	Stainless
P0395.SV050-012	50	50	12	48,03 to 48,13	48,30 to 48,40	107.00	5750	Stainless
P0395.SV050-016	50	50	16	48,03 to 48,13	48,30 to 48,40	141.00	7565	Steel
P0395.SV050-020	50	50	20	48,03 to 48,13	48,30 to 48,40	186.00	9575	Stainless
P0395.SV050-030	50	50	30	48,03 to 48,13	48,30 to 48,40	310.00	13400	Stainless
P0395.SV050-040	50	50	40	48,03 to 48,13	48,30 to 48,40	350.00	18000	Steel
P0395.SV055-010	55	55	10	52,53 to 52,65	52,85 to 52,97	125.00	4900	Stainless
P0395.SV055-014	55	55	14	52,53 to 52,65	52,85 to 52,97	175.00	6750	Stainless
P0395.SV055-015	55	55	15	52,53 to 52,65	52,85 to 52,97	185.00	6800	Stainless
P0395.SV055-029	55	55	29	52,53 to 52,65	52,85 to 52,97	330.00	12500	Stainless
P0395.SV060-020	60	60	20	57,53 to 57,65	57,85 to 57,97	310.00	12000	Stainless
P0395.SV060-022	60	60	22	57,53 to 57,65	57,85 to 57,97	350.00	13200	Stainless
P0395.SV060-028	60	60	28	57,53 to 57,65	57,85 to 57,97	420.00	18400	Stainless
P0395.SV065-020	65	65	20	62,53 to 62,65	62,85 to 62,97	480.00	14800	Stainless
P0395.SV065-033	65	65	33	62,53 to 62,65	62,85 to 62,97	650.00	21000	Stainless
P0395.SV080-012	80	80	12	77,53 to 77,65	77,85 to 77,97	550.00	15000	Stainless
P0395.SV080-017	80	80	17	77,53 to 77,65	77,85 to 77,97	700.00	16500	Stainless
P0395.SV085-022	85	85	22	82,04 to 82,18	82,44 to 82,58	800.00	19000	Stainless
P0395.SV090-024	90	90	24	87,04 to 87,18	87,44 to 87,58	850.00	22000	Stainless
P0395.SV090-030	90	90	30	87,04 to 87,18	87,44 to 87,58	1100.00	27000	Steel
P0395.SV100-024	100	100	24	97,04 to 97,18	97,44 to 97,58	1350.00	28000	Steel
P0395.SV100-036	100	100	36	97,04 to 97,18	97,44 to 97,58	1900.00	36000	Steel
P0395.SV140-015	140	140	15	136,04 to 136,20	136,52 to 136,68	1200.00	25500	Stainless
P0395.SV140-022	140	140	22	136,04 to 136,20	136,52 to 136,68	1250.00	32000	Steel

TOLERANCE RINGS