

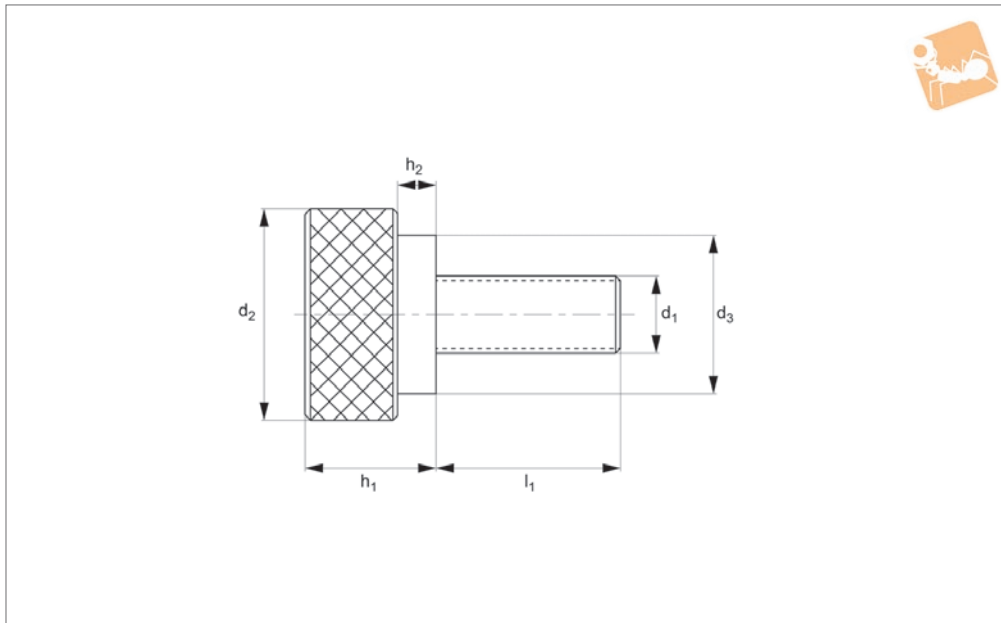


# Thumb Screws with Collar

stainless 303 series



## Thumb Screws



**P0438.A2**

THUMB SCREWS

### Material

Stainless steel (AISI 303 series 1.4305).

### Technical Notes

Stainless steel AISI 303 is a hard stainless

steel which may (in harsh conditions) exhibit slight signs of rusting. Typically used in food and pharmaceutical applications.

Order No.	d <sub>1</sub>	l <sub>1</sub>	d <sub>2</sub>	d <sub>3</sub>	h <sub>1</sub>	h <sub>2</sub>
P0438.030-008-A2	M 3	8	10	6.5	8	2.5
P0438.030-010-A2	M 3	10	10	6.5	8	2.5
P0438.030-012-A2	M 3	12	10	6.5	8	2.5
P0438.030-014-A2	M 3	14	10	6.5	8	2.5
P0438.040-008-A2	M 4	8	12	9.5	8	2.5
P0438.040-010-A2	M 4	10	12	9.5	8	2.5
P0438.040-012-A2	M 4	12	12	9.5	8	2.5
P0438.040-014-A2	M 4	14	12	9.5	8	2.5
P0438.050-010-A2	M 5	10	12	9.5	8	2.5
P0438.050-012-A2	M 5	12	12	9.5	8	2.5
P0438.050-014-A2	M 5	14	12	9.5	8	2.5
P0438.050-016-A2	M 5	16	12	9.5	8	2.5
P0438.060-010-A2	M 6	10	14	9.5	10	3.5
P0438.060-012-A2	M 6	12	14	9.5	10	3.5
P0438.060-016-A2	M 6	16	14	9.5	10	3.5
P0438.060-020-A2	M 6	20	14	9.5	10	3.5