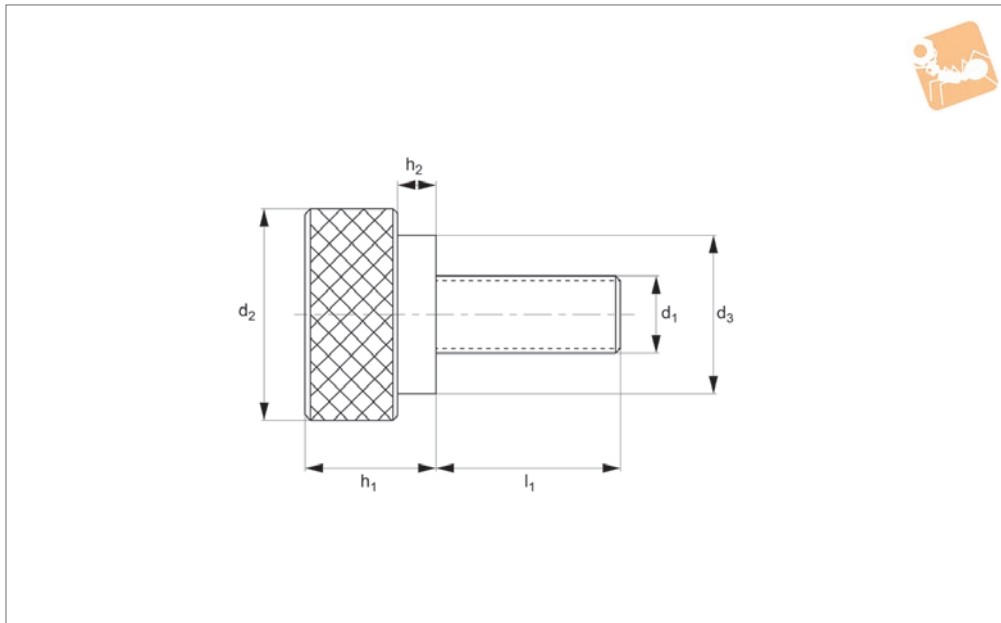




Thumb Screws with Collar

stainless 316 series



P0438.A4

THUMB SCREWS

Material

Stainless steel (AISI 316 series 1.440).

Technical Notes

Stainless steel AISI 316 is a softer stainless

steel, of a higher grade. Very resistant to corrosion - even in extremely harsh conditions (such as salt, water etc.) but more expensive.

Order No.	d ₁	l ₁	d ₂	d ₃	h ₁	h ₂
P0438.030-008-A4	M 3	8	10	6.5	8	2.5
P0438.030-010-A4	M 3	10	10	6.5	8	2.5
P0438.030-012-A4	M 3	12	10	6.5	8	2.5
P0438.030-014-A4	M 3	14	10	6.5	8	2.5
P0438.040-008-A4	M 4	8	12	9.5	8	2.5
P0438.040-010-A4	M 4	10	12	9.5	8	2.5
P0438.040-012-A4	M 4	12	12	9.5	8	2.5
P0438.040-014-A4	M 4	14	12	9.5	8	2.5
P0438.050-010-A4	M 5	10	12	9.5	8	2.5
P0438.050-012-A4	M 5	12	12	9.5	8	2.5
P0438.050-014-A4	M 5	14	12	9.5	8	2.5
P0438.050-016-A4	M 5	16	12	9.5	8	2.5
P0438.060-010-A4	M 6	10	14	9.5	10	3.5
P0438.060-012-A4	M 6	12	14	9.5	10	3.5
P0438.060-016-A4	M 6	16	14	9.5	10	3.5
P0438.060-020-A4	M 6	20	14	9.5	10	3.5