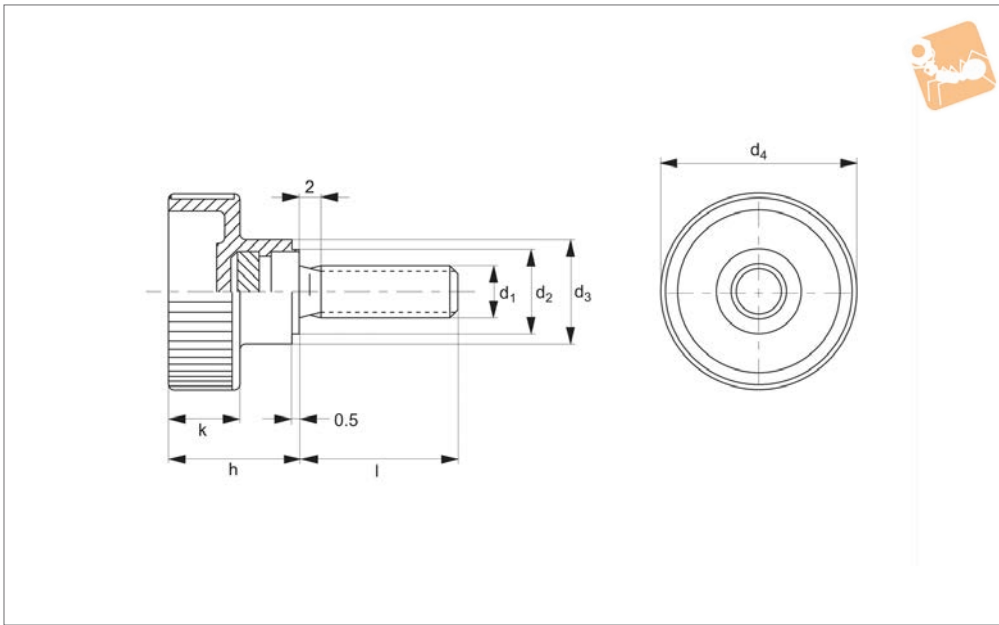


Knurled Thumb Screws

plastic - steel grub screw

Thumb Screws



P0440.ZP

THUMB SCREWS

Material

Handle: thermoplastic PA, black.
Screw: steel, galvanised

Technical Notes

Temperature range from -30°C up to +80°C.

Order No.	d ₁	d ₂	d ₃	d ₄	h	k	l	Weight g
P0440.040-015-ZP	M 4	9	12	19	14.0	8.0	15	6.0
P0440.040-020-ZP	M 4	9	12	19	14.0	8.0	20	7.0
P0440.050-010-ZP	M 5	9	12	19	14.0	8.0	10	6.0
P0440.050-020-ZP	M 5	9	12	19	14.0	8.0	20	7.0
P0440.050-025-ZP	M 5	9	12	19	14.0	8.0	25	8.0
P0440.060-016-ZP	M 6	12	14	24	16.5	9.5	16	8.0
P0440.060-020-ZP	M 6	12	14	24	16.5	9.5	20	12.0
P0440.060-030-ZP	M 6	12	14	24	16.5	9.5	30	13.0
P0440.080-020-ZP	M 8	14	16	30	19.5	11.0	20	16.0
P0440.080-025-ZP	M 8	14	16	30	19.5	11.0	25	17.0
P0440.080-030-ZP	M 8	14	16	30	19.5	11.0	30	23.0
P0440.100-025-ZP	M10	16	18	36	22.5	12.5	25	31.0
P0440.100-030-ZP	M10	16	18	36	22.5	12.5	30	33.0
P0440.100-040-ZP	M10	16	18	36	22.5	12.5	40	38.0