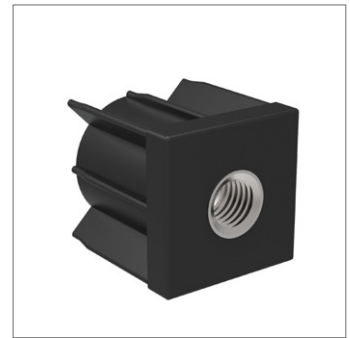
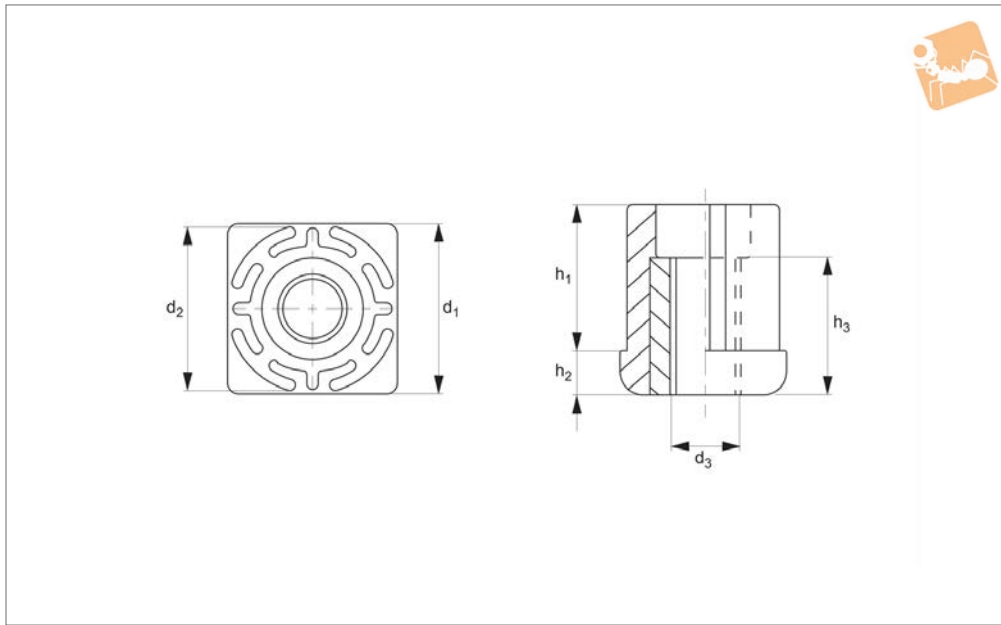
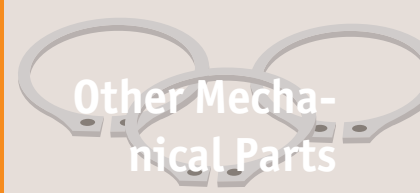




# Threaded Plastic Insert for Hollow with stainless steel bush



**P1975**

OTHER MECHANICAL PARTS

### Material

Bush: stainless steel, type AISI 303.

Moulding: polyamide reinforced nylon.

| Order No.        | Outerbox $d_1$ | Innerbox $d_2$ | $d_3$ | $h_1$ | $h_2$ | $h_3$ | Load capacity for static load<br>kg<br>max. |
|------------------|----------------|----------------|-------|-------|-------|-------|---|
| <b>P1975.112</b> | 30x30x1,5      | 27             | M12   | 35    | 8     | 24    | 500   |
| <b>P1975.210</b> | 40x40x1,5      | 37             | M10   | 35    | 8     | 24    | 1000  |



## A Range of features to suit your application

### Product selection

To ensure you select the most suitable levelling feet for your application consider the following questions:

- Tilting or fixed?
- Material required - steel, stainless or plastic?
- Load carrying capacity - light, medium or heavy duty?  
(Review the quoted load capacities in the individual product tables).
- Bolt down feature required?
- Threaded or plastic insert required for mounting?
- Optional extras: hygiene seal, rubber pad, (subject to minimum quantity and selected model).

### Key types



Fixed feet



Articulating levelling feet



Machine mounts



Fulcrum screw

### Available features



Articulation



Standard nylon base



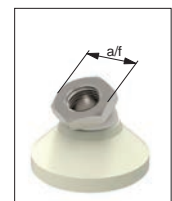
Anti-slip base



Bolt down base



Hygienic seal



Hex for easy installation

### Materials



Steel thread - Nylon base



Stainless thread - Nylon base



Steel thread - Steel base



Stainless thread - Stainless base

### Mounting inserts



Weldable insert



Hollow section insert



Hollow section bushed insert

### Additional technical information



▶ For applications under greater loads and requiring increased precision of adjustment see our range of Precision Height Adjusters.

▶ For applications exposed to extreme vibrations see our range of Anti-Vibration Mounts.

