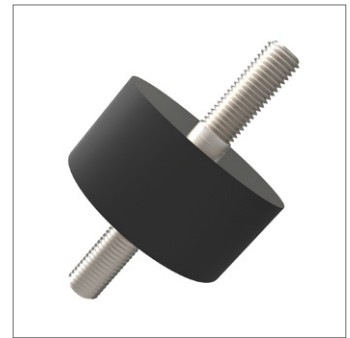
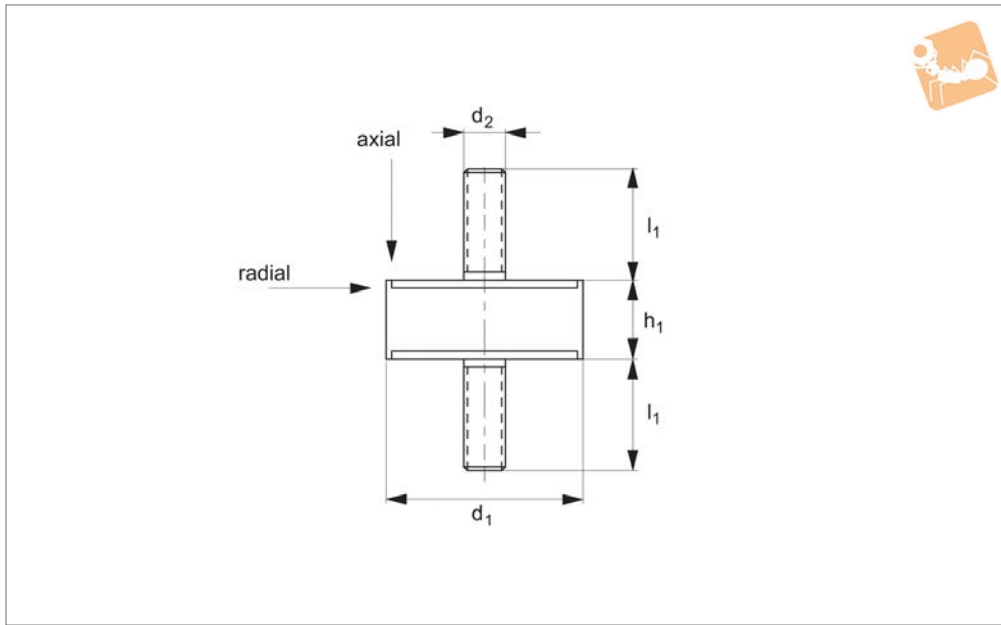
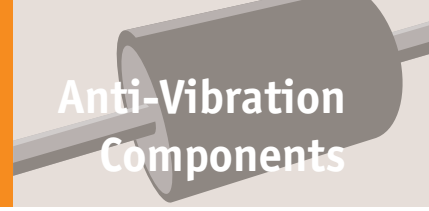




Anti-vibration Cylinders

stainless male:male

Anti-Vibration Components



P2005

ANTI-VIBRATION COMPONENTS

Material

Rubber on stainless steel, A2 (rubber hardness - 55 Shore A).

steel - see part no. P2004.

Tips

These cylinders are used to reduce vibration by allowing some movement (in axial and radial as shown).

Typically used in machinery, compressors, air conditioning units, light engineering equipment etc.

Technical Notes

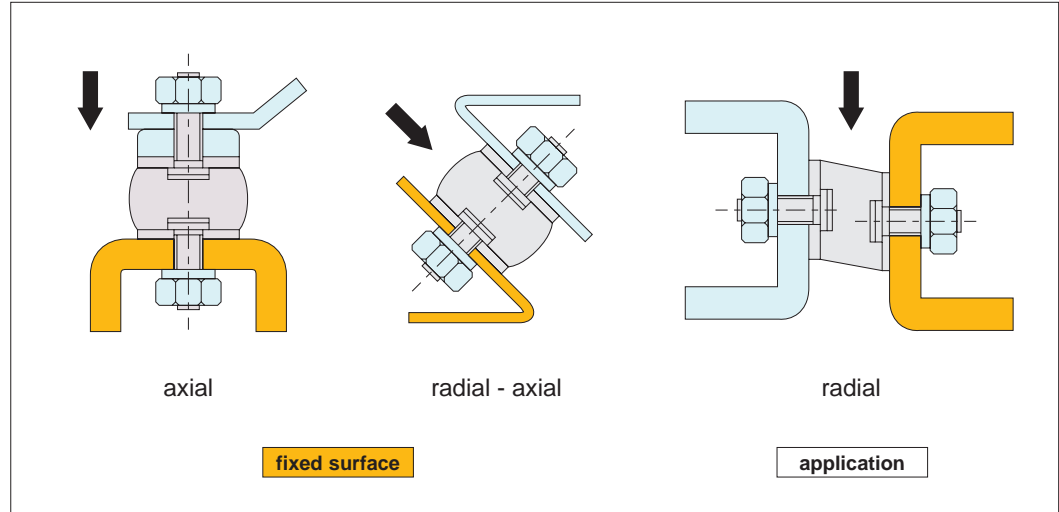
For rubber mounted on silver zinc plated

Order No.	d ₁	h ₁	d ₂	l ₁	Compression max.	Axial load kgf max.	Radial load kgf max.
P2005.020-020	20	20	M 6	18	4	25	4.5
P2005.020-025	20	25	M 6	18	5	25	4.0
P2005.025-025	25	25	M 8	18	5	40	7.5
P2005.025-030	25	30	M 8	18	6	35	7.0
P2005.030-030	30	30	M 8	18	6	80	10.5
P2005.030-040	30	40	M 8	18	8	60	13.0
P2005.035-035	35	35	M 8	18	8	90	13.0
P2005.040-030	40	30	M10	27	8	150	21.0
P2005.040-040	40	40	M10	27	10	120	22.0
P2005.050-030	50	30	M10	27	8	250	29.0
P2005.050-040	50	40	M10	27	10	220	29.0
P2005.050-050	50	50	M10	27	12	200	29.0
P2005.060-045	60	45	M10	27	10	300	42.0
P2005.060-060	60	60	M10	27	12	250	44.0



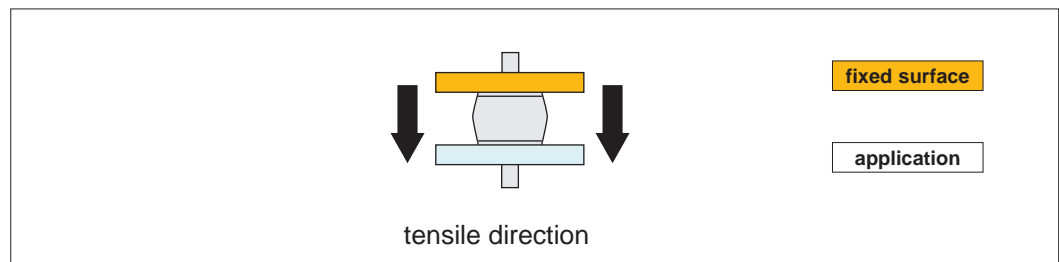
Acceptable loads

Cylindrical mounts are never to be used in tension, they should only be used in axial or radial. Radial loads are however considerably less than axial loads. Parts with small diameters (d_1) and relatively long lengths (h) cannot accept radial loads.



Installation

Incorrect installation



Correct installation

The height of the insulator may vary as the rubber is compressed under load.

Do not remove the rubber burr around the edge of the metal, this could cause detachment of rubber from the metal studs.

