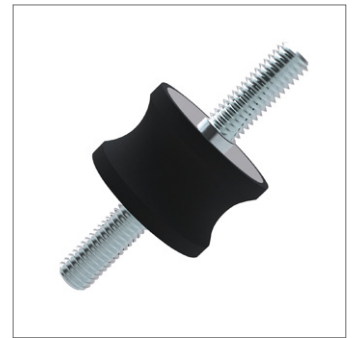
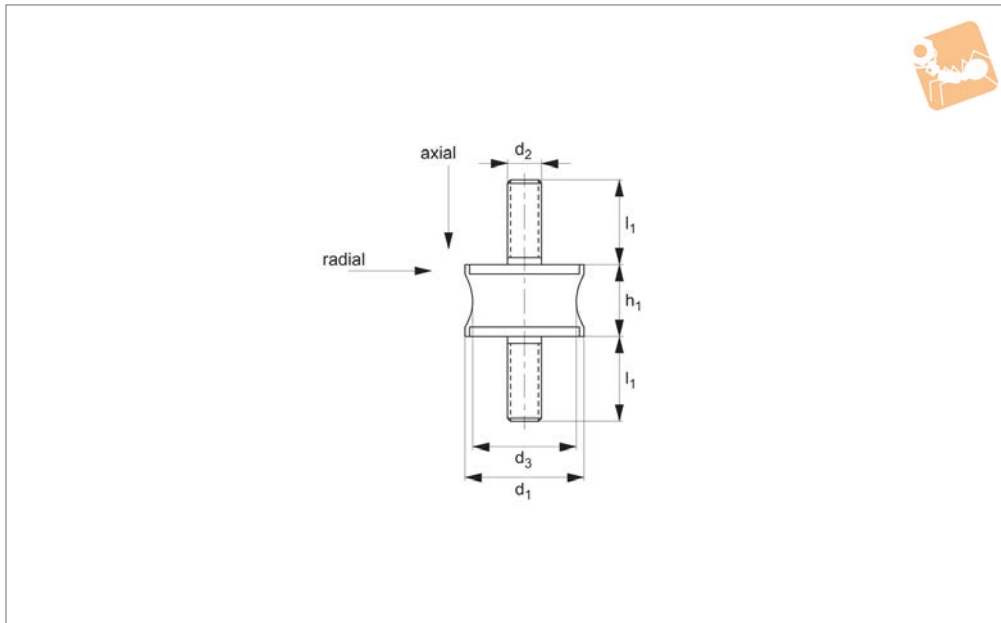
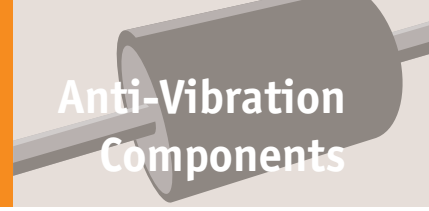




Anti-vibration Cylinders Waisted male

Anti-Vibration Components



P2010

ANTI-VIBRATION COMPONENTS

Material

Rubber on silver zinc plated steel (rubber hardness - 55 Shore A). Available in stainless steel on request.

Technical Notes

For rubber mounted on silver zinc plated

steel see part no. P2012 (female:female) or P2014 (male:female).

Tips

These cylinders are used to reduce vibration by allowing some movement (in axial and radial as shown in drawing).

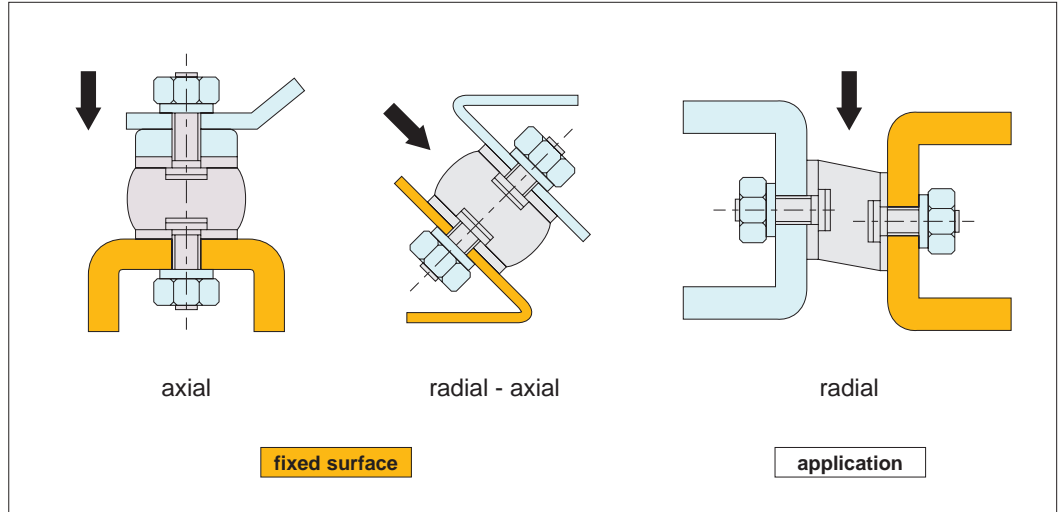
Typically used in machinery, compressors, air conditioning units, light engineering equipment etc.

Order No.	d ₁	h ₁	d ₂	d ₃	l ₁	Axial load kgf max.	Radial load N max.
P2010.012-014	12	14	M 4	7	10	2.5	1.0
P2010.020-015	20	15	M 6	14	13-16	10	2.5
P2010.020-020	20	20	M 6	12	18	15	2.5
P2010.025-020	25	20	M 6	18	18	25	6.0
P2010.030-020	30	20	M 8	25	23	35	6.0
P2010.030-025	30	25	M 8	24	20	40	6.0
P2010.040-028	40	28	M10	22	25	60	12
P2010.045-050	45	50	M 8	25	23	60	-
P2010.050-030	50	30	M10	42	28	120	25
P2010.057-044	57	44	M 8	25	20	40	-
P2010.060-036	60	36	M10	37	30	90	-
P2010.060-043	60	43	M10	35	30	70	12
P2010.060-060	60	60	M10	51	30	150	30
P2010.070-056	70	56	M12	50	35	220	-
P2010.080-063	80	63	M14	70	350	-	-
P2010.080-070	80	70	M14	70	50	170	55
P2010.090-077	90	77	M16	79	45	500	-
P2010.095-076	95	76	M16	80	46	250	-
P2010.108-085	108	85	M16	95	45	800	-
P2010.130-096	130	96	M16	115	45	1400	-



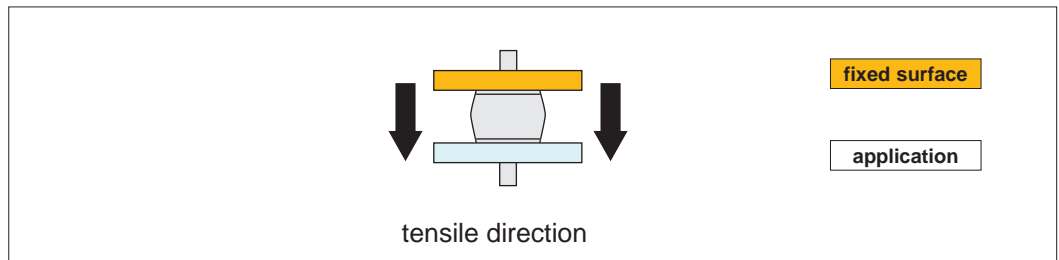
Acceptable loads

Cylindrical mounts are never to be used in tension, they should only be used in axial or radial. Radial loads are however considerably less than axial loads. Parts with small diameters (d_1) and relatively long lengths (h) cannot accept radial loads.



Installation

Incorrect installation



Correct installation

The height of the insulator may vary as the rubber is compressed under load.

Do not remove the rubber burr around the edge of the metal, this could cause detachment of rubber from the metal studs.

