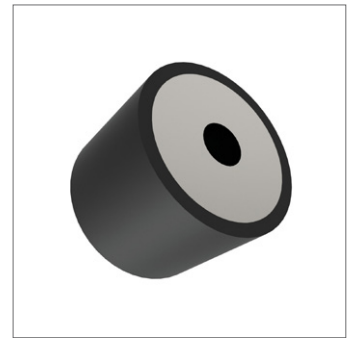
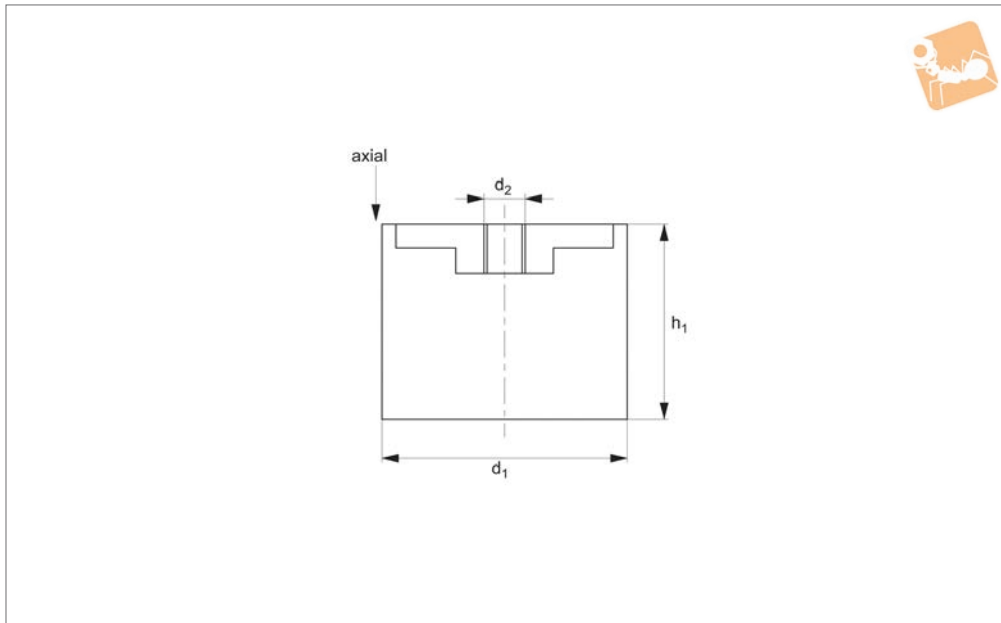




Anti-vibration Feet female

Anti-Vibration Components



P2021

ANTI-VIBRATION COMPONENTS

Material

Rubber on silver zinc plated steel (rubber hardness - 55 Shore A).

Tips

These feet or bumpers reduce shock and vibration.

Used widely as shock absorbers and feet for machine elements.

Order No.	d ₁	h ₁	d ₂	Compression max.	Axial load kgf max.
P2021.010-010	10	10	M 4	2	10
P2021.010-015	10	15	M 4	3	8
P2021.013-010	13	10	M 5	1.5	12
P2021.013-015	13	15	M 5	3	10
P2021.013-020	13	20	M 5	3.5	20
P2021.016-008	16	8	M 5	1.5	15
P2021.016-010	16	10	M 5	1.5	20
P2021.016-015	16	15	M 5	3	20
P2021.016-020	16	20	M 5	4	20
P2021.016-025	16	25	M 5	5	15
P2021.020-010	20	10	M 6	2	30
P2021.020-015	20	15	M 6	3	25
P2021.020-020	20	20	M 6	4	25
P2021.020-025	20	25	M 6	5	25
P2021.020-030	20	30	M 6	7	25
P2021.025-010	25	10	M 6	1.5	50
P2021.025-015	25	15	M 6	3	50
P2021.025-020	25	20	M 6	4	50
P2021.025-022	25	22	M 6	4	45
P2021.025-025	25	25	M 6	5	40
P2021.025-030	25	30	M 6	6	35
P2021.030-010	30	10	M 8	2	90
P2021.030-015	30	15	M 8	3	90
P2021.030-020	30	20	M 8	4	90
P2021.030-022	30	22	M 8	4	90
P2021.030-025	30	25	M 8	5	85
P2021.030-030	30	30	M 8	6	80
P2021.030-040	30	40	M 8	8	60
P2021.035-035	35	35	M 8	8	90
P2021.040-020	40	20	M 8	4	160
P2021.040-025	40	25	M 8	6	155
P2021.040-028	40	28	M 8	6	150
P2021.040-030	40	30	M 8	8	150
P2021.040-035	40	35	M 8	8	120



Order No.	d ₁	h ₁	d ₂	Compression max.	Axial load kgf max.
P2021.040-040	40	40	M 8	10	120
P2021.040-040-10	40	40	M10	10	120
P2021.040-045	40	45	M 8	12	110
P2021.050-040	50	40	M10	10	220
P2021.050-045	50	45	M10	11	210
P2021.050-050	50	50	M10	12	200
P2021.050-055	50	55	M10	13	200
P2021.100-060	100	60	M16	15	1100
P2021.100-075	100	75	M16	17	1000
P2021.120-050	120	50	M16	9	1500
P2021.120-075	120	75	M16	13	1200
P2021.120-100	120	100	M16	16	1000
P2021.130-040	130	40	M16	6	1900
P2021.130-050	130	50	M16	9	1600
P2021.130-075	130	75	M16	13	1450
P2021.130-100	130	100	M16	16	1200
P2021.150-040	150	40	M20	9	1800
P2021.150-060	150	60	M20	14	2200
P2021.150-075	150	75	M20	16	2000
P2021.150-100	150	100	M20	16	1400
P2021.150-120	150	120	M20	16	1300
P2021.150-140	150	140	M20	16	1200
P2021.050-020	50	20	M10	4	250
P2021.050-025	50	25	M10	5.5	250
P2021.050-030	50	30	M10	8	250
P2021.050-035	50	35	M10	9	230
P2021.075-045	75	45	M12	10	500
P2021.060-045	60	45	M10	10	300
P2021.080-050	80	50	M14	10	750
P2021.070-070	70	70	M10	13	300
P2021.075-055	75	55	M12	13	450
P2021.080-070	80	70	M14	15	550
P2021.095-040	95	40	M16	8	1200
P2021.095-055	95	55	M16	11	1000
P2021.095-060	95	60	M16	12	800
P2021.095-075	95	75	M16	13	700
P2021.060-060	60	60	M10	12	250
P2021.070-035	70	35	M10	7	450
P2021.075-025	75	25	M12	5	650
P2021.060-025	60	25	M10	5	400
P2021.060-035	60	35	M10	7	350
P2021.080-030	80	30	M14	5.5	900
P2021.080-040	80	40	M14	9	600
P2021.075-040	75	40	M12	9	500
P2021.100-040	100	40	M16	8	1200
P2021.070-050	70	50	M10	10	350



General Anti-vibration Cylinders

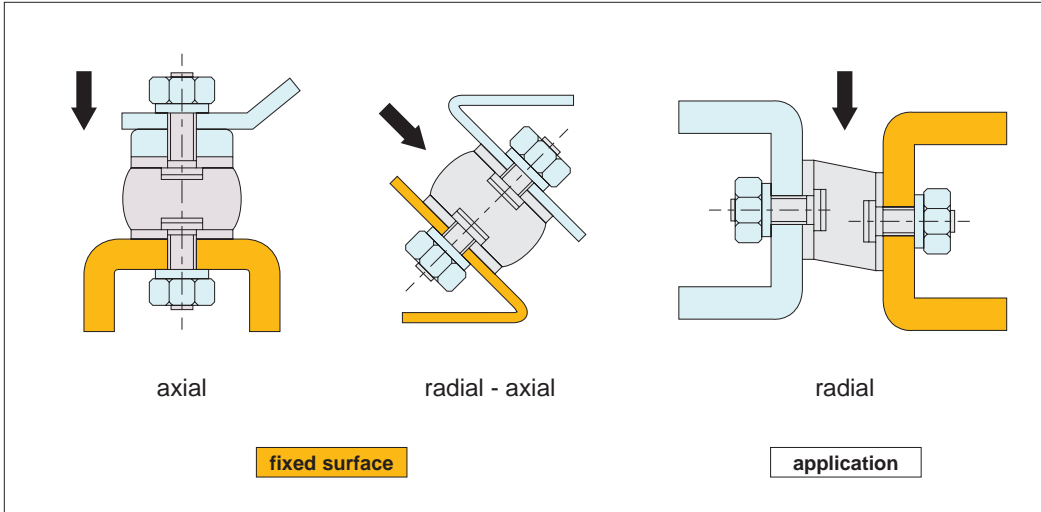
installation methods for cylinders

61040 - 61242

Materials Handling

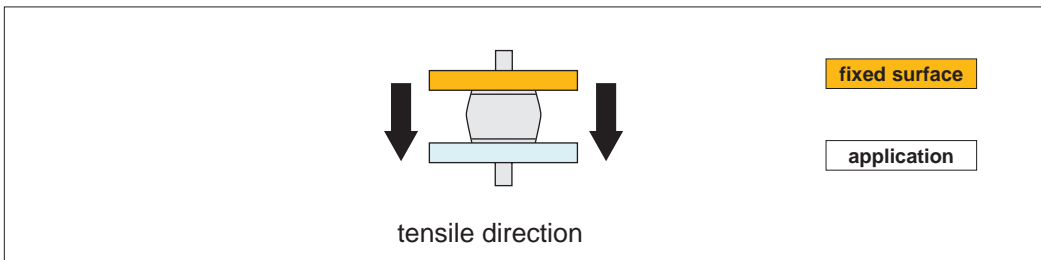
Acceptable loads

Cylindrical mounts are never to be used in tension, they should only be used in axial or radial. Radial loads are however considerably less than axial loads. Parts with small diameters (d_1) and relatively long lengths (h) cannot accept radial loads.



Installation

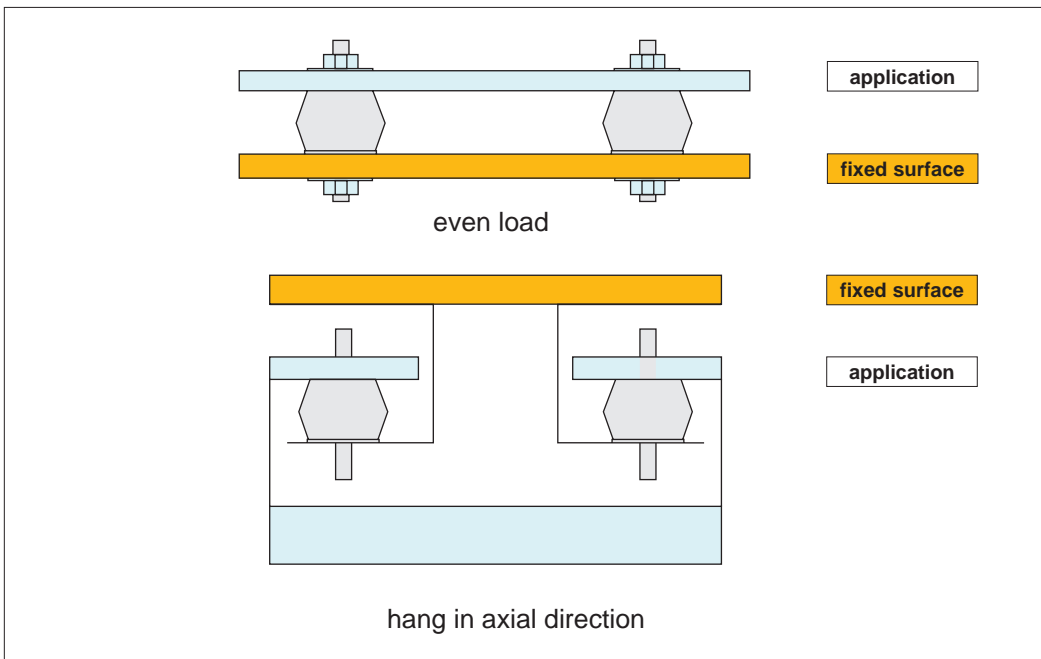
Incorrect installation



Correct installation

The height of the insulator may vary as the rubber is compressed under load.

Do not remove the rubber burr around the edge of the metal, this could cause detachment of rubber from the metal studs.



ANTI-VIBRATION COMPONENTS

ov-W61040-AP2004-T-W61242-AP2025-T-rmh-Updated-28-10-2022