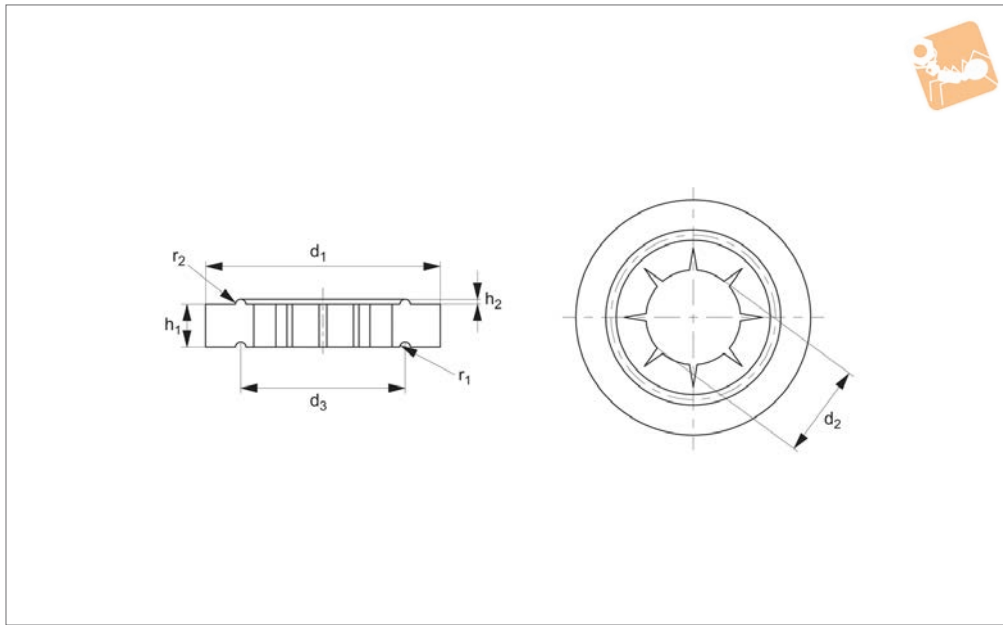




Anti-vibration Rings

internal star design

Anti-Vibration Components



P2082

ANTI-VIBRATION COMPONENTS

Material

Rubber on silver zinc plated steel (rubber hardness - 65 Shore A).

Order No.	d ₁	d ₂	d ₃	h ₁	h ₂	r ₁	r ₂	Compression max.	Axial load kgf max.
P2082.162	162	66	114	30	2.5	4.5	2.5	5	2000
P2082.170	170	95	125	23	2.5	5	2.5	4	2000
P2082.210	210	88	164	24	2	4	2	4.5	6000